



**Hewlett Packard**  
Enterprise

## **HPE ProLiant DL380 Gen10 Server User Guide**

### **Abstract**

This document is for the person who installs, administers, and troubleshoots servers and storage systems. Hewlett Packard Enterprise assumes you are qualified in the servicing of computer equipment and trained in recognizing hazards in products with hazardous energy levels.

## Notices

The information contained herein is subject to change without notice. The only warranties for Hewlett Packard Enterprise products and services are set forth in the express warranty statements accompanying such products and services. Nothing herein should be construed as constituting an additional warranty. Hewlett Packard Enterprise shall not be liable for technical or editorial errors or omissions contained herein.

Confidential computer software. Valid license from Hewlett Packard Enterprise required for possession, use, or copying. Consistent with FAR 12.211 and 12.212, Commercial Computer Software, Computer Software Documentation, and Technical Data for Commercial Items are licensed to the U.S. Government under vendor's standard commercial license.

Links to third-party websites take you outside the Hewlett Packard Enterprise website. Hewlett Packard Enterprise has no control over and is not responsible for information outside the Hewlett Packard Enterprise website.

## Acknowledgments

Intel® and Xeon® are trademarks of Intel Corporation in the United States and other countries.

Microsoft® and Windows® are either registered trademarks or trademarks of Microsoft Corporation in the United States and/or other countries.



# Contents

<b>Component identification.....</b>	<b>8</b>
Front panel components.....	8
Front panel LEDs and buttons.....	10
UID button functionality.....	14
Front panel LED power fault codes.....	14
Systems Insight Display LEDs.....	14
Systems Insight Display combined LED descriptions.....	16
Rear panel components.....	17
Rear panel LEDs.....	18
System board components.....	19
System maintenance switch descriptions.....	20
DIMM label identification.....	21
DIMM slot locations.....	22
NVDIMM identification.....	23
NVDIMM LED identification.....	24
HPE Persistent Memory module label identification.....	25
Processor, heatsink, and socket components.....	26
Drives.....	26
SAS/SATA drive components and LEDs.....	26
Smart Carrier NVMe (SCN) drive LED definitions.....	27
uFF drive components and LEDs.....	29
Fan bay numbering.....	30
Drive box identification.....	30
Drive bay numbering.....	32
Drive bay numbering: Smart Array controller.....	32
Drive bay numbering: SAS expander.....	34
Drive bay numbering: NVMe drives.....	36
uFF drive bay numbering.....	37
Riser components.....	38
HPE Flex Slot Power Supply with Integrated Battery Backup Unit components and LED.....	42
Checking the battery backup charge level.....	42
HPE 12G SAS Expander Card port numbering.....	43
HPE Smart Array P824i-p MR Gen10 Controller.....	44
HPE NS204i-p NVMe OS Boot Device components.....	45
HPE NS204i-p NVMe OS Boot Device LED definitions.....	45
HPE InfiniBand HDR/Ethernet 940QSFP 56x16 adapter LEDs.....	46
DSC-25 2-port SFP28 card ports and LEDs.....	46
<b>Operations.....</b>	<b>49</b>
Power up the server.....	49
Power down the server.....	49
Extending the server from the rack.....	49
Removing the server from the rack.....	50
Secure cables using the cable management arm.....	50
Release the cable management arm .....	51
Remove the access panel.....	52
Install the access panel.....	52



Removing the fan cage.....	53
Installing the fan cage.....	53
Removing the air baffle or midplane drive cage.....	54
Installing the air baffle.....	56
Removing a riser cage.....	56
Removing a riser slot blank.....	57
Removing the hard drive blank.....	58
Accessing the Systems Insight Display.....	58

## **Setup..... 60**

HPE support services.....	60
Set up the server.....	60
Operational requirements.....	63
Server warnings and cautions.....	66
Rack warnings.....	67
Electrostatic discharge.....	67
Server box contents.....	68
Installing hardware options .....	68
POST screen options.....	68
Installing or deploying an operating system.....	68
Registering the server.....	69

## **Hardware options installation..... 70**

Product QuickSpecs.....	70
Introduction.....	70
Installing a fan filter into the security bezel.....	70
Installing the bezel and bezel lock.....	71
Power supply options.....	71
Hot-plug power supply calculations.....	71
Installing a redundant hot-plug power supply.....	71
Energy pack options.....	73
HPE Smart Storage Battery.....	73
HPE Smart Storage Hybrid Capacitor.....	75
Drive options.....	77
Drive guidelines.....	77
Supported drive carriers.....	77
Installing a hot-plug SAS or SATA drive.....	78
Installing an NVMe drive.....	79
Installing a uFF drive and SCM drive carrier.....	79
Installing an M.2 drive.....	80
Fan options.....	81
Installing high-performance fans.....	82
Memory options.....	84
DIMM-processor compatibility.....	84
DIMM and NVDIMM population information.....	84
HPE SmartMemory speed information.....	84
Installing a DIMM.....	84
HPE 16GB NVDIMM option.....	86
HPE Scalable Persistent Memory (CTO only).....	89
HPE Persistent Memory option.....	90
Controller options.....	93
Installing a storage controller.....	93
Installing an HPE Smart Array P824i-p MR Gen10 controller in a configured server.....	94



Installing a Universal Media Bay.....	97
Drive cage options.....	99
Installing a front 8NVMe SSD Express Bay drive cage.....	99
Installing a front 6SFF SAS/SATA + 2NVMe Premium drive cage.....	101
Installing a front 8SFF SAS/SATA drive cage in box 1.....	104
Installing a front 8SFF SAS/SATA drive cage in box 2.....	106
Installing a front 2SFF NVMe/SAS/SATA Premium drive cage.....	107
Installing a midplane 4LFF SAS/SATA drive cage.....	110
Installing a rear 2SFF SAS/SATA drive cage in the primary or secondary riser.....	113
Installing a rear 2 SFF SAS/SATA drive cage over the power supplies.....	115
Installing a rear 3LFF SAS/SATA drive cage.....	118
Riser and riser cage options.....	120
Installing primary and secondary risers.....	120
Installing tertiary risers.....	122
Installing a secondary riser cage.....	123
Installing a tertiary riser cage.....	124
Installing the 2NVMe slimSAS riser option.....	126
Installing the 8NVMe slimSAS riser option.....	127
Expansion slots.....	128
Supported PCIe form factors.....	128
Installing expansion boards.....	129
Installing a 12G SAS Expander Card.....	131
Installing an accelerator or GPU.....	134
Installing the Pensando DSP DSC-25 2p SFP28 card with the iLO Sideband ALOM Module .....	138
Installing the HPE NS204i-p NVMe OS Boot Device option.....	142
Installing the chassis intrusion detection switch.....	145
Installing a rear serial port interface.....	146
Installing the Systems Insight Display.....	148
Installing a FlexibleLOM adapter.....	150
Installing a 1U or high performance heatsink.....	152
Installing a processor.....	155
HPE Trusted Platform Module 2.0 Gen10 option.....	157
Overview.....	157
HPE Trusted Platform Module 2.0 Guidelines.....	158
Installing and enabling the HPE TPM 2.0 Gen10 option.....	158

## **Cabling..... 163**

HPE ProLiant Gen10 DL Servers Storage Cabling Guidelines.....	163
Cabling diagrams.....	163
Cable routing: Front 2SFF drive option for SFF.....	166
Cable routing: Front 2SFF drive option for LFF.....	167
Cable routing: Front 2SFF drive options (3 position cable).....	168
Cable routing: Front 8SFF drive options.....	169
Cable routing: Front 8SFF NVMe/SAS premium drive option.....	171
Cable routing: Front 8SFF NVMe drive options.....	171
Cable routing: Front 2SFF NVMe drive option for SFF.....	173
Cable routing: Front 2SFF NVMe drive option for LFF.....	173
Cable routing: Midplane 4LFF drive option.....	174
Cable routing: Rear 3LFF drive option.....	175
Cable routing: Rear 2SFF drive options.....	175
Cable routing: HPE 12G SAS Expander to a controller.....	176
Cable routing: Smart Array P824i-P Controller.....	177
Cable routing: Systems Insight Display.....	179



<b>Software and configuration utilities.....</b>	<b>181</b>
Server mode.....	181
Product QuickSpecs.....	181
Active Health System Viewer.....	181
Active Health System.....	182
HPE iLO 5.....	183
iLO Federation.....	183
iLO Service Port.....	183
iLO RESTful API.....	184
RESTful Interface Tool.....	184
DescriptioniLO Amplifier Pack.....	184
Integrated Management Log.....	184
Intelligent Provisioning.....	185
Intelligent Provisioning operation.....	185
Management security.....	186
Scripting Toolkit for Windows and Linux.....	186
UEFI System Utilities.....	186
Selecting the boot mode .....	187
Secure Boot.....	188
Launching the Embedded UEFI Shell .....	188
HPE Smart Storage Administrator.....	189
HPE MR Storage Administrator.....	189
HPE InfoSight for servers .....	190
StorCLI.....	190
USB support.....	190
External USB functionality.....	190
Redundant ROM support.....	191
Safety and security benefits.....	191
Keeping the system current.....	191
Updating firmware or system ROM.....	191
Drivers.....	193
Software and firmware.....	194
Operating system version support.....	194
HPE Pointnext Portfolio.....	194
Proactive notifications.....	194
 <b>Troubleshooting.....</b>	 <b>195</b>
NMI functionality.....	195
Troubleshooting resources.....	195
 <b>Battery replacement.....</b>	 <b>196</b>
 <b>Specifications.....</b>	 <b>198</b>
Environmental specifications.....	198
Mechanical specifications.....	198
Power supply specifications.....	199
HPE 500W Flex Slot Platinum Hot-plug Low Halogen Power Supply.....	199
HPE 800W Flex Slot Platinum Hot-plug Low Halogen Power Supply.....	200
HPE 800W Flex Slot Titanium Hot-plug Low Halogen Power Supply.....	201
HPE 800W Flex Slot Universal Hot-plug Low Halogen Power Supply.....	202



HPE 800W Flex Slot -48VDC Hot-plug Low Halogen Power Supply.....	202
HPE 800W Flex Slot Scalable Persistent Memory Power Supply.....	204
HPE 1600 W Flex Slot Platinum Hot-plug Low Halogen Power Supply.....	205

**Support and other resources.....206**

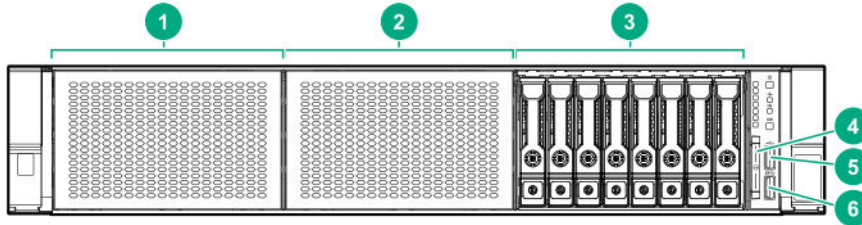
Accessing Hewlett Packard Enterprise Support.....	206
Accessing updates.....	206
Customer self repair.....	207
Remote support.....	207
Warranty information.....	207
Regulatory information.....	208
Documentation feedback.....	208



# Component identification

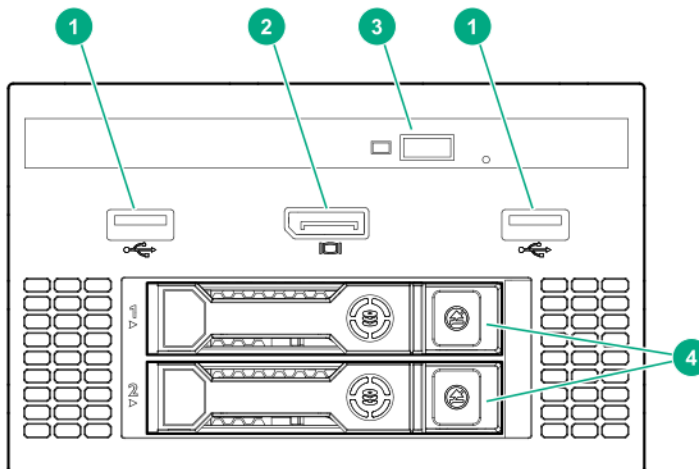
## Front panel components

### SFF front panel components



Item	Description
1	Box 1 (optional drives or <b>universal media bay</b> )
2	Box 2 (optional drives)
3	Box 3 Drives 1-8
4	Serial label pull tab or optional <b>Systems Insight Display</b>
5	iLO service port
6	USB 3.0 port

### Universal media bay components

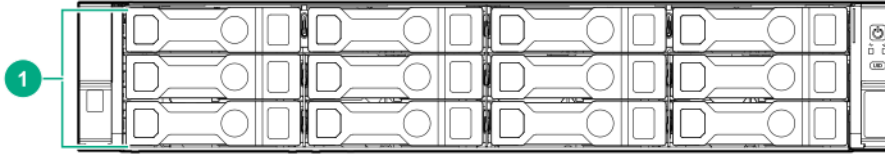


Item	Description
1	USB 2.0 port
2	Video display port
3	Optical disc drive (optional)
4	Drives (optional)





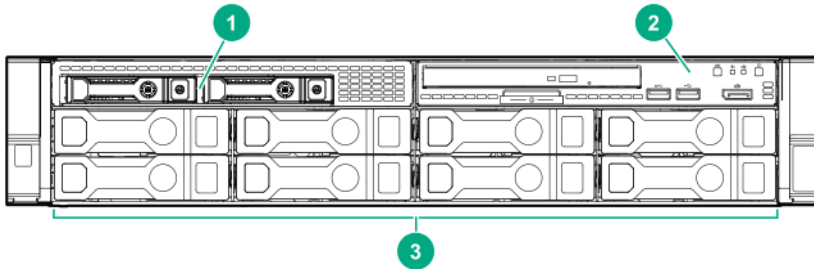
### 12-drive LFF front panel components



Item	Description
------	-------------

1	Drive bays
---	------------

### 8-drive LFF model front panel components



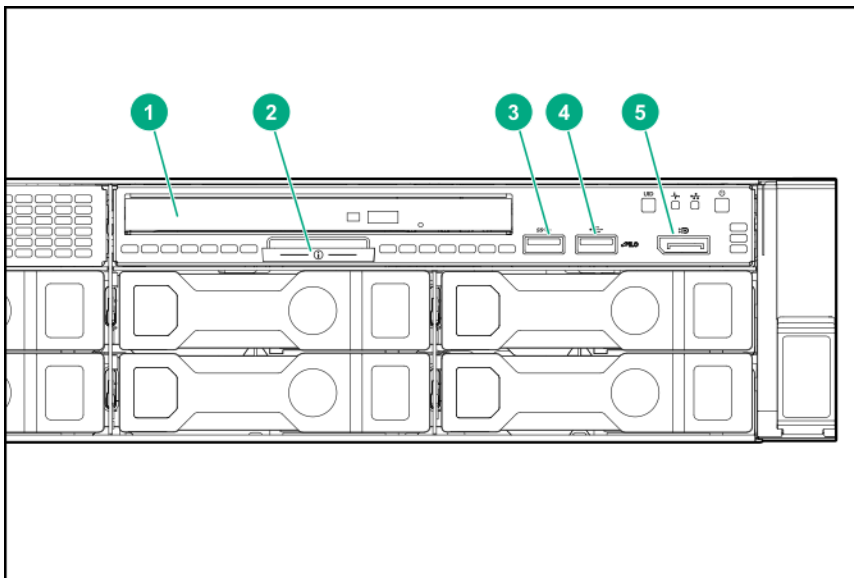
Item	Description
------	-------------

1	Drives (optional)
---	-------------------

2	<b>LFF power switch module</b>
---	--------------------------------

3	Drive bays
---	------------

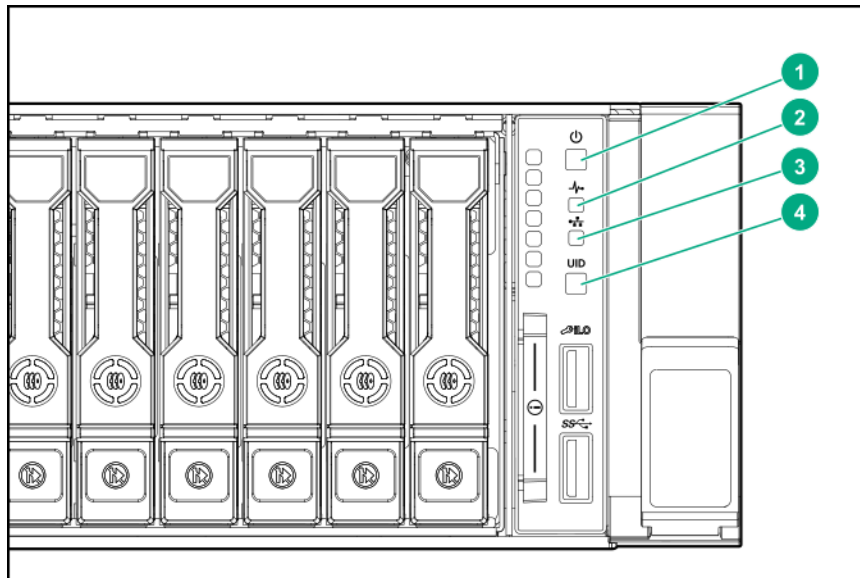
### LFF power switch module components



Item	Description
1	Optical disk drive
2	Serial label pull tab
3	USB 3.0 port
4	iLO service port
5	Video display port

## Front panel LEDs and buttons

### SFF front panel LEDs and button



Item	Description	Status
1	Power On/Standby button and system power LED*	<p>Solid green = System on</p> <p>Flashing green (1 Hz/cycle per sec) = Performing power on sequence</p> <p>Solid amber = System in standby</p> <p>Off = No power present*</p>
2	Health LED*	<p>Solid green = Normal</p> <p>Flashing green (1 Hz/cycle per sec) = iLO is rebooting</p> <p>Flashing amber = System degraded</p> <p>Flashing red (1 Hz/cycle per sec) = System critical**</p>

*Table Continued*

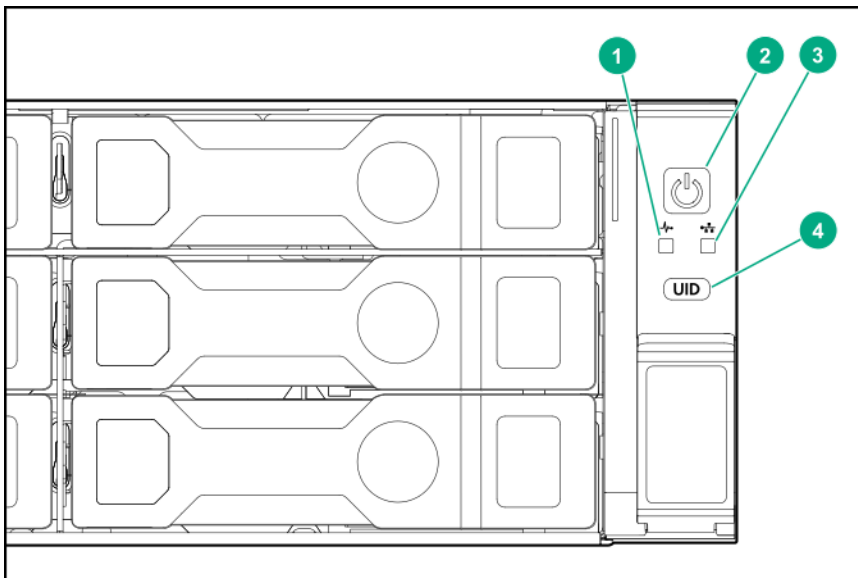
Item	Description	Status
3	NIC status LED*	Solid green = Link to network Flashing green (1 Hz/cycle per sec) = Network active Off = No network activity
4	UID button/LED*	Solid blue = Activated Flashing blue: <ul style="list-style-type: none"> <li>• 1 Hz/cycle per sec = Remote management or firmware upgrade in progress</li> <li>• 4 Hz/cycle per sec = iLO manual reboot sequence initiated</li> <li>• 8 Hz/cycle per sec = iLO manual reboot sequence in progress</li> </ul> Off = Deactivated

\*When all four LEDs described in this table flash simultaneously, a power fault has occurred. For more information, see "[Power fault LEDs](#)."

\*\*If the health LED indicates a degraded or critical state, review the system IML or use iLO to review the system health status.

\*Facility power is not present, power cord is not attached, no power supplies are installed, power supply failure has occurred, or the power button cable is disconnected.

#### LFF 12-drive model front panel LEDs and button



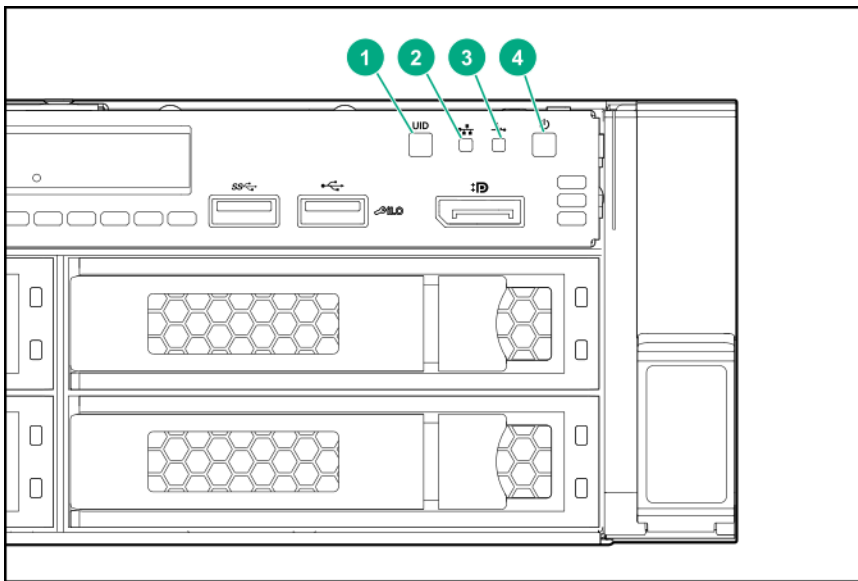
Item	Description	Status
1	Health LED*	<p>Solid green = Normal</p> <p>Flashing green (1 Hz/cycle per sec) = iLO is rebooting</p> <p>Flashing amber = System degraded</p> <p>Flashing red (1 Hz/cycle per sec) = System critical**</p>
2	Power On/Standby button and system power LED*	<p>Solid green = System on</p> <p>Flashing green (1 Hz/cycle per sec) = Performing power on sequence</p> <p>Solid amber = System in standby</p> <p>Off = No power present†</p>
3	NIC status LED*	<p>Solid green = Link to network</p> <p>Flashing green (1 Hz/cycle per sec) = Network active</p> <p>Off = No network activity</p>
4	UID button/LED*	<p>Solid blue = Activated</p> <p>Flashing blue:</p> <ul style="list-style-type: none"> <li>• 1 Hz/cycle per sec = Remote management or firmware upgrade in progress</li> <li>• 4 Hz/cycle per sec = iLO manual reboot sequence initiated</li> <li>• 8 Hz/cycle per sec = iLO manual reboot sequence in progress</li> </ul> <p>Off = Deactivated</p>

\*When all four LEDs described in this table flash simultaneously, a power fault has occurred. For more information, see "**Power fault LEDs.**"

\*\*If the health LED indicates a degraded or critical state, review the system IML or use iLO to review the system health status.

†Facility power is not present, power cord is not attached, no power supplies are installed, power supply failure has occurred, or the power button cable is disconnected.

## LFF power switch module LEDs and button



Item	Description	Status
1	UID button/LED*	<p>Solid blue = Activated</p> <p>Flashing blue:</p> <ul style="list-style-type: none"> <li>• 1 Hz/cycle per sec = Remote management or firmware upgrade in progress</li> <li>• 4 Hz/cycle per sec = iLO manual reboot sequence initiated</li> <li>• 8 Hz/cycle per sec = iLO manual reboot sequence in progress</li> </ul> <p>Off = Deactivated</p>
2	NIC status LED*	<p>Solid green = Link to network</p> <p>Flashing green (1 Hz/cycle per sec) = Network active</p> <p>Off = No network activity</p>
3	Health LED*	<p>Solid green = Normal</p> <p>Flashing green (1 Hz/cycle per sec) = iLO is rebooting</p> <p>Flashing amber = System degraded</p> <p>Flashing red (1 Hz/cycle per sec) = System critical**</p>
4	Power On/Standby button and system power LED*	<p>Solid green = System on</p> <p>Flashing green (1 Hz/cycle per sec) = Performing power on sequence</p> <p>Solid amber = System in standby</p> <p>Off = No power present*</p>



\*When all four LEDs described in this table flash simultaneously, a power fault has occurred. For more information, see "**Power fault LEDs.**"

\*\*If the health LED indicates a degraded or critical state, review the system IML or use iLO to review the system health status.

\*Facility power is not present, power cord is not attached, no power supplies are installed, power supply failure has occurred, or the power button cable is disconnected.

## UID button functionality

The UID button can be used to display the Server Health Summary when the server will not power on. For more information, see the latest *HPE iLO 5 User Guide* on the [Hewlett Packard Enterprise website](#).

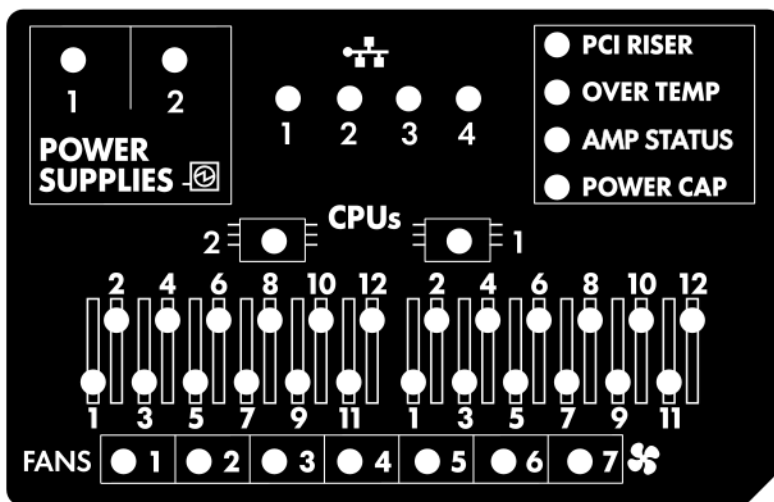
## Front panel LED power fault codes

The following table provides a list of power fault codes, and the subsystems that are affected. Not all power faults are used by all servers.

Subsystem	LED behavior
System board	1 flash
Processor	2 flashes
Memory	3 flashes
Riser board PCIe slots	4 flashes
FlexibleLOM	5 flashes
Storage controllers	6 flashes
System board PCIe slots	7 flashes
Power backplane or storage backplane	8 flashes
Power supply	9 flashes

## Systems Insight Display LEDs

The Systems Insight Display LEDs represent the system board layout. The display enables diagnosis with the access panel installed.



Description	Status
Processor LEDs	Off = Normal Amber = Failed processor
DIMM LEDs	Off = Normal Amber = Failed DIMM or configuration issue
Fan LEDs	Off = Normal Amber = Failed fan or missing fan
NIC LEDs <sup>1</sup>	Off = No link to network Solid green = Network link Flashing green = Network link with activity If power is off, the front panel LED is not active. For status, see <b>Rear panel LEDs</b> .
Power supply LEDs	Off = Normal Solid amber = Power subsystem degraded, power supply failure, or input power lost.
PCI riser LED	Off = Normal Amber = Incorrectly installed PCI riser cage
Over temp LED	Off = Normal Amber = High system temperature detected
Amp Status LED	Off = AMP modes disabled Solid green = AMP mode enabled Solid amber = Failover Flashing amber = Invalid configuration
Power cap LED	Off = System is in standby, or no cap is set. Solid green = Power cap applied

<sup>1</sup> For Networking Choice server models, the embedded NIC ports are not equipped on the server. Therefore, the NIC LEDs on the Systems Insight Display will flash based on the FlexibleLOM network port activity. In the case of a dual-port FlexibleLOM, only NIC LED 1 and 2 will illuminate to correspond with the activity of the respective network ports.

When the health LED on the front panel illuminates either amber or red, the server is experiencing a health event. For more information on the combination of these LEDs, see **Systems Insight Display combined LED descriptions**.



## Systems Insight Display combined LED descriptions

The combined illumination of the following LEDs indicates a system condition:

- Systems Insight Display LEDs
- System power LED
- Health LED

Systems Insight Display LED and color	Health LED	System power LED	Status
Processor (amber)	Red	Amber	One or more of the following conditions might exist: <ul style="list-style-type: none"> <li>• Processor in socket X has failed.</li> <li>• Processor X is not installed in the socket.</li> <li>• Processor X is unsupported.</li> <li>• ROM detects a failed processor during POST.</li> </ul>
Processor (amber)	Amber	Green	Processor in socket X is in a pre-failure condition.
DIMM (amber)	Red	Green	One or more DIMMs have failed.
DIMM (amber)	Amber	Green	DIMM in slot X is in a pre-failure condition.
Over temp (amber)	Amber	Green	The Health Driver has detected a cautionary temperature level.
Over temp (amber)	Red	Amber	The server has detected a hardware critical temperature level.
PCI riser (amber)	Red	Green	The PCI riser cage is not seated properly.
Fan (amber)	Amber	Green	One fan has failed or has been removed.
Fan (amber)	Red	Green	Two or more fans have failed or been removed.
Power supply (amber)	Red	Amber	One or more of the following conditions might exist: <ul style="list-style-type: none"> <li>• Only one power supply is installed and that power supply is in standby.</li> <li>• Power supply fault.</li> <li>• System board fault.</li> </ul>

*Table Continued*

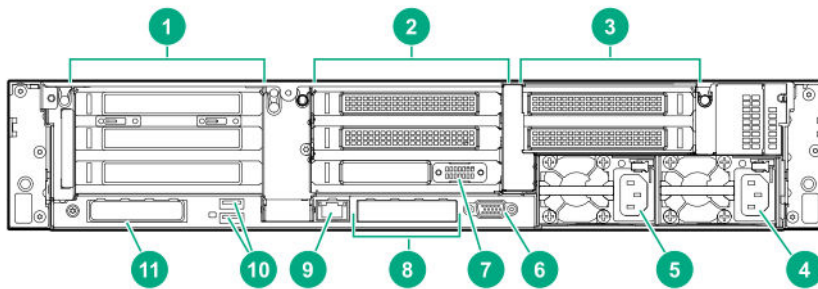




Systems Insight Display LED and color	Health LED	System power LED	Status
Power supply (amber)	Amber	Green	One or more of the following conditions might exist: <ul style="list-style-type: none"> <li>Redundant power supply is installed and only one power supply is functional.</li> <li>AC power cord is not plugged into redundant power supply.</li> <li>Redundant power supply fault.</li> <li>Power supply mismatch at POST or power supply mismatch through hot-plug addition.</li> </ul>
Power cap (off)	—	Amber	Standby.
Power cap (green)	—	Flashing green	Waiting for power.
Power cap (green)	—	Green	Power is available.
Power cap (flashing amber)	—	Amber	Power is not available.

**!** **IMPORTANT:** If more than one DIMM slot LED is illuminated, further troubleshooting is required. Test each bank of DIMMs by removing all other DIMMs. Isolate the failed DIMM by replacing each DIMM in a bank with a known working DIMM.

## Rear panel components



Item	Description
1	Primary riser slots 1-3 (Optional drive cage)
2	Optional riser slots 4-6 (Optional drive cage)
3	Optional riser slots 7-8 (Optional drive cage)
4	Power supply 1
5	Power supply 2
6	Video port

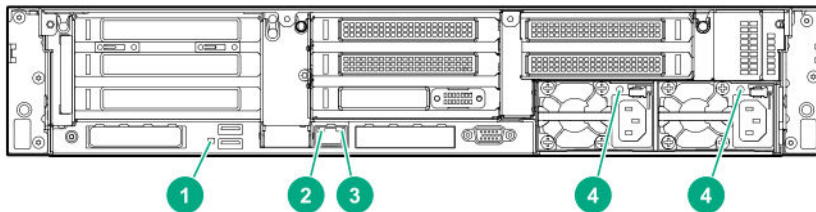
Table Continued



Item	Description
7	Serial port (optional)*
8	1Gb RJ-45 ports 1–4 (if equipped)
9	iLO management port
10	USB 3.0 ports
11	FlexibleLOM slot

\*When a tertiary riser cage is installed as shown, the serial port can be installed in riser slot 6.

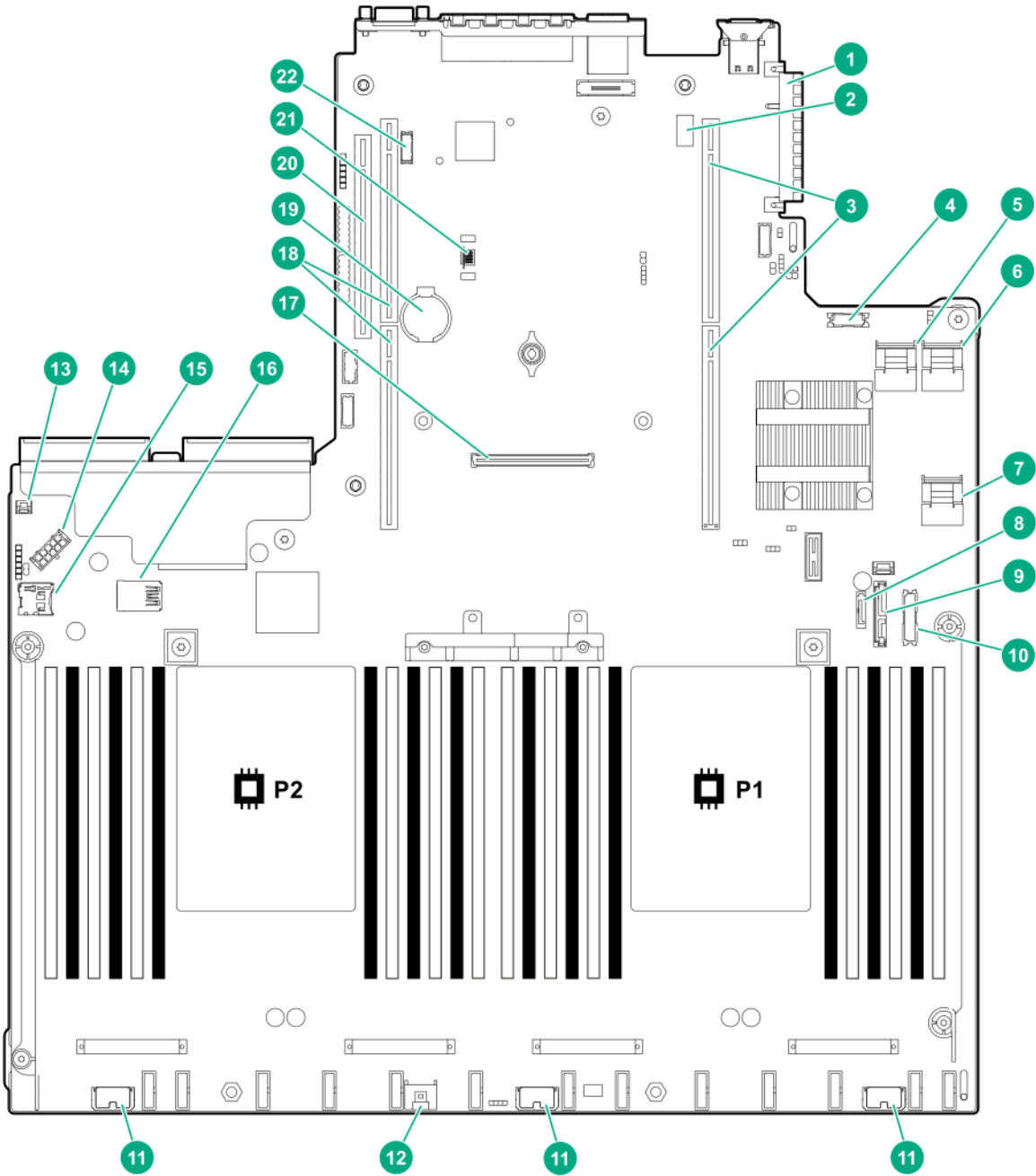
## Rear panel LEDs



Item	Description	Status
1	UID LED	Off = Deactivated Solid blue = Activated Flashing blue = System being managed remotely
2	Link LED	Off = No network link Green = Network link
3	Activity LED	Off = No network activity Solid green = Link to network Flashing green = Network activity
4	Power supply LEDs	Off = System is off or power supply has failed. Solid green = Normal



# System board components



Item	Description
1	FlexibleLOM connector
2	System maintenance switch
3	Primary PCIe riser connector
4	Front display port/USB 2.0 connector

Table Continued



Item	Description
5	x4 SATA port 1
6	x4 SATA port 2
7	x2 SATA port 3
8	x1 SATA port 4
9	Optical disk drive/SATA port 5
10	Power switch/SID module connector
11	Drive backplane power connectors
12	Energy pack connector
13	Chassis intrusion detection connector
14	Drive backplane power connector
15	microSD card slot
16	Dual internal USB 3.0 ports
17	Type-a Smart Array connector
18	Secondary PCIe riser connector*
19	System battery
20	Tertiary PCIe riser connector*
21	TPM connector
22	Serial port connector (optional)

\* Requires a second processor

## System maintenance switch descriptions

Position	Default	Function
S1 <sup>1</sup>	Off	Off = iLO security is enabled. On = iLO security is disabled.
S2	Off	Reserved
S3	Off	Reserved
S4	Off	Reserved
S5 <sup>1</sup>	Off	Off = Power-on password is enabled. On = Power-on password is disabled.
S6 <sup>1, 2, 3</sup>	Off	Off = No function On = Restore default manufacturing settings
S7	Off	Reserved

*Table Continued*

Position	Default	Function
S8	—	Reserved
S9	—	Reserved
S10	—	Reserved
S11	—	Reserved
S12	—	Reserved

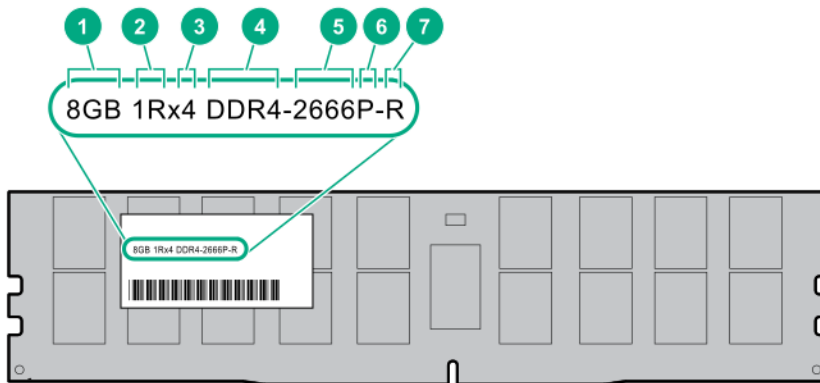
<sup>1</sup> To access the redundant ROM, set S1, S5, and S6 to On.

<sup>2</sup> When the system maintenance switch position 6 is set to the On position, the system is prepared to restore all configuration settings to their manufacturing defaults.

<sup>3</sup> When the system maintenance switch position 6 is set to the On position and Secure Boot is enabled, some configurations cannot be restored. For more information, see **Secure Boot**.

## DIMM label identification

To determine DIMM characteristics, see the label attached to the DIMM. The information in this section helps you to use the label to locate specific information about the DIMM.



Item	Description	Example
1	Capacity	8 GB
		16 GB
		32 GB
		64 GB
		128 GB
2	Rank	1R = Single rank
		2R = Dual rank
		4R = Quad rank
		8R = Octal rank

*Table Continued*



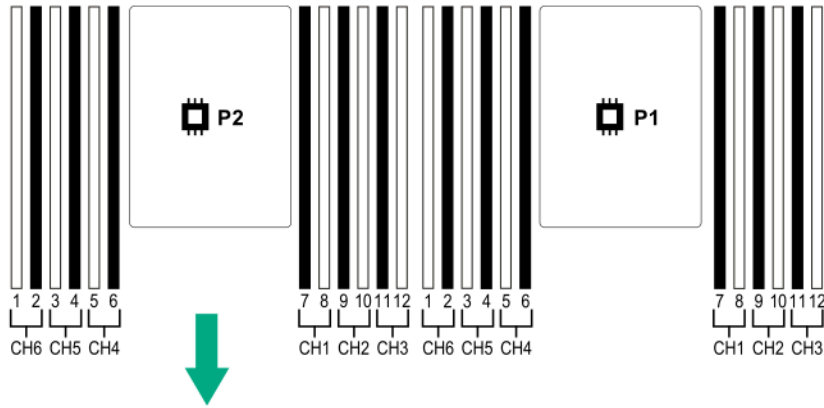
Item	Description	Example
3	Data width on DRAM	x4 = 4-bit x8 = 8-bit x16 = 16-bit
4	Memory generation	PC4 = DDR4
5	Maximum memory speed	2133 MT/s 2400 MT/s 2666 MT/s 2933 MT/s
6	CAS latency	P = CAS 15-15-15 T = CAS 17-17-17 U = CAS 20-18-18 V = CAS 19-19-19 (for RDIMM, LRDIMM) V = CAS 22-19-19 (for 3DS TSV LRDIMM) Y = CAS 21-21-21 (for RDIMM, LRDIMM) Y = CAS 24-21-21 (for 3DS TSV LRDIMM)
7	DIMM type	R = RDIMM (registered) L = LRDIMM (load reduced) E = Unbuffered ECC (UDIMM)

For more information about product features, specifications, options, configurations, and compatibility, see the HPE DDR4 SmartMemory QuickSpecs on the Hewlett Packard Enterprise website (<https://www.hpe.com/support/DDR4SmartMemoryQS>).

## DIMM slot locations

DIMM slots are numbered sequentially (1 through 12) for each processor.



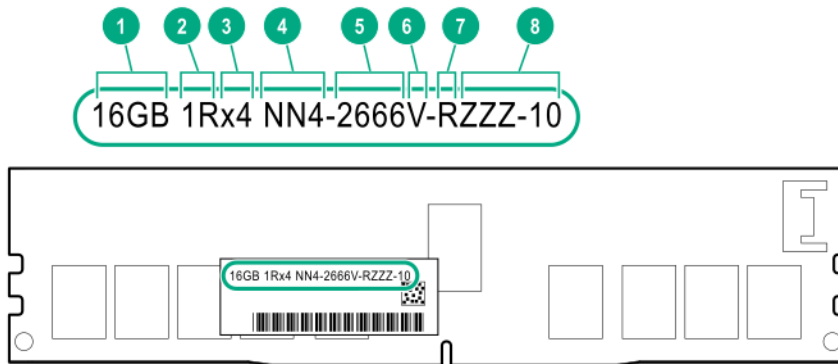


## NVDIMM identification

NVDIMMs are supported only when first-generation Intel Xeon Scalable processors are installed on the server.

NVDIMM boards are blue instead of green. This change to the color makes it easier to distinguish NVDIMMs from DIMMs.

To determine NVDIMM characteristics, see the full product description as shown in the following example:



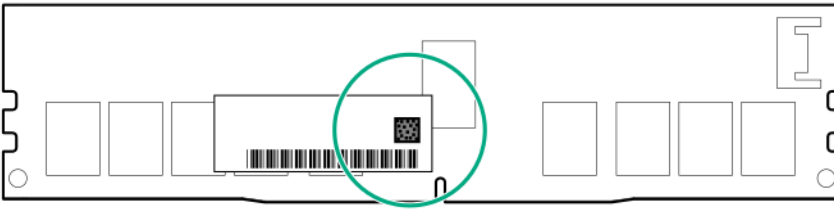
Item	Description	Definition
1	Capacity	16 GiB
2	Rank	1R (Single rank)
3	Data width per DRAM chip	x4 (4 bit)
4	Memory type	NN4=DDR4 NVDIMM-N
5	Maximum memory speed	2667 MT/s
6	Speed grade	V (latency 19-19-19)
7	DIMM type	RDIMM (registered)
8	Other	—

For more information about NVDIMMs, see the product QuickSpecs on the Hewlett Packard Enterprise website (<https://www.hpe.com/info/qs>).

## NVDIMM 2D Data Matrix barcode

The 2D Data Matrix barcode is on the right side of the NVDIMM label and can be scanned by a cell phone or other device.



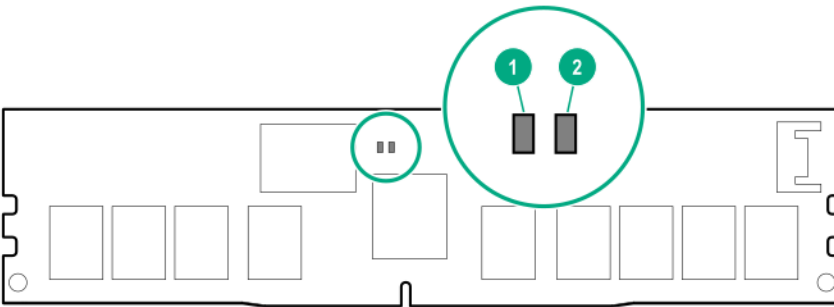


When scanned, the following information from the label can be copied to your cell phone or device:

- (P) is the module part number.
- (L) is the technical details shown on the label.
- (S) is the module serial number.

Example: (P)HMN82GR7AFR4N-VK (L)16GB 1Rx4 NN4-2666V-RZZZ-10(S)80AD-01-1742-11AED5C2

## NVDIMM LED identification



Item	LED description	LED color
1	Power LED	Green
2	Function LED	Blue

## NVDIMM-N LED combinations

State	Definition	NVDIMM-N Power LED (green)	NVDIMM-N Function LED (blue)
0	AC power is on (12V rail) but the NVM controller is not working or not ready.	On	Off
1	AC power is on (12V rail) and the NVM controller is ready.	On	On
2	AC power is off or the battery is off (12V rail off).	Off	Off
3	AC power is on (12V rail) or the battery is on (12V rail) and the NVDIMM-N is active (backup and restore).	On	Flashing

## NVDIMM Function LED patterns

For the purpose of this table, the NVDIMM-N LED operates as follows:





- Solid indicates that the LED remains in the on state.
- Flashing indicates that the LED is on for 2 seconds and off for 1 second.
- Fast-flashing indicates that the LED is on for 300 ms and off for 300 ms.

State	Definition	NVDIMM-N Function LED
0	The restore operation is in progress.	Flashing
1	The restore operation is successful.	Solid or On
2	Erase is in progress.	Flashing
3	The erase operation is successful.	Solid or On
4	The NVDIMM-N is armed, and the NVDIMM-N is in normal operation.	Solid or On
5	The save operation is in progress.	Flashing
6	The NVDIMM-N finished saving and battery is still turned on (12 V still powered).	Solid or On
7	The NVDIMM-N has an internal error or a firmware update is in progress. For more information about an NVDIMM-N internal error, see the IML.	Fast-flashing

## HPE Persistent Memory module label identification

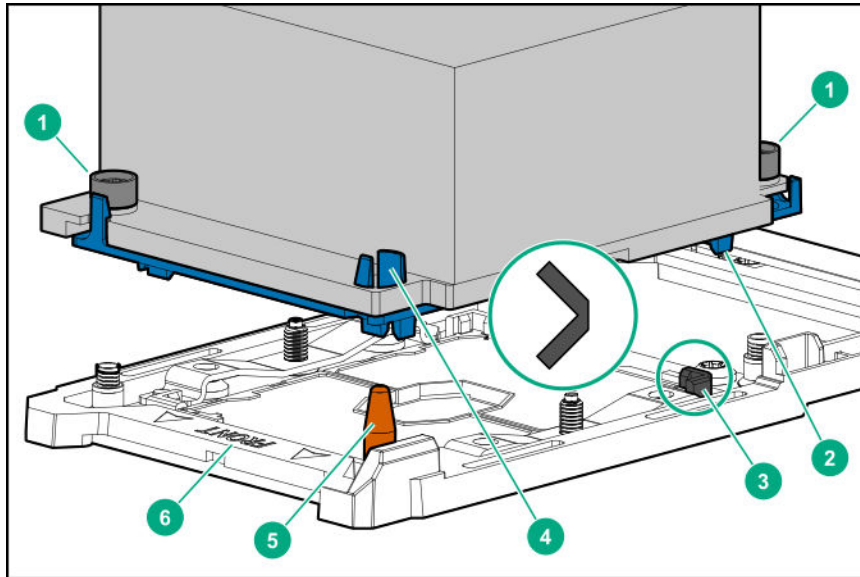


Item	Description	Example
1	Unique ID number	8089-A2-1802-1234567
2	Model number	NMA1XBD512G2S
3	Capacity	128 GB 256 GB 512 GB
4	QR code	Includes part number and serial number



For more information about product features, specifications, options, configurations, and compatibility, see the product QuickSpecs on the Hewlett Packard Enterprise website (<https://www.hpe.com/support/persistentmemoryQS>).

## Processor, heatsink, and socket components

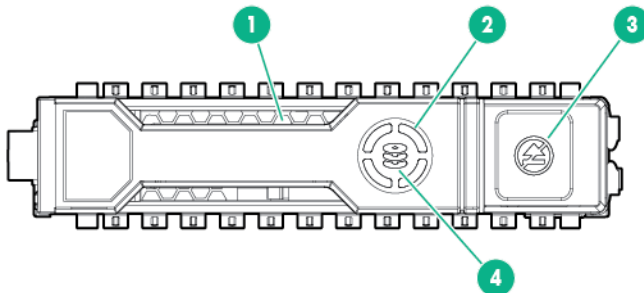


Item	Description
1	Heatsink nuts
2	Processor carrier
3	Pin 1 indicator <sup>1</sup>
4	Heatsink guide/keying feature
5	Alignment post
6	Heatsink keying frame

<sup>1</sup> Symbol also on the processor and frame.

## Drives

### SAS/SATA drive components and LEDs

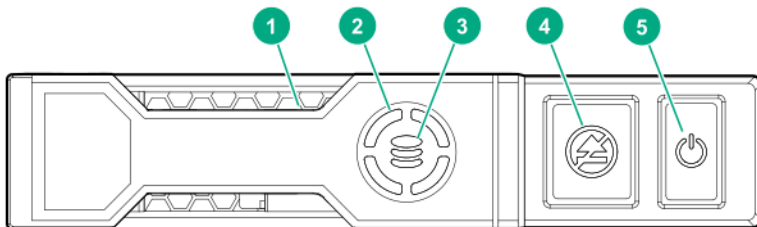


Item	Description	Status
1	Locate	<ul style="list-style-type: none"> <li>• Solid blue = The drive is being identified by a host application.</li> <li>• Flashing blue = The drive carrier firmware is being updated or requires an update.</li> </ul>
2	Activity ring LED	<ul style="list-style-type: none"> <li>• Rotating green = Drive activity.</li> <li>• Off = No drive activity.</li> </ul>
3	Do not remove LED	<ul style="list-style-type: none"> <li>• Solid white = Do not remove the drive. Removing the drive causes one or more of the logical drives to fail.</li> <li>• Off = Removing the drive does not cause a logical drive to fail.</li> </ul>
4	Drive status LED	<ul style="list-style-type: none"> <li>• Solid green = The drive is a member of one or more logical drives.</li> <li>• Flashing green = The drive is rebuilding or performing a RAID migration, strip size migration, capacity expansion, or logical drive extension, or is erasing.</li> <li>• Flashing amber/green = The drive is a member of one or more logical drives and predicts the drive will fail.</li> <li>• Flashing amber = The drive is not configured and predicts the drive will fail.</li> <li>• Solid amber = The drive has failed.</li> <li>• Off = The drive is not configured by a RAID controller.</li> </ul>

## Smart Carrier NVMe (SCN) drive LED definitions

The NVMe drive is a PCIe bus device. A device attached to a PCIe bus cannot be removed without allowing the device and bus to complete and cease the signal/traffic flow.

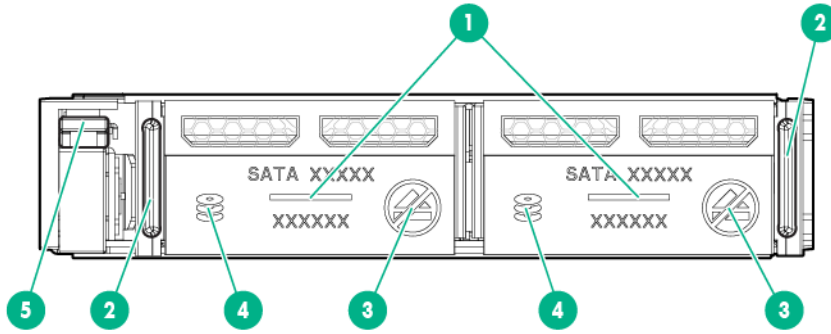
**⚠ CAUTION:** Do not remove an NVMe drive from the drive bay while the Do not remove LED is flashing. The Do not remove LED flashes to indicate that the device is still in use. Removing the NVMe drive before the device has completed and ceased signal/traffic flow can cause loss of data.



<b>Item</b>	<b>LED</b>	<b>Status</b>	<b>Definition</b>
1	Locate	Solid blue	The drive is being identified by a host application.
		Flashing blue	The drive carrier firmware is being updated or requires an update.
2	Activity ring	Rotating green	Drive activity
		Off	No drive activity
3	Drive status	Solid green	The drive is a member of one or more logical drives.
		Flashing green	The drive is doing one of the following: <ul style="list-style-type: none"> <li>• Rebuilding</li> <li>• Performing a RAID migration</li> <li>• Performing a stripe size migration</li> <li>• Performing a capacity expansion</li> <li>• Performing a logical drive extension</li> <li>• Erasing</li> </ul>
		Flashing amber/green	The drive is a member of one or more logical drives and predicts the drive will fail.
		Flashing amber	The drive is not configured and predicts the drive will fail.
		Solid amber	The drive has failed.
		Off	The drive is not configured by a RAID controller.
4	Do not remove	Solid white	Do not remove the drive. The drive must be ejected from the PCIe bus prior to removal.
		Flashing white	The drive ejection request is pending.
		Off	The drive has been ejected.
5	Power	Solid green	Do not remove the drive. The drive must be ejected from the PCIe bus prior to removal.
		Flashing green	The drive ejection request is pending.
		Off	The drive has been ejected.



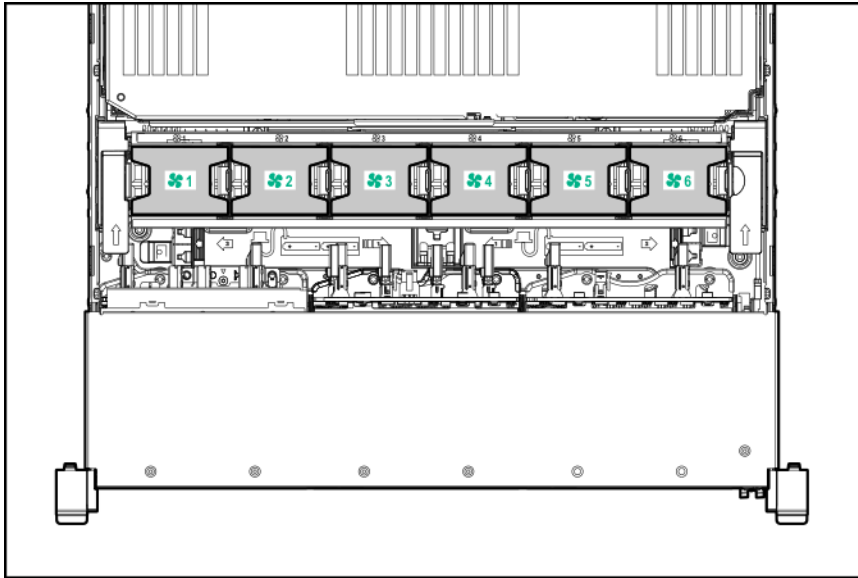
## uFF drive components and LEDs



Item	Description	Status
1	Locate	<ul style="list-style-type: none"> <li>Off—Normal</li> <li>Solid blue—The drive is being identified by a host application</li> <li>Flashing blue—The drive firmware is being updated or requires an update</li> </ul>
2	uFF drive ejection latch	Removes the uFF drive when released
3	Do not remove LED	<ul style="list-style-type: none"> <li>Off—OK to remove the drive. Removing the drive does not cause a logical drive to fail.</li> <li>Solid white—Do not remove the drive. Removing the drive causes one or more of the logical drives to fail.</li> </ul>
4	Drive status LED	<ul style="list-style-type: none"> <li>Off—The drive is not configured by a RAID controller</li> <li>Solid green—The drive is a member of one or more logical drives</li> <li>Flashing green (4 Hz)—The drive is operating normally and has activity</li> <li>Flashing green (1 Hz)—The drive is rebuilding or performing a RAID migration, stripe size migration, capacity expansion, logical drive extension, or is erasing</li> <li>Flashing amber/green (1 Hz)—The drive is a member of one or more logical drives that predicts the drive will fail</li> <li>Solid amber—The drive has failed</li> <li>Flashing amber (1 Hz)—The drive is not configured and predicts the drive will fail</li> </ul>
5	Adapter ejection release latch and handle	Removes the SFF flash adapter when released

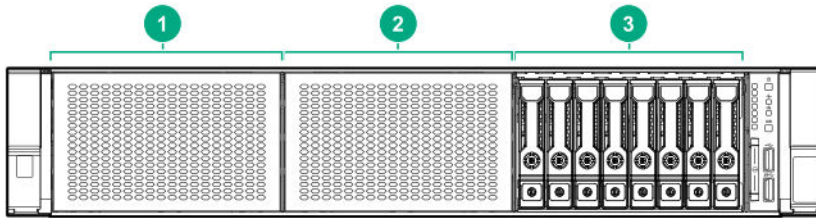


# Fan bay numbering

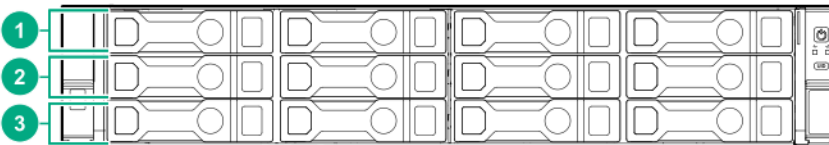


# Drive box identification

## Front boxes



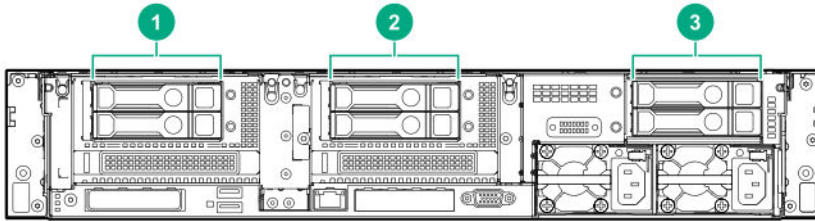
Item	Description
1	Box 1
2	Box 2
3	Box 3



**Item Description**

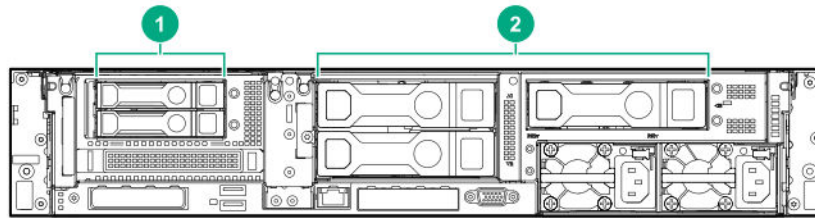
1	Box 1
2	Box 2
3	Box 3

**Rear boxes**



**Item Description**

1	Box 4
2	Box 5
3	Box 6

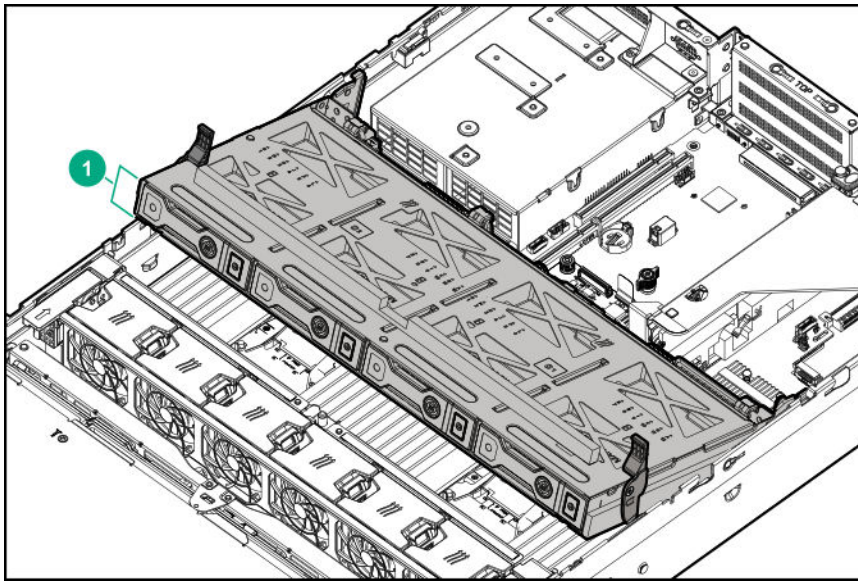


**Item Description**

1	Box 4
2	Box 6



## Midplane box (LFF only)



Item	Description
------	-------------

1	Box 7
---	-------

## Drive bay numbering

Drive bay numbering depends on how the drive backplanes are connected:

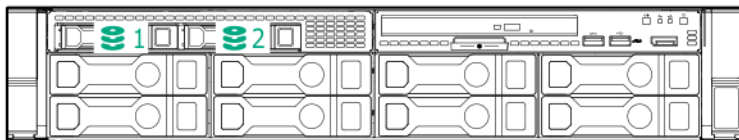
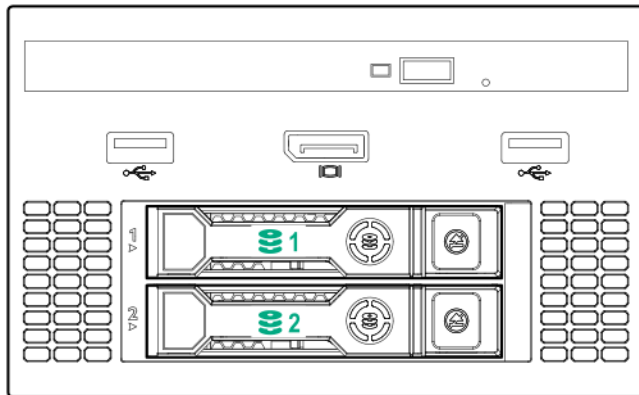
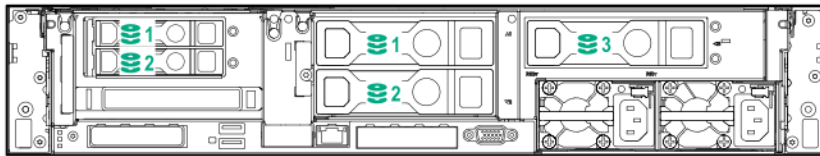
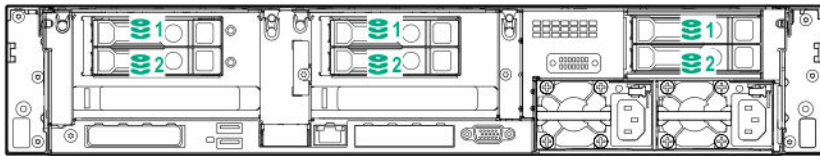
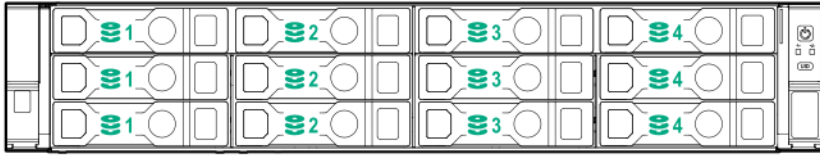
- To a controller
  - Embedded controllers use the onboard SATA ports.
  - Type-a controllers install to the type-a smart array connector.
  - Type-p controllers install to a PCIe riser.
- To a SAS expander
  - Installs in the primary or secondary PCIe riser

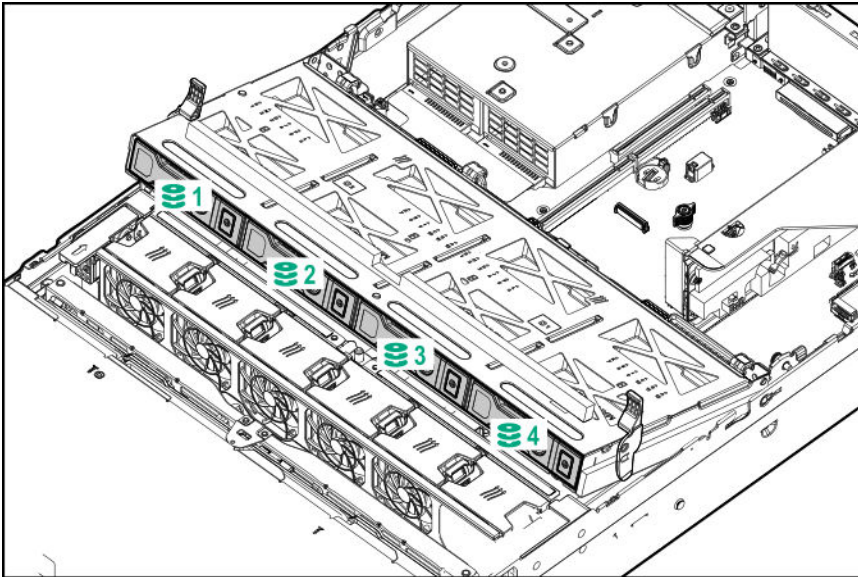
### Drive bay numbering: Smart Array controller

When the drive backplane is connected directly to a storage controller, then each drive box starts at 1. The following images are examples of common configurations.









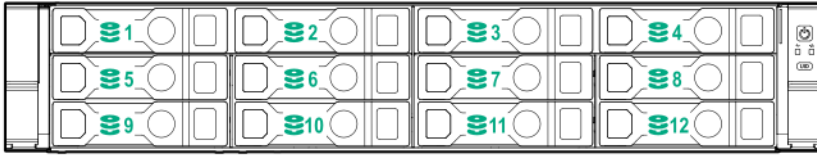
## Drive bay numbering: SAS expander

Drive numbering through a SAS Expander is continuous.

- SAS expander port 1 always connects to port 1 of the controller.
- SAS expander port 2 always connects to port 2 of the controller.
- SAS expander port 3 = drive numbers 1-4.
- SAS expander port 4 = drive numbers 5-8.
- SAS expander port 5 = drive numbers 9-12.
- SAS expander port 6 = drive numbers 13-16.
- SAS expander port 7 = drive numbers 17-20.
- SAS expander port 8 = drive numbers 21-24.
- SAS expander port 9 = drive numbers 25-28.

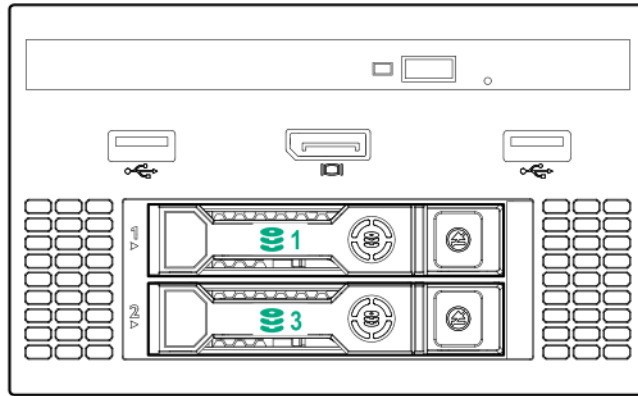
Common configuration examples:





When any stacked 2SFF drive configuration is connected to the SAS expander, the drive numbering skips the second number to allow **uFF drive bay numbering**.

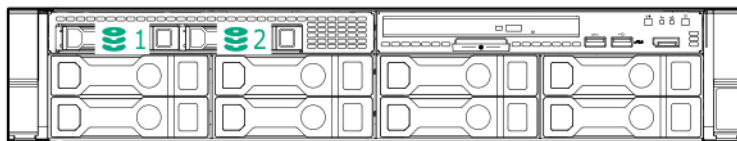
- Front 2SFF to SAS expander port 3:



- Rear 2SFF to SAS expander port 9:

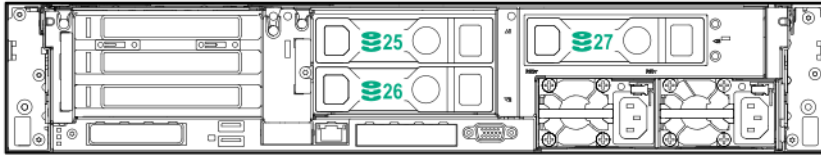


- Front 2SFF side-by-side (unstacked) to SAS expander port 3:

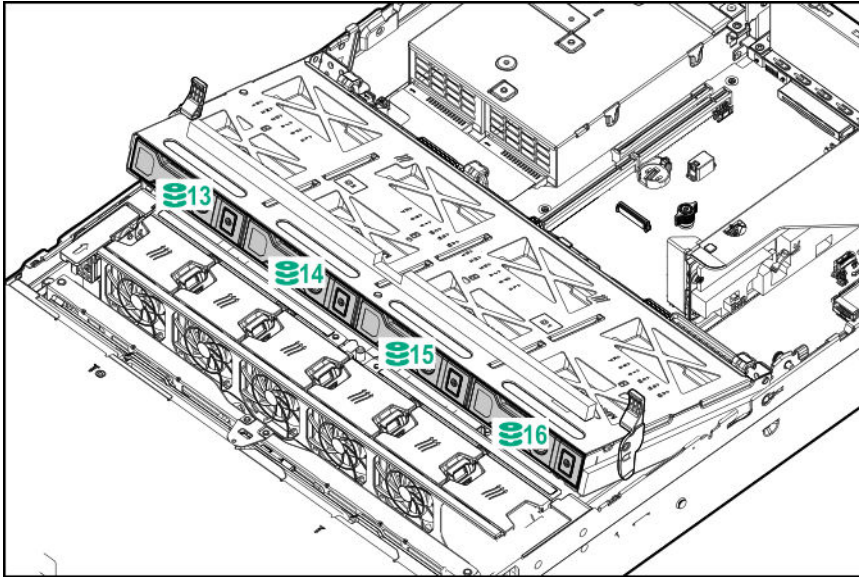


- Rear 3LFF to SAS expander port 9:

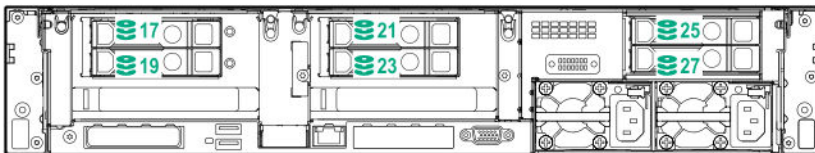




- Mid 4LFF to SAS expander port 6:



- Front 12LFF + Midplane 4LFF + All rear 2SFF:



## Drive bay numbering: NVMe drives

If the server is populated with NVMe drives and NVMe risers:

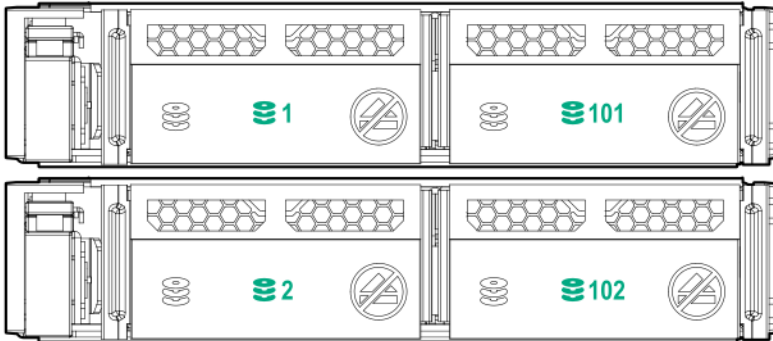


## uFF drive bay numbering

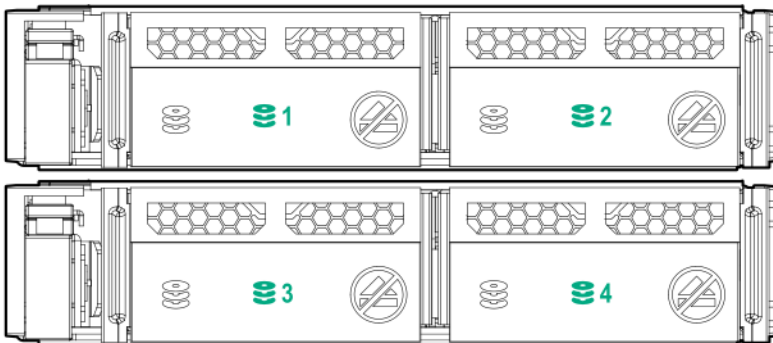
There are two uFF drives in each drive carrier.

If the drives are connected to a controller:

- The left bay = The default bay number of the server
- The right bay = The default bay number of the server + 100



If the drives are connected to a SAS expander:



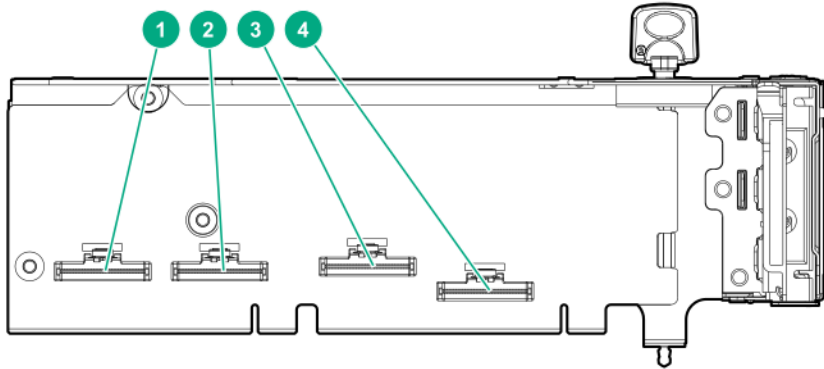
For example:

- If the drives are connected to port 3 of the SAS expander, then the uFF drives are 1-4.
- If the drives are connected to port 9 of the SAS expander, then the uFF drives are 25-28.



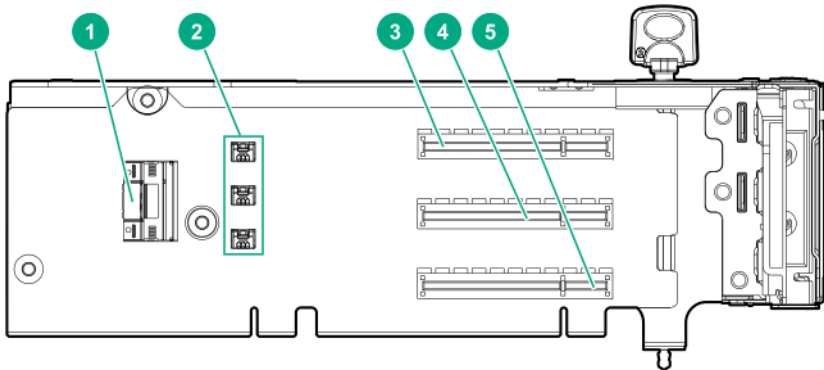
# Riser components

## 4-port NVMe Slimline riser



Item	Description
1-4	x8 Slimline NVMe connectors

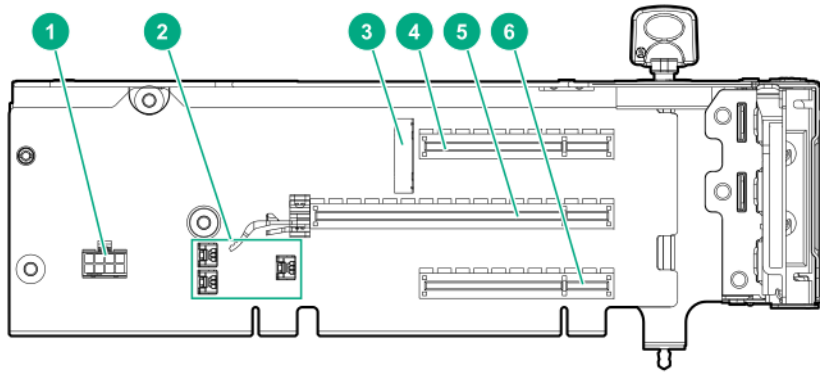
## Three-slot with NVMe Slimline riser



Item	Description
1	x8 Slimline NVMe connector
2	Controller backup power connectors (3)
3-5	x8 PCIe slots



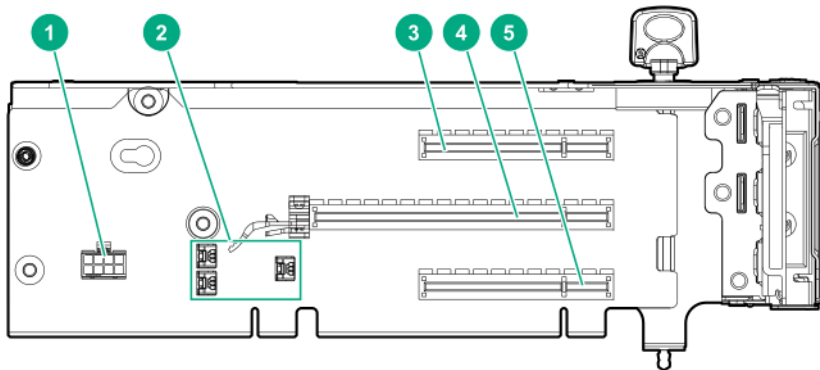
### Three-slot with M.2 riser



Item	Description
1	GPU power cable connector
2	Controller backup power connectors (3)
3	M.2 SSD drive connectors <sup>1</sup>
4	x8 PCIe slot
5	x16 PCIe slot
6	x8 PCIe slot

<sup>1</sup> The riser supports installation of a second M.2 SSD drive on the reverse side.

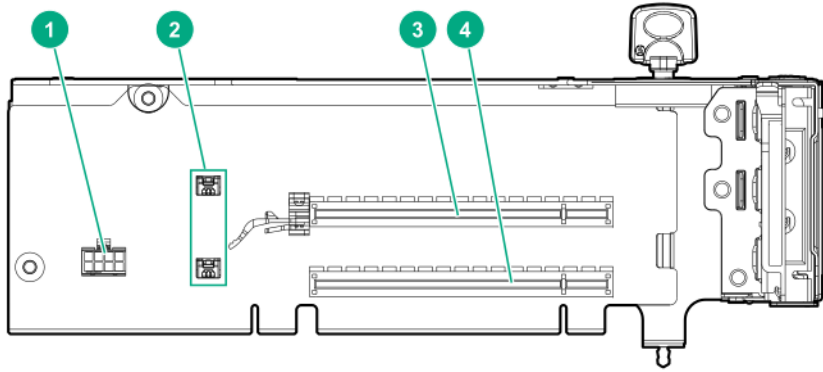
### Three-slot GPU riser



Item	Description
1	GPU power cable connector
2	Controller backup power connectors (3)
3	x8 PCIe slot
4	x16 PCIe slot
5	x8 PCIe slot

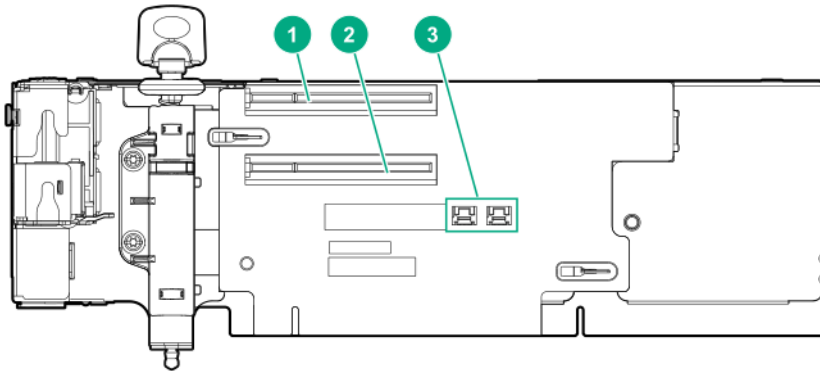


### Two-slot GPU riser



Item	Description
1	GPU power cable connector
2	Controller backup power connectors (2)
3	x16 PCIe slot
4	x16 PCIe slot

### Two-slot x8 riser (tertiary)

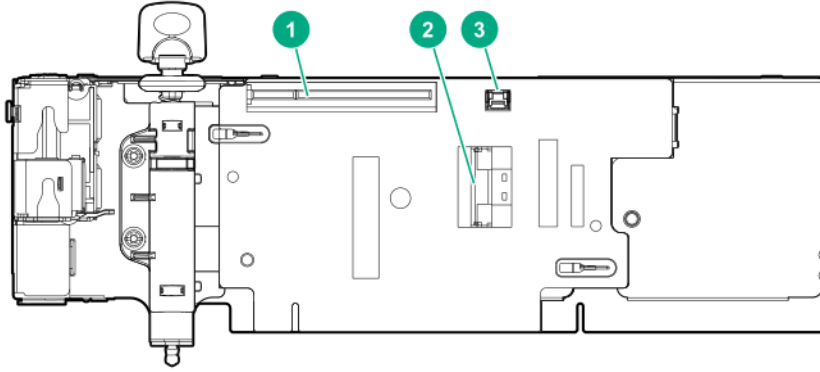


Item	Description
1	x8 PCIe slot
2	x8 PCIe slot
3	Controller backup power connectors (2)



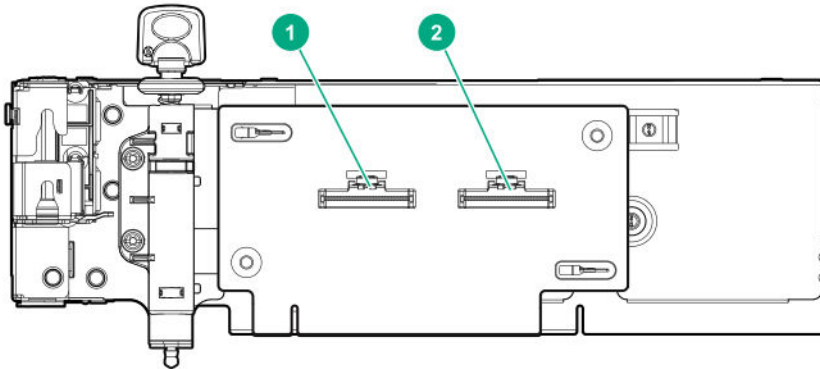


### x8 riser (tertiary)



Item	Description
1	x8 PCIe slot
2	x8 Slimline NVMe connector
3	Controller backup power connector

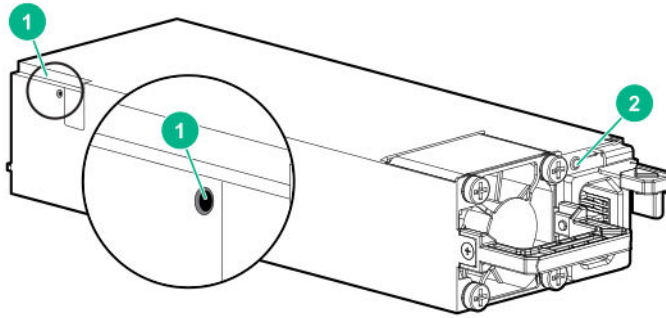
### Dual Slimline riser (tertiary)



Item	Description
1	x8 Slimline NVMe connector
2	x8 Slimline NVMe connector



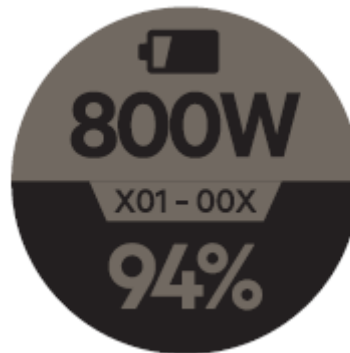
# HPE Flex Slot Power Supply with Integrated Battery Backup Unit components and LED



1. Battery check button
2. Power LED

For more information about the HPE Flex Slot Power Supply with Integrated Battery Backup Unit, see the document that ships with the component.

The label on the component indicates that the flex slot power supply has an integrated battery back up module.



**Figure 1: HPE Flex Slot Power Supply with Integrated Battery Backup Unit label**

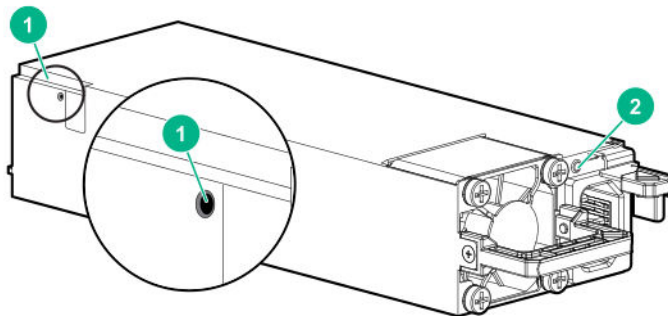
## Checking the battery backup charge level

### Procedure

1. Using a ball tip pen, press and release the battery check button.

After releasing the button, you might have to wait up to seven seconds before the LED starts flashing.





2. Note the number of LED flashes and reference the following table.

Flashes	Battery State RSOC <sup>1</sup>
0	Battery bad/failed
1	RSOC <= 29%
2	30% <= RSOC <= 62%
3	63% <= RSOC <= 94%
4	95% <= RSOC

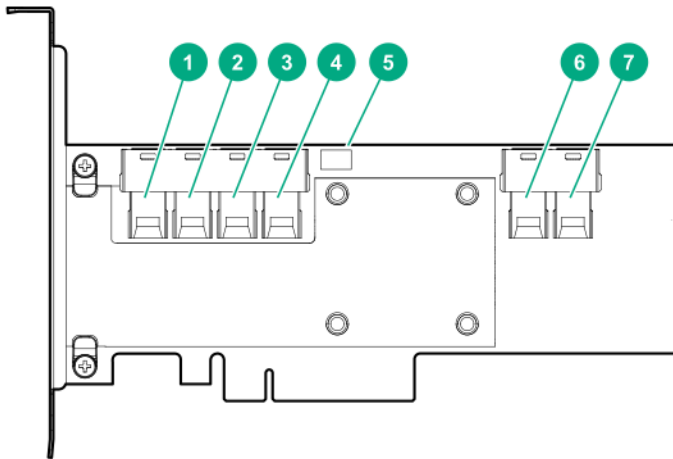
<sup>1</sup> Relative State of Charge

The battery will fully charge within one hour of being installed into the server.

## HPE 12G SAS Expander Card port numbering



# HPE Smart Array P824i-p MR Gen10 Controller

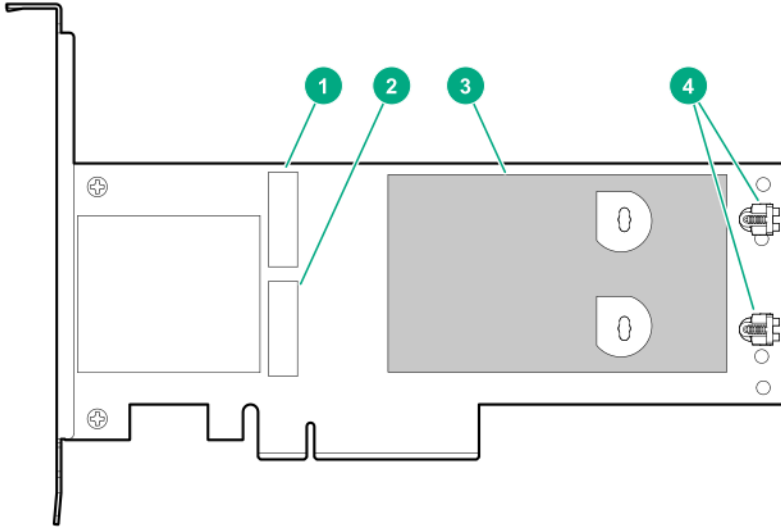


## Components

Item	Description
1	Internal SAS port 1i
2	Internal SAS port 2i
3	Internal SAS port 3i
4	Internal SAS port 4i
5	Controller backup power cable connector
6	Internal SAS port 5i
7	Internal SAS port 6i

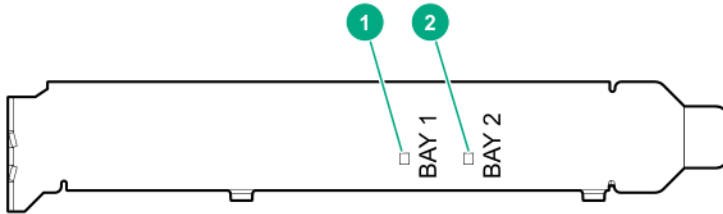


## HPE NS204i-p NVMe OS Boot Device components



Item	Description
1	Drive bay 1
2	Drive bay 2
3	Thermal interface pad with removable liner
4	M.2 drive retaining latches

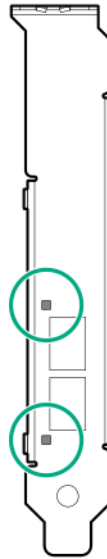
## HPE NS204i-p NVMe OS Boot Device LED definitions



Item	Description	Fault LED status
1	Bay 1 LED	Off: Normal
2	Bay 2 LED	Flashing 1Hz: Drive predictive failure Amber: Drive failure



# HPE InfiniBand HDR/Ethernet 940QSFP 56x16 adapter LEDs

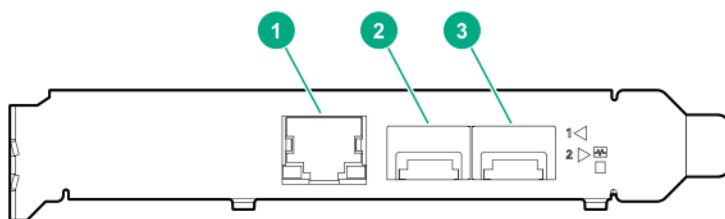


Link LED status <sup>1</sup>	Description
Off	A link has not been established.
Solid amber	Active physical link exists
Blinking amber	4 Hz blinking amber indicates a problem with the physical link.
Solid green	A valid logical (data activity) link exists with no active traffic.
Blinking green	A valid logical link exists with active traffic.

<sup>1</sup> 2-port adapter LEDs are shown. The 1-port adapters have only a single LED.

## DSC-25 2-port SFP28 card ports and LEDs

### Ports

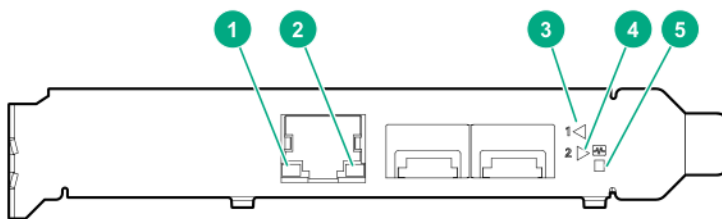


**Table 1: Ports**

Item	Port	Description
1	Management port	1GbE RJ45
2	Network interface port	10/25G SFP+ based
3	Network interface port	10/25G SFP+ based

**LEDs**

The HPE for Pensando DSP DSC-25 2p SFP28 card is a dual-port, single-slot, half-height, half-length (HHHL) SFP28 network adapter. It has LEDs for Link (L) and Activity (A) for each port. A half-height bracket is shown in the following illustration with SFP28 ports and LEDs.

**Table 2: LED indicators**

Item	LED	Status	Description
1	Management Port Activity LED	Off	No activity
		Flashing	Passing traffic; flashing frequency indicates traffic intensity
2	Management Port Link LED	Off	A link has not been established
		Solid green	Valid Ethernet link
3	SFP Port 1 Link/Activity LED	Off	A link has not been established
		Solid green	Valid Ethernet link
		Flashing green	Passing traffic; flashing frequency indicates traffic intensity
		Solid amber	Link fault
4	SFP Port 2 Link/Activity LED	Off	A link has not been established
		Solid green	Valid Ethernet link

*Table Continued*

<b>Item</b>	<b>LED</b>	<b>Status</b>	<b>Description</b>
		Flashing green	Passing traffic; flashing frequency indicates traffic intensity
		Solid amber	Link fault
5	System status LED	Off	System is not powered
		Solid amber	Power is up, software has not booted yet
		Solid green	System is up and fully operational





# Operations

## Power up the server


To power up the server, use one of the following methods:

- Press the Power On/Standby button.
- Use the virtual power button through iLO.

## Power down the server

Before powering down the server for any upgrade or maintenance procedures, perform a backup of critical server data and programs.

---

 **IMPORTANT:** When the server is in standby mode, auxiliary power is still being provided to the system.

---


To power down the server, use one of the following methods:

- Press and release the Power On/Standby button.  
This method initiates a controlled shutdown of applications and the OS before the server enters standby mode.
- Press and hold the Power On/Standby button for more than 4 seconds to force the server to enter standby mode.  
This method forces the server to enter standby mode without properly exiting applications and the OS. If an application stops responding, you can use this method to force a shutdown.
- Use a virtual power button selection through iLO.  
This method initiates a controlled remote shutdown of applications and the OS before the server enters standby mode.

Before proceeding, verify that the server is in standby mode by observing that the system power LED is amber.

## Extending the server from the rack

---

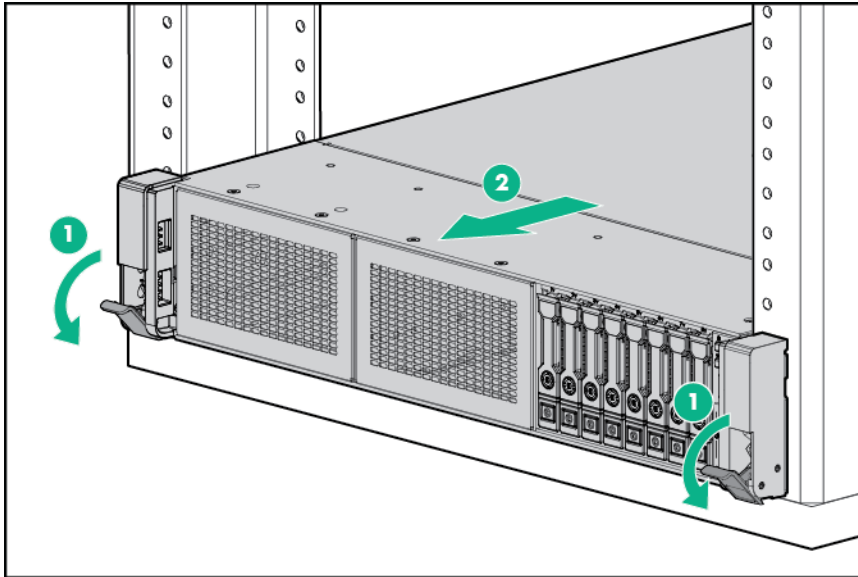
 **WARNING:** To reduce the risk of personal injury or equipment damage, be sure that the rack is adequately stabilized before extending anything from the rack.

---

### Procedure

Pull down the quick release levers on each side of the server, and then extend the server from the rack.





## Removing the server from the rack

To remove the server from a Hewlett Packard Enterprise, Compaq-branded, Telco, or third-party rack:

### Procedure

1. **Power down the server.**
2. **Extend the server from the rack.**
3. Disconnect the cabling and remove the server from the rack.  
For more information, see the documentation that ships with the rack mounting option.
4. Place the server on a sturdy, level surface.

## Secure cables using the cable management arm

For rack rail installation instructions, see the documentation that ships with the rack rails.



**WARNING:** To reduce the risk of electric shock, fire, or damage to the equipment:

- Do not insert wrong connectors into ports.
- Do not disable the power cord grounding plug. The grounding plug is an important safety feature.
- Plug the power cord into a grounded (earthed) electrical outlet that is easily accessible at all times.
- Unplug the power cord from the power supply to disconnect power to the equipment.
- Do not route the power cord where it can be walked on or pinched by items placed against it. Pay particular attention to the plug, electrical outlet, and the point where the cord extends from the server.

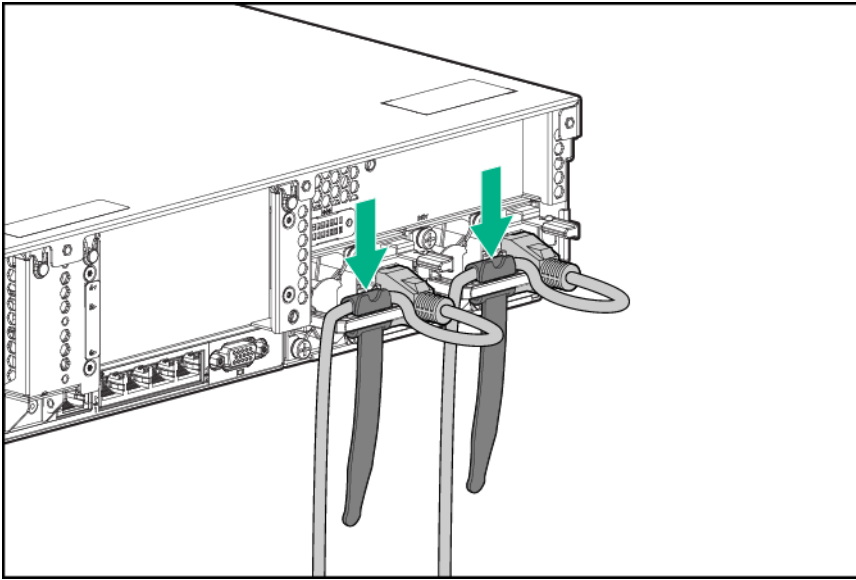
### Procedure

1. After the server is racked, connect any peripheral devices to the server.



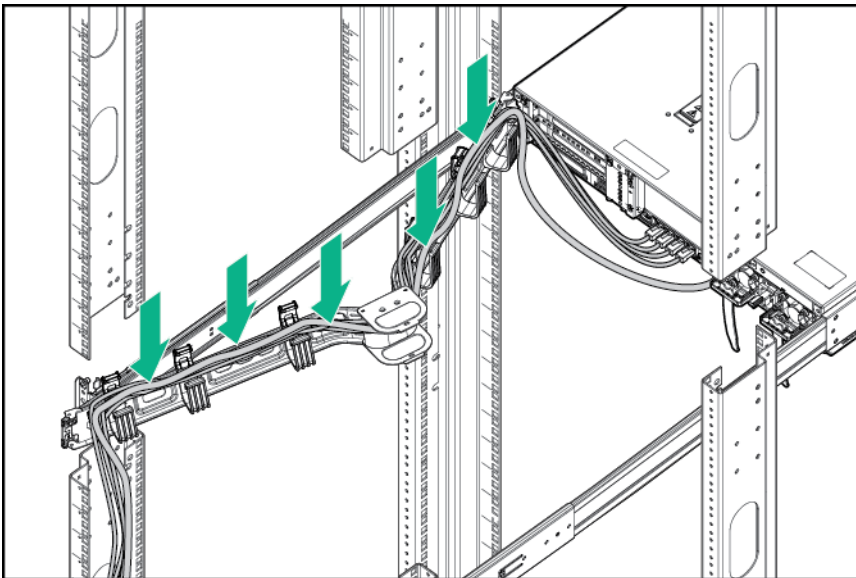
To identify components, see **Rear panel components**.

2. At the rear of the server, plug in the power cord to the power supply.
3. Install the power cord anchors.



4. Secure the cables to the cable management arm.

**!** **IMPORTANT:** Leave enough slack in each of the cables to prevent damage to the cables when the server is extended from the rack.

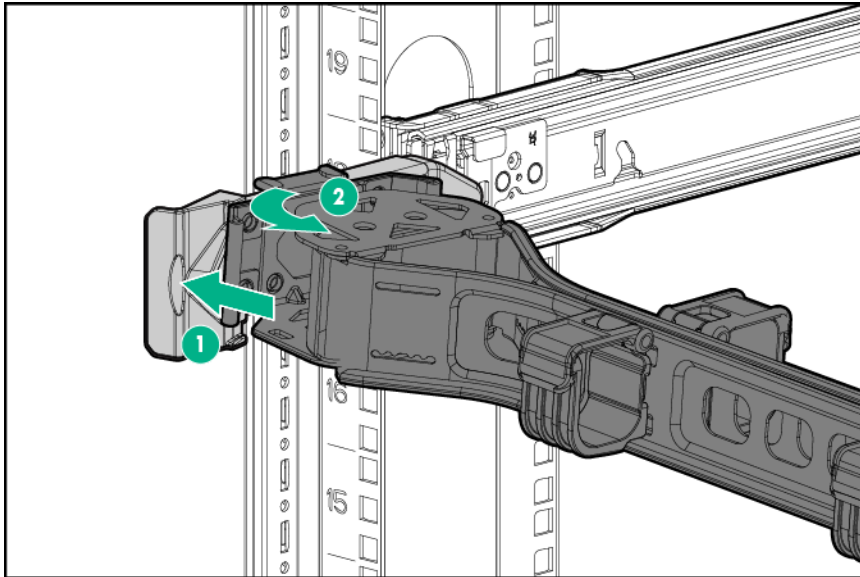


5. Connect the power cord to the AC power source.

## Release the cable management arm

Release the cable management arm and then swing the arm away from the rack.





## Remove the access panel

- 
- ⚠ WARNING:** To reduce the risk of personal injury from hot surfaces, allow the drives, power supplies, and internal system components to cool before touching them.
- 
- ⚠ CAUTION:** Do not operate the chassis for long periods with the access panel open or removed. Operating the chassis in this manner results in improper airflow and improper cooling that can lead to thermal damage.
- 

### Procedure

1. **Power down the server.**
2. **Extend the server from the rack.**
3. Open or unlock the locking latch, slide the access panel to the rear of the chassis, and remove the access panel.

## Install the access panel

### Procedure

1. Place the access panel on top of the server with the latch open.  
Allow the panel to extend past the rear of the server approximately 1.25 cm (0.5 in).
2. Push down on the latch.  
The access panel slides to a closed position.
3. Tighten the security screw on the latch, if needed.



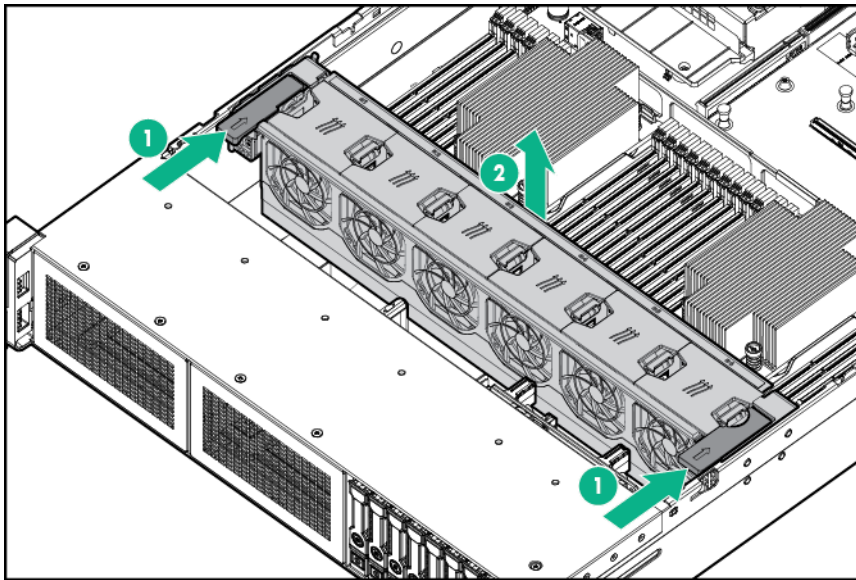
## Removing the fan cage

**CAUTION:** Do not operate the server for long periods with the access panel open or removed. Operating the server in this manner results in improper airflow and improper cooling that can lead to thermal damage.

**IMPORTANT:** For optimum cooling, install fans in all primary fan locations.

### Procedure

- 1. Power down the server.**
- Do one of the following:
  - Disconnect each power cord from the power source.
  - Disconnect each power cord from the server.
- Do one of the following:
  - **Extend the server from the rack.**
  - **Remove the server from the rack.**
- Remove the access panel.**
- Remove the air baffle.**
- Remove the fan cage.



## Installing the fan cage

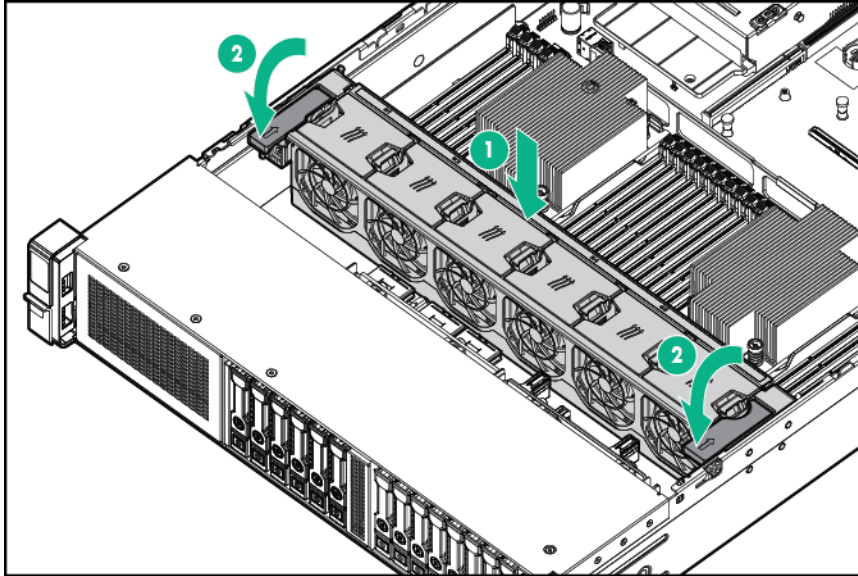
**CAUTION:** Do not operate the server for long periods with the access panel open or removed. Operating the server in this manner results in improper airflow and improper cooling that can lead to thermal damage.



---

**!** **IMPORTANT:** For optimum cooling, install fans in all primary fan locations.

---



## Removing the air baffle or midplane drive cage

**⚠ CAUTION:** Do not detach the cable that connects the battery pack to the cache module. Detaching the cable causes any unsaved data in the cache module to be lost.

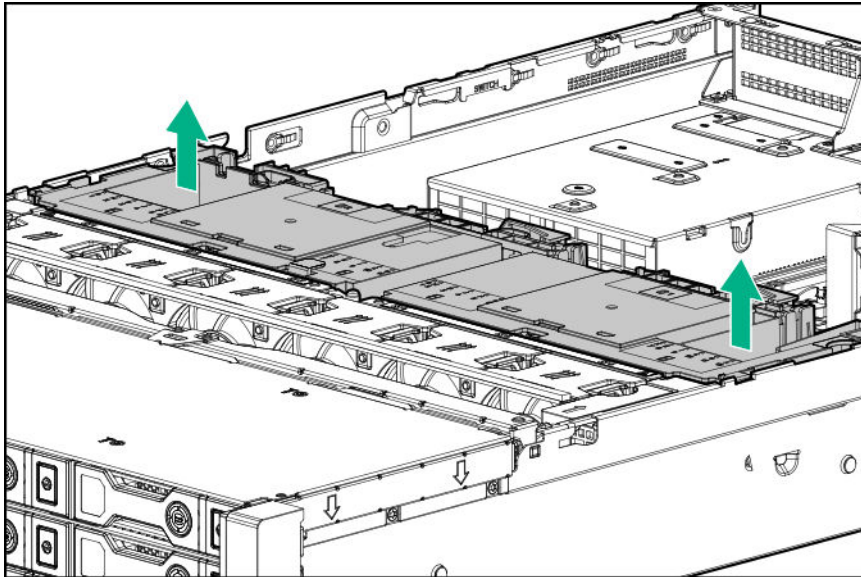
**⚠ CAUTION:** For proper cooling, do not operate the server without the access panel, baffles, expansion slot covers, or blanks installed. If the server supports hot-plug components, minimize the amount of time the access panel is open.

---

### Procedure

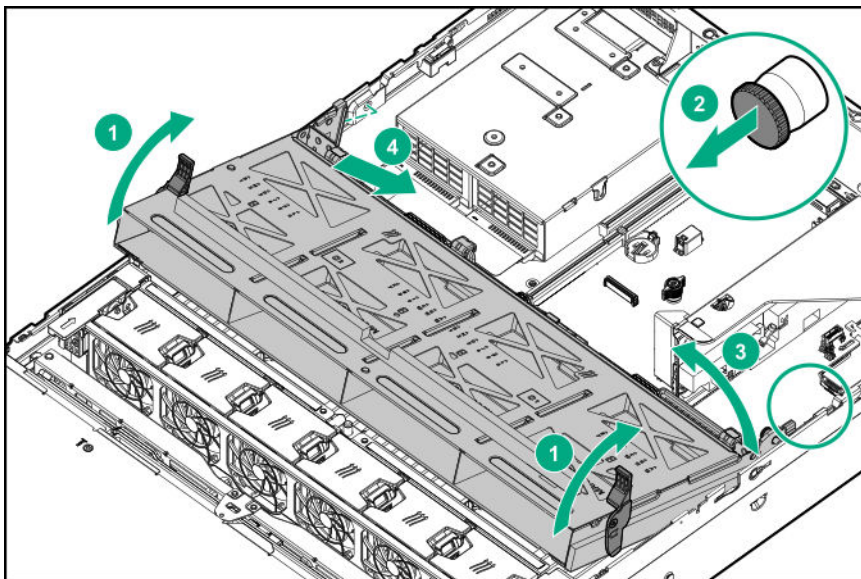
1. **Power down the server.**
2. Remove all power:
  - a. Disconnect each power cord from the power source.
  - b. Disconnect each power cord from the server.
3. Do one of the following:
  - **Extend the server from the rack.**
  - **Remove the server from the rack.**
4. **Remove the access panel.**
5. Do one of the following:
  - Remove the air baffle.





- Remove the 4LFF midplane drive cage:
  - a. Disconnect all cables.
  - b. Remove all drives.  
Be sure to note the location of each drive.
  - c. Remove the drive cage.

**⚠ CAUTION:** Do not drop the drive cage on the system board. Dropping the drive cage on the system board might damage the system or components. Remove all drives and use two hands when installing or removing the drive cage.



# Installing the air baffle

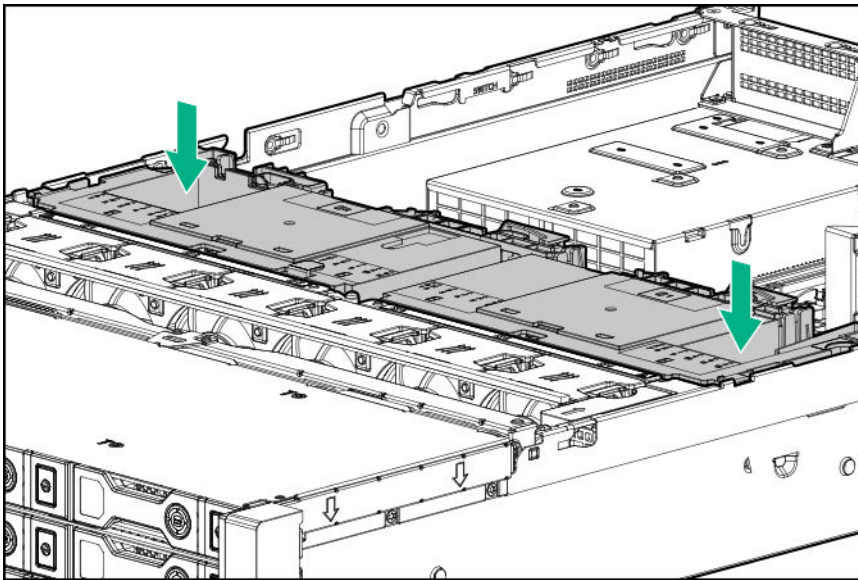
## Procedure

1. Observe the following alerts.

**CAUTION:** For proper cooling, do not operate the server without the access panel, baffles, expansion slot covers, or blanks installed. If the server supports hot-plug components, minimize the amount of time the access panel is open.

**CAUTION:** Do not detach the cable that connects the battery pack to the cache module. Detaching the cable causes any unsaved data in the cache module to be lost.

2. Install the air baffle.



# Removing a riser cage

**CAUTION:** To prevent damage to the server or expansion boards, power down the server and remove all AC power cords before removing or installing the PCI riser cage.

## Procedure

1. **Power down the server.**
2. Remove all power:
  - a. Disconnect each power cord from the power source.
  - b. Disconnect each power cord from the server.
3. Do one of the following:



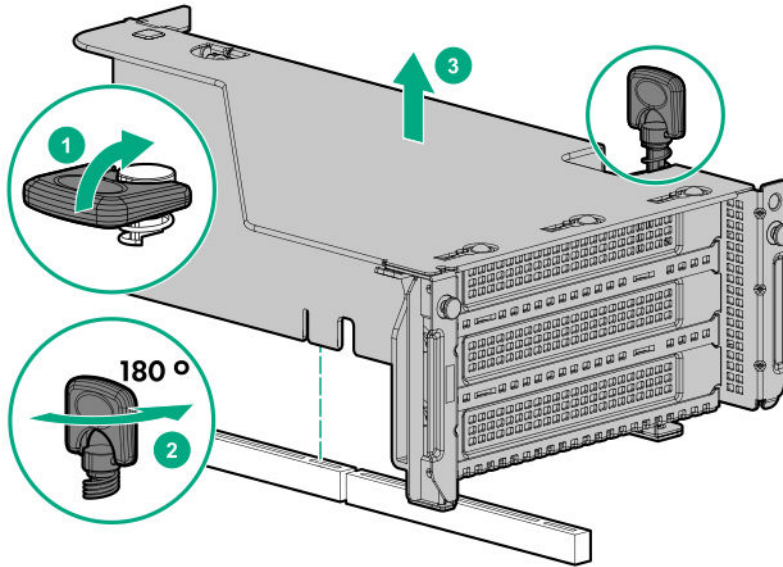


- **Extend the server from the rack.**
- **Remove the server from the rack.**

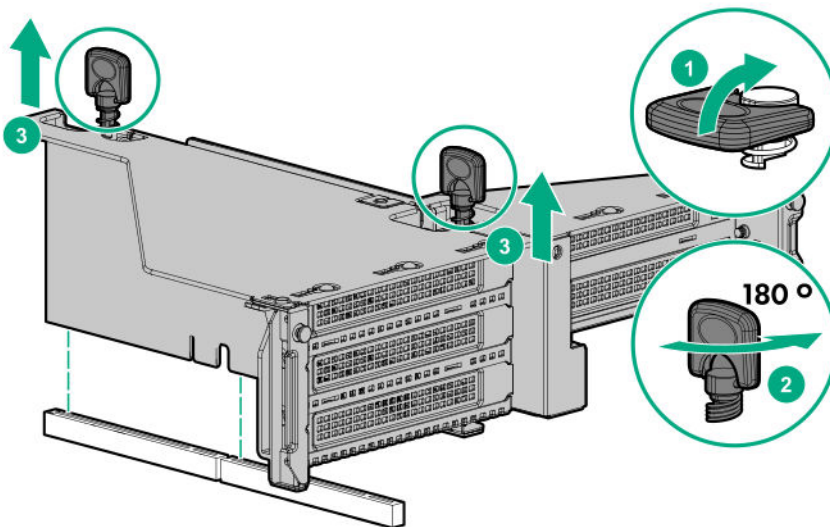
**4. Remove the access panel.**

**5. Remove the riser cage:**

- Primary and secondary riser cages



- Tertiary riser cage



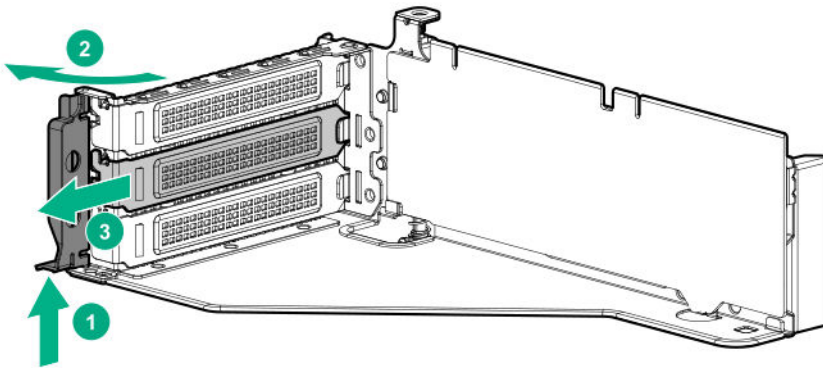
## Removing a riser slot blank

- ⚠ CAUTION:** To prevent improper cooling and thermal damage, do not operate the server unless all PCI slots have either an expansion slot cover or an expansion board installed.



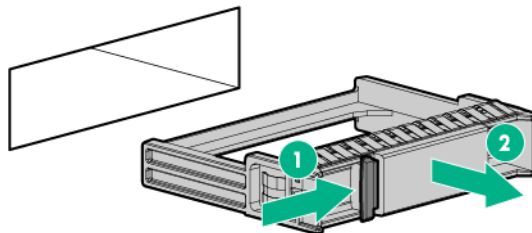
## Procedure

1. **Power down the server.**
2. Remove all power:
  - a. Disconnect each power cord from the power source.
  - b. Disconnect each power cord from the server.
3. Do one of the following:
  - **Extend the server from the rack.**
  - **Remove the server from the rack.**
4. **Remove the access panel.**
5. **Remove the riser cage.**
6. Remove the blank.



## Removing the hard drive blank

Remove the component as indicated.



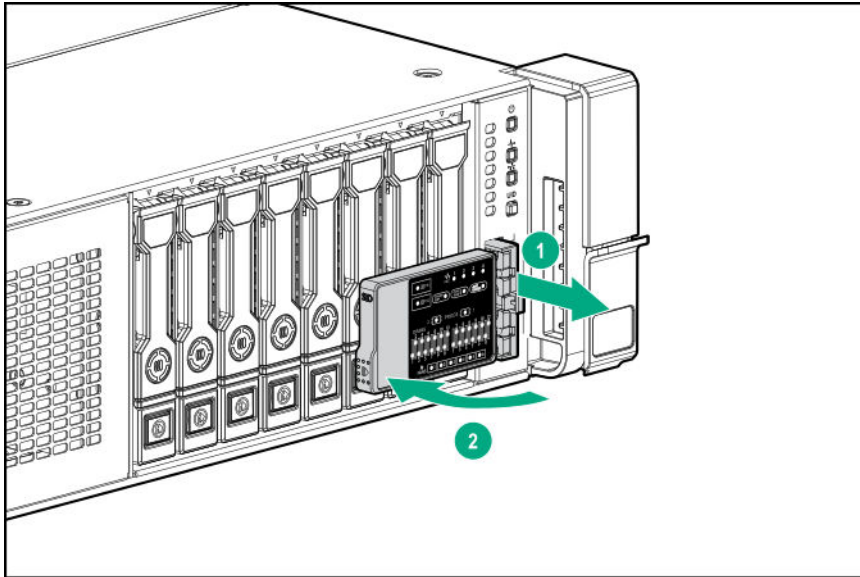
## Accessing the Systems Insight Display

The Systems Insight Display is supported only on SFF models.

### Procedure

1. Press and release the panel.
2. After the display fully ejects, rotate the display to view the LEDs.





# Setup

## HPE support services

Delivered by experienced, certified engineers, HPE support services help you keep your servers up and running with support packages tailored specifically for HPE ProLiant systems. HPE support services let you integrate both hardware and software support into a single package. A number of service level options are available to meet your business and IT needs.

HPE support services offer upgraded service levels to expand the standard product warranty with easy-to-buy, easy-to-use support packages that will help you make the most of your server investments. Some of the HPE support services for hardware, software or both are:

- Foundation Care – Keep systems running.
  - 6-Hour Call-to-Repair
  - 4-Hour 24x7
  - Next Business Day
- Proactive Care – Help prevent service incidents and get you to technical experts when there is one.
  - 6-Hour Call-to-Repair
  - 4-Hour 24x7
  - Next Business Day
- Startup and implementation services for both hardware and software
- HPE Education Services – Help train your IT staff.

For more information on HPE support services, see the [Hewlett Packard Enterprise website](#).

## Set up the server

### Prerequisites

Before setting up the server:

- Download the latest SPP:  
[\*\*http://www.hpe.com/servers/spp/download\*\*](http://www.hpe.com/servers/spp/download)  
Support validation required
- Verify that your OS or virtualization software is supported:  
[\*\*http://www.hpe.com/info/ossupport\*\*](http://www.hpe.com/info/ossupport)
- Read the operational requirements for the server:  
[\*\*Operational requirements\*\*](#)
- Read the safety and compliance information on the HPE website:  
[\*\*http://www.hpe.com/support/safety-compliance-enterpriseproducts\*\*](http://www.hpe.com/support/safety-compliance-enterpriseproducts)
- Obtain the storage driver if needed:



- Download it from the HPE support center website.
- Extract it from the SPP.

## Procedure

### Unbox the server

#### 1. Unbox the server and verify the contents:

- A server
- A power cord
- Rack-mounting hardware
- Documentation

#### 2. (Optional) Install hardware options.

For installation instructions, see "Hardware options installation."

### Rack the server

#### 3. Install the server in a rack.

The racking procedures are included with the rack rails.

- a. Connect devices, cables, and cords to the server.
- b. **Secure cables using the cable management arm.**

#### 4. Decide how to manage the server:

- Locally: use a KVM switch or a connect a keyboard, monitor, and mouse.
- Remotely: connect to the iLO web interface and run a remote console:
  - a. Verify the following:
    - iLO is licensed to use the remote console feature.  
If iLO is not licensed, visit <http://www.hpe.com/info/ilo>
    - The iLO management port is connected to a secure network.
  - b. Using a browser, navigate to the iLO web interface, and then log in.  
`https://<iLO hostname or IP address>`  
Note the following:
    - The hostname is located on the serial pull tab.
    - If a DHCP server assigns the IP address, the IP address appears on the boot screen.
    - If a static IP address is assigned, use that IP address.
    - The default login credentials are located on the serial label pull tab.
  - c. In the side navigation, click the **Remote Console & Media** link, and then launch a remote console.

### Power on the server

#### 5. Press the Power On/Standby button.

For remote management, use the iLO virtual power button.

## Update the firmware

### 6. Using the SPP, **update the following**:

- System ROM
- Storage controller
- Network adapters
- Intelligent Provisioning

## Set up storage

### 7. Do one of the following:

- To configure the server to boot from a SAN, see the following guide:

**<https://www.hpe.com/info/boot-from-san-config-guide>**

- If a smart array controller is installed:
  - For smart array SR controllers, use HPE Smart Storage Administrator to create arrays:
    - a. From the boot screen, press **F10** to run Intelligent Provisioning.
    - b. From Intelligent Provisioning, run **[HPE Smart Storage Administrator](#)**.
  - For smart array MR controllers, use the UEFI System Configuration to create arrays.

For procedures on creating arrays with MR controllers, see the following guide in the **[information library](#)**:

*HPE Smart Array P824i-p MR Gen10 User Guide*

---

**!** **IMPORTANT:** Smart array MR controllers are not supported by Intelligent Provisioning or Smart Storage Administrator.

---

**NOTE:** Before installing an OS with a smart array MR controller, configure the drives. If the drives are not configured, the OS will not detect the drives during installation. For more information, see the Smart Array MR user guide for your controller.

---

- If no controller is installed, do one of the following:
  - AHCI is enabled by default. You can deploy an OS or virtualization software.
  - Disable AHCI, enable software RAID, and then create an array:
    - a. From the boot screen, press **F9** to run UEFI System Utilities.
    - b. From the UEFI System Utilities screen, select **System Configurations > BIOS/Platform Configuration (RBSU) > Storage Options > SATA Controller Options > Embedded SATA configuration > Smart Array SW RAID Support**
    - c. Enable SW RAID.
    - d. Save the configuration and reboot the server.
    - e. Create an array:

- I. From the boot screen, press **F9** to run UEFI System Utilities.
- II. From the UEFI System Utilities screen, select **System Configuration > Embedded Storage: HPE Smart Storage S100i SR Gen10 > Array Configuration > Create Array**

### Deploy an OS or virtualization software

8. Do one of the following:

- Run Intelligent Provisioning to deploy an OS.

Press **F10** at the boot screen to run Intelligent Provisioning.

---

**!** **IMPORTANT:** Smart array MR controllers are not supported by Intelligent Provisioning or Smart Storage Administrator.

---

- Manually deploy an OS.

a. Insert the installation media.

For remote management, click **Virtual Drives** in the iLO remote console to mount images, drivers, or files to a virtual folder. If a storage driver is required to install the OS, use the virtual folder to store the driver.

b. Press **F11** at the boot screen to select the boot device.

c. After the OS is installed, update the drivers.

9. Register the server (<http://www.hpe.com/info/register>).

## Operational requirements

### Space and airflow requirements

To allow for servicing and adequate airflow, observe the following space and airflow requirements when deciding where to install a rack:

- Leave a minimum clearance of 63.5 cm (25 in) in front of the rack.
- Leave a minimum clearance of 76.2 cm (30 in) behind the rack.
- Leave a minimum clearance of 121.9 cm (48 in) from the back of the rack to the back of another rack or row of racks.

Hewlett Packard Enterprise servers draw in cool air through the front door and expel warm air through the rear door. Therefore, the front and rear rack doors must be adequately ventilated to allow ambient room air to enter the cabinet, and the rear door must be adequately ventilated to allow the warm air to escape from the cabinet.

---

**⚠ CAUTION:** To prevent improper cooling and damage to the equipment, do not block the ventilation openings.

---

When vertical space in the rack is not filled by a server or rack component, the gaps between the components cause changes in airflow through the rack and across the servers. Cover all gaps with blanking panels to maintain proper airflow.

---

**⚠ CAUTION:** Always use blanking panels to fill empty vertical spaces in the rack. This arrangement ensures proper airflow. Using a rack without blanking panels results in improper cooling that can lead to thermal damage.

---

The 9000 and 10000 Series Racks provide proper server cooling from flow-through perforations in the front and rear doors that provide 64 percent open area for ventilation.

---

**⚠ CAUTION:** When using a Compaq branded 7000 series rack, install the high airflow rack door insert (PN 327281-B21 for 42U rack, PN 157847-B21 for 22U rack) to provide proper front-to-back airflow and cooling.

---

**⚠ CAUTION:** If a third-party rack is used, observe the following additional requirements to ensure adequate airflow and to prevent damage to the equipment:

- Front and rear doors—If the 42U rack includes closing front and rear doors, you must allow 5,350 sq cm (830 sq in) of holes evenly distributed from top to bottom to permit adequate airflow (equivalent to the required 64 percent open area for ventilation).
  - Side—The clearance between the installed rack component and the side panels of the rack must be a minimum of 7 cm (2.75 in).
- 

## Temperature requirements

To ensure continued safe and reliable equipment operation, install or position the system in a well-ventilated, climate-controlled environment.

The maximum recommended ambient operating temperature (TMRA) for most server products is 35°C (95°F). The temperature in the room where the rack is located must not exceed 35°C (95°F).

---

**⚠ CAUTION:** To reduce the risk of damage to the equipment when installing third-party options:

- Do not permit optional equipment to impede airflow around the server or to increase the internal rack temperature beyond the maximum allowable limits.
  - Do not exceed the manufacturer's TMRA.
- 

## Power requirements

Installation of this equipment must comply with local and regional electrical regulations governing the installation of information technology equipment by licensed electricians. This equipment is designed to operate in installations covered by NFPA 70, 1999 Edition (National Electric Code) and NFPA-75, 1992 (Code for Protection of Electronic Computer/Data Processing Equipment). For electrical power ratings on options, refer to the product rating label or the user documentation supplied with that option.

---

**⚠ WARNING:** To reduce the risk of personal injury, fire, or damage to the equipment, do not overload the AC supply branch circuit that provides power to the rack. Consult the electrical authority having jurisdiction over wiring and installation requirements of your facility.

---

**⚠ CAUTION:** Protect the server from power fluctuations and temporary interruptions with a regulating uninterruptible power supply. This device protects the hardware from damage caused by power surges and voltage spikes and keeps the system in operation during a power failure.

---

## Electrical grounding requirements

The server must be grounded properly for proper operation and safety. In the United States, you must install the equipment in accordance with NFPA 70, 1999 Edition (National Electric Code), Article 250, as well as any local and regional building codes. In Canada, you must install the equipment in accordance with Canadian Standards Association, CSA C22.1, Canadian Electrical Code. In all other countries, you must install the equipment in accordance with any regional or national electrical wiring codes, such as the International Electrotechnical Commission (IEC) Code 364, parts 1 through 7. Furthermore, you must be sure that all power distribution devices used in the installation, such as branch wiring and receptacles, are listed or certified grounding-type devices.



Because of the high ground-leakage currents associated with multiple servers connected to the same power source, Hewlett Packard Enterprise recommends the use of a PDU that is either permanently wired to the building's branch circuit or includes a nondetachable cord that is wired to an industrial-style plug. NEMA locking-style plugs or those complying with IEC 60309 are considered suitable for this purpose. Using common power outlet strips for the server is not recommended.

## Connecting a DC power cable to a DC power source

---



**WARNING:** To reduce the risk of electric shock or energy hazards:

- This equipment must be installed by trained service personnel, as defined by the NEC and IEC 60950-1, Second Edition, the standard for Safety of Information Technology Equipment.
  - Connect the equipment to a reliably grounded Secondary circuit source. A Secondary circuit has no direct connection to a Primary circuit and derives its power from a transformer, converter, or equivalent isolation device.
  - The branch circuit overcurrent protection must be rated 27 A.
- 
- 



**WARNING:** When installing a DC power supply, the ground wire must be connected before the positive or negative leads.

---

---



**WARNING:** Remove power from the power supply before performing any installation steps or maintenance on the power supply.

---

---



**CAUTION:** The server equipment connects the earthed conductor of the DC supply circuit to the earthing conductor at the equipment. For more information, see the documentation that ships with the power supply.

---

---



**CAUTION:** If the DC connection exists between the earthed conductor of the DC supply circuit and the earthing conductor at the server equipment, the following conditions must be met:

- This equipment must be connected directly to the DC supply system earthing electrode conductor or to a bonding jumper from an earthing terminal bar or bus to which the DC supply system earthing electrode conductor is connected.
  - This equipment should be located in the same immediate area (such as adjacent cabinets) as any other equipment that has a connection between the earthed conductor of the same DC supply circuit and the earthing conductor, and also the point of earthing of the DC system. The DC system should be earthed elsewhere.
  - The DC supply source is to be located within the same premises as the equipment.
  - Switching or disconnecting devices should not be in the earthed circuit conductor between the DC source and the point of connection of the earthing electrode conductor.
- 
- 


To connect a DC power cable to a DC power source:

1. Cut the DC power cord ends no shorter than 150 cm (59.06 in).
  2. If the power source requires ring tongues, use a crimping tool to install the ring tongues on the power cord wires.
- 



**IMPORTANT:** The ring terminals must be UL approved and accommodate 12 gauge wires.

---


- 
-  **IMPORTANT:** The minimum nominal thread diameter of a pillar or stud type terminal must be 3.5 mm (0.138 in); the diameter of a screw type terminal must be 4.0 mm (0.157 in).
- 


3. Stack each same-colored pair of wires and then attach them to the same power source. The power cord consists of three wires (black, red, and green).


For more information, see the documentation that ships with the power supply.


## Server warnings and cautions

---

-  **WARNING:** This server is heavy. To reduce the risk of personal injury or damage to the equipment:
- Observe local occupational health and safety requirements and guidelines for manual material handling.
  - Get help to lift and stabilize the product during installation or removal, especially when the product is not fastened to the rails. Hewlett Packard Enterprise recommends that a minimum of two people are required for all rack server installations. If the server is installed higher than chest level, a third person may be required to help align the server.
  - Use caution when installing the server in or removing the server from the rack; it is unstable when not fastened to the rails.
- 

-  **WARNING:** To reduce the risk of personal injury from hot surfaces, allow the drives and the internal system components to cool before touching them.
- 

-  **WARNING:** To reduce the risk of personal injury, electric shock, or damage to the equipment, remove the power cord to remove power from the server. The front panel Power On/Standby button does not completely shut off system power. Portions of the power supply and some internal circuitry remain active until AC/DC power is removed.
- 

-  **WARNING:** To reduce the risk of fire or burns after removing the energy pack:
- Do not disassemble, crush, or puncture the energy pack.
  - Do not short external contacts.
  - Do not dispose of the energy pack in fire or water.


After power is disconnected, battery voltage might still be present for 1s to 160s.


**AVERTISSEMENT:** Pour réduire les risques d'incendie ou de brûlures après le retrait du module batterie :

- N'essayez pas de démonter, d'écraser ou de percer le module batterie.
- Ne court-circuitiez pas ses contacts externes.
- Ne jetez pas le module batterie dans le feu ou dans l'eau.

Après avoir déconnecté l'alimentation, une tension peut subsister dans la batterie durant 1 à 160 secondes.

---

-  **CAUTION:** Protect the server from power fluctuations and temporary interruptions with a regulating uninterruptible power supply. This device protects the hardware from damage caused by power surges and voltage spikes and keeps the system in operation during a power failure.
- 

-  **CAUTION:** Do not operate the server for long periods with the access panel open or removed. Operating the server in this manner results in improper airflow and improper cooling that can lead to thermal damage.
-

## Rack warnings

---



**WARNING:** To reduce the risk of personal injury or damage to the equipment, be sure that:

- The leveling jacks are extended to the floor.
  - The full weight of the rack rests on the leveling jacks.
  - The stabilizing feet are attached to the rack if it is a single-rack installation.
  - The racks are coupled together in multiple-rack installations.
  - Only one component is extended at a time. A rack may become unstable if more than one component is extended for any reason.
- 
- 



**WARNING:** To reduce the risk of personal injury or equipment damage when unloading a rack:

- At least two people are needed to safely unload the rack from the pallet. An empty 42U rack can weigh as much as 115 kg (253 lb), can stand more than 2.1 m (7 ft) tall, and might become unstable when being moved on its casters.
  - Never stand in front of the rack when it is rolling down the ramp from the pallet. Always handle the rack from both sides.
- 
- 



**WARNING:** To reduce the risk of personal injury or damage to the equipment, adequately stabilize the rack before extending a component outside the rack. Extend only one component at a time. A rack may become unstable if more than one component is extended.

---

---



**WARNING:** When installing a server in a telco rack, be sure that the rack frame is adequately secured at the top and bottom to the building structure.

---

## Electrostatic discharge

Be aware of the precautions you must follow when setting up the system or handling components. A discharge of static electricity from a finger or other conductor may damage system boards or other static-sensitive devices. This type of damage may reduce the life expectancy of the system or component.

To prevent electrostatic damage:

- Avoid hand contact by transporting and storing products in static-safe containers.
- Keep electrostatic-sensitive parts in their containers until they arrive at static-free workstations.
- Place parts on a grounded surface before removing them from their containers.
- Avoid touching pins, leads, or circuitry.
- Always be properly grounded when touching a static-sensitive component or assembly. Use one or more of the following methods when handling or installing electrostatic-sensitive parts:
  - Use a wrist strap connected by a ground cord to a grounded workstation or computer chassis. Wrist straps are flexible straps with a minimum of 1 megohm  $\pm$ 10 percent resistance in the ground cords. To provide proper ground, wear the strap snug against the skin.
  - Use heel straps, toe straps, or boot straps at standing workstations. Wear the straps on both feet when standing on conductive floors or dissipating floor mats.

- Use conductive field service tools.
- Use a portable field service kit with a folding static-dissipating work mat.

If you do not have any of the suggested equipment for proper grounding, have an authorized reseller install the part.

For more information on static electricity or assistance with product installation, contact an authorized reseller.

## Server box contents

The server shipping box contains the following contents:

- A server
- A power cord
- Rack-mounting hardware (optional)
- Documentation

## Installing hardware options

Install any hardware options before initializing the server. For options installation information, refer to the option documentation. For server-specific information, refer to "[Hardware options installation](#)."

## POST screen options

When the server is powered on, the POST screen is displayed. The following options are displayed:

- **System Utilities (F9)**  
Use this option to configure the system BIOS.
- **Intelligent Provisioning (F10)**  
Use this option to deploy an operating system or configure storage.
- **Boot order (F11)**  
Use this option to make a one-time boot selection.
- **Network boot (F12)**  
Use this option to boot the server from the network.

## Installing or deploying an operating system

Before installing an operating system, observe the following:

- Be sure to read the HPE UEFI requirements for ProLiant servers on the [Hewlett Packard Enterprise website](#). If UEFI requirements are not met, you might experience boot failures or other errors when installing the operating system.
- Update firmware before using the server for the first time, unless software or components require an older version. For more information, see [Keeping the system current](#).
- For the latest information on supported operating systems, see the [Hewlett Packard Enterprise website](#).
- The server does not ship with OS media. All system software and firmware is preloaded on the server.



## Registering the server

To experience quicker service and more efficient support, register the product at the [\*\*Hewlett Packard Enterprise Product Registration website\*\*](#).



# Hardware options installation

## Product QuickSpecs

For more information about product features, specifications, options, configurations, and compatibility, see the product QuickSpecs on the Hewlett Packard Enterprise website (<https://www.hpe.com/info/qs>).

## Introduction

Install any hardware options before initializing the server. If multiple options are being installed, read the installation instructions for all the hardware options to identify similar steps and streamline the installation process.

---

**⚠ WARNING:** To reduce the risk of personal injury from hot surfaces, allow the drives and the internal system components to cool before touching them.

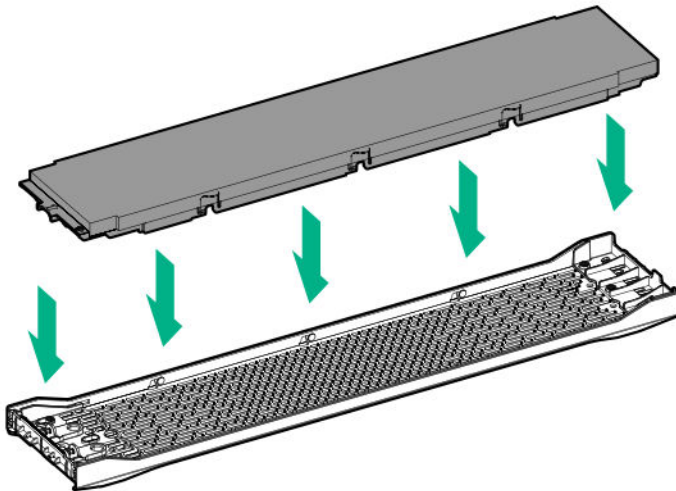
---

**⚠ CAUTION:** To prevent damage to electrical components, properly ground the server before beginning any installation procedure. Improper grounding can cause electrostatic discharge.

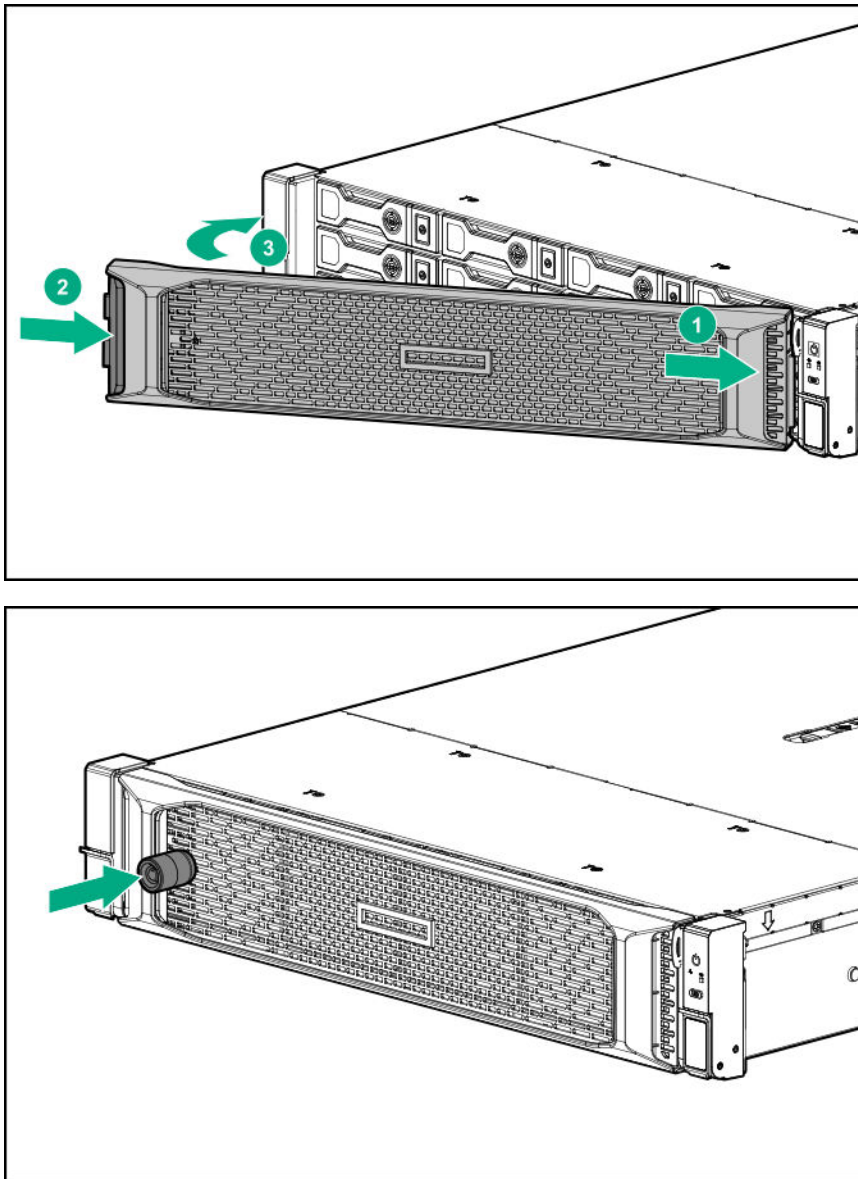
---

## Installing a fan filter into the security bezel

The fan filter installs into the security bezel. To add a fan filter, the server must have a security bezel.



## Installing the bezel and bezel lock



## Power supply options

### Hot-plug power supply calculations

For hot-plug power supply specifications and calculators to determine electrical and heat loading for the server, see the Hewlett Packard Enterprise Power Advisor website (<https://www.hpe.com/info/poweradvisor/online>).

### Installing a redundant hot-plug power supply

**CAUTION:** All power supplies installed in the server must have the same output power capacity. Verify that all power supplies have the same part number and label color. The system becomes unstable and might shut down if it detects different power supplies.



---

**CAUTION:** To prevent improper cooling and thermal damage, do not operate the server unless all bays are populated with either a component or a blank.

---

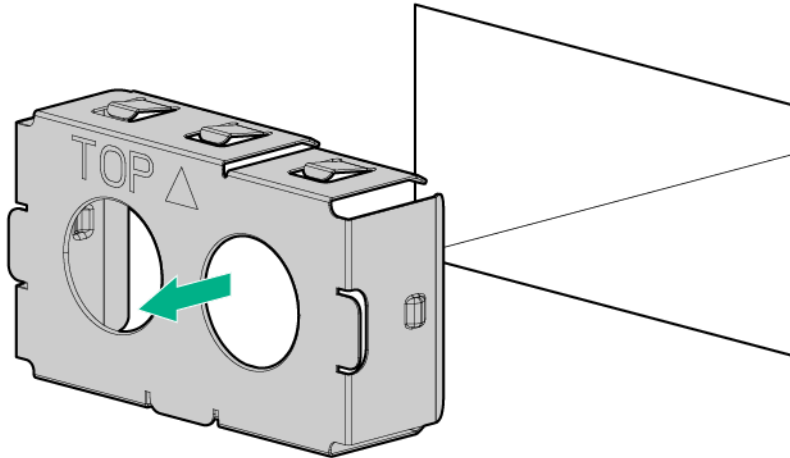
**Procedure**

**1. Release the cable management arm to access the rear panel.**

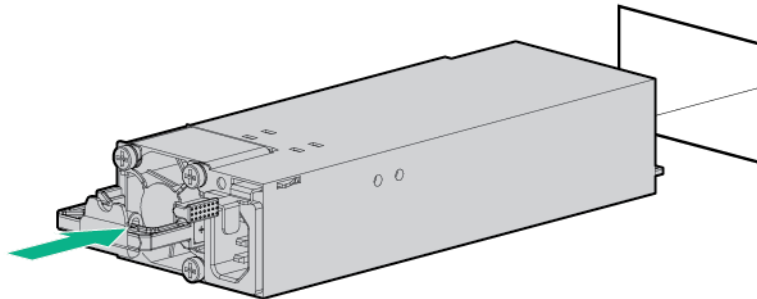
**2.** Remove the blank.

**WARNING:** To reduce the risk of personal injury from hot surfaces, allow the power supply or power supply blank to cool before touching it.

---



**3.** Insert the power supply into the power supply bay until it clicks into place.



**4.** Connect the power cord to the power supply.

**5.** Route the power cord.

Use the cable management arm and best practices when routing cords and cables.

**6.** Connect the power cord to the power source.

**7.** Observe the power supply LED.





# Energy pack options

Hewlett Packard Enterprise offers two centralized backup power source options to back up write cache content on P-class Smart Array controllers in case of an unplanned server power outage.

- **HPE Smart Storage Battery**
- **HPE Smart Storage Hybrid Capacitor**

---

**!** **IMPORTANT:** The HPE Smart Storage Hybrid Capacitor is only supported on Gen10 and later servers that support the 96W HPE Smart Storage Battery.

---

One energy pack option can support multiple devices. An energy pack option is required for P-class Smart Array controllers. Once installed, the status of the energy pack displays in HPE iLO. For more information, see the HPE iLO user guide on the Hewlett Packard Enterprise website (<https://www.hpe.com/support/ilo-docs>).

## HPE Smart Storage Battery

The HPE Smart Storage Battery supports the following devices:

- HPE Smart Array SR controllers
- HPE Smart Array MR controllers
- NVDIMMs

---

**!** **IMPORTANT:** To support NVDIMMs, the HPE Smart Storage Battery must be installed.

---

A single 96W battery can support up to 24 devices.

After the battery is installed, it might take up to two hours to charge. Controller features requiring backup power are not re-enabled until the battery is capable of supporting the backup power.

This server supports the 96W HPE Smart Storage Battery with the 145mm cable.

## Installing a Smart Storage Battery

### Prerequisites

Before you perform this procedure, make sure that you have the following items available:

The components included with the hardware option kit

---

**NOTE:** System ROM and firmware messages might display "energy pack" in place of "Smart Storage Battery." Energy pack refers to both HPE Smart Storage batteries and HPE Smart Storage Hybrid capacitors.

---

### Procedure

1. **Power down the server.**
2. Do one of the following:
  - Disconnect each power cord from the power source.
  - Disconnect each power cord from the server.
3. Do one of the following:



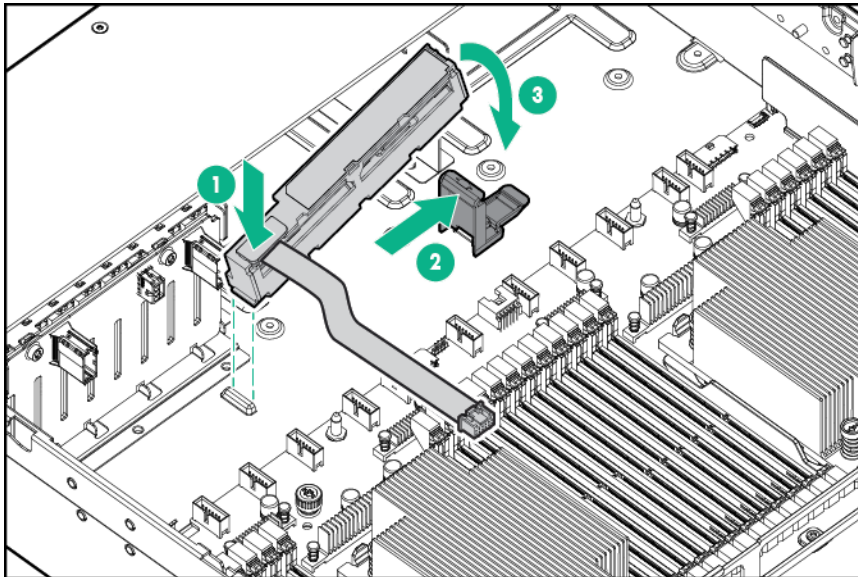
- **Extend the server from the rack.**
- **Remove the server from the rack.**

4. **Remove the access panel.**

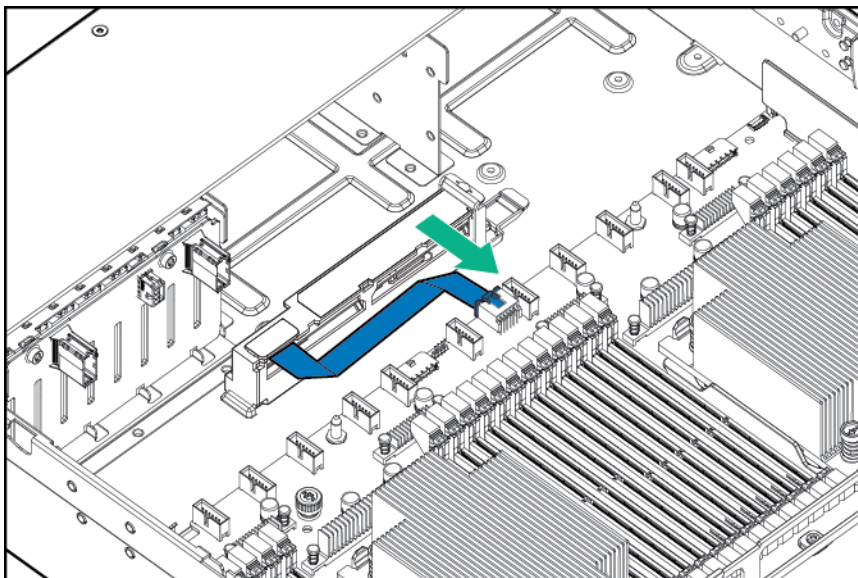
5. Do one of the following:

- **Remove the air baffle.**
- **If installed on LFF models, remove the midplane drive cage.**

6. Install the Smart Storage battery.



7. Install the cable.



8. Install the fan cage.

9. **Install the air baffle.**



10. **Install the access panel.**
11. Slide the server into the rack.
12. Connect each power cord to the server.
13. Connect each power cord to the power source.
14. **Power up the server.**

The installation is complete.

## HPE Smart Storage Hybrid Capacitor

The HPE Smart Storage Hybrid Capacitor supports the following devices:

- HPE Smart Array SR controllers
- HPE Smart Array MR controllers

---

**!** **IMPORTANT:** NVDIMMs are only supported by the HPE Smart Storage Battery.

---

The capacitor pack can support up to three devices.

This server supports the HPE Smart Storage Hybrid Capacitor with the 145mm cable.

Before installing the HPE Smart Storage Hybrid Capacitor, verify that the system BIOS meets the minimum firmware requirements to support the capacitor pack.

---

**!** **IMPORTANT:** If the system BIOS or controller firmware is older than the minimum recommended firmware versions, the capacitor pack will only support one device.

---

The capacitor pack is fully charged after the system boots.

### Minimum firmware versions

Product	Minimum firmware version
HPE ProLiant DL380 Gen10 Server system ROM	2.00
HPE Smart Array SR controllers	1.90
HPE Smart Array MR controllers	24.23.0-0041

### Installing an energy pack option for HPE Smart Storage

#### Prerequisites

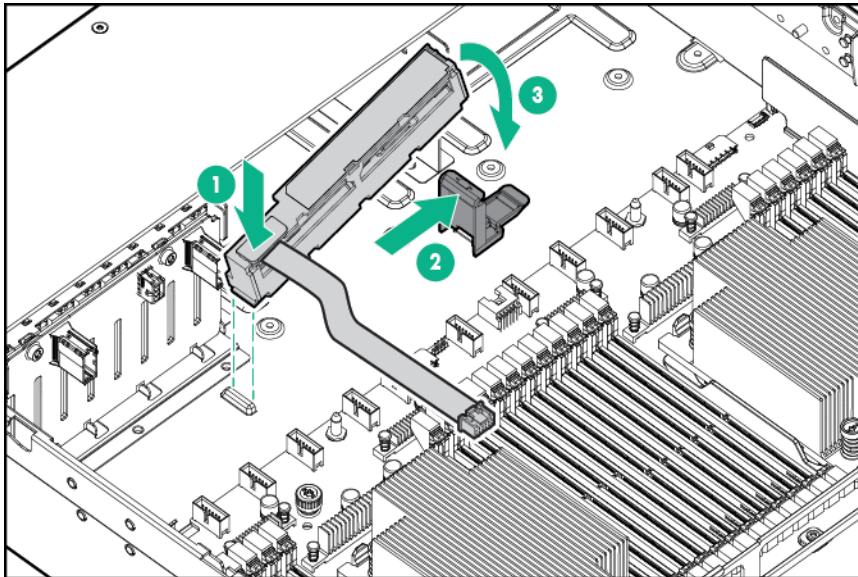
Before you perform this procedure, make sure that you have the following items available:

- T-10 Torx screwdriver
- The components included with the hardware option kit



## Procedure

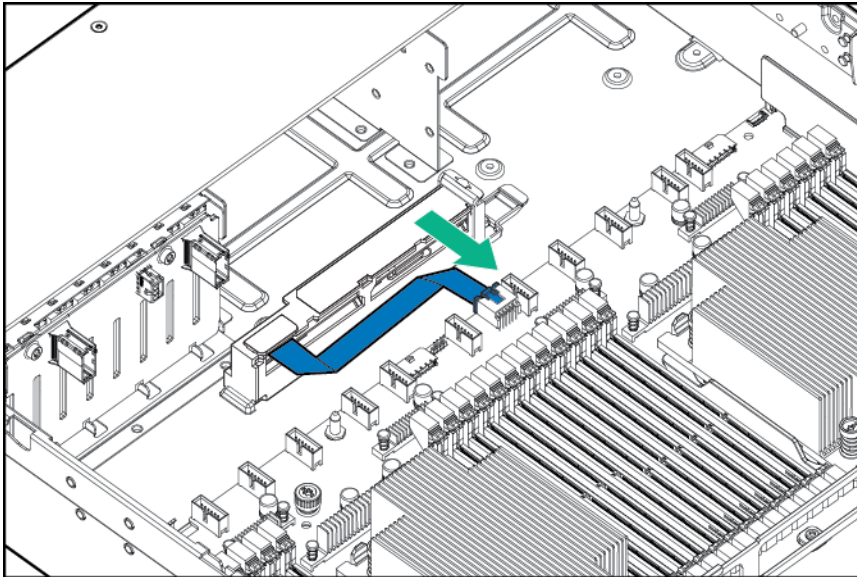
1. Power down the server.
2. Remove all power:
  - a. Disconnect each power cord from the power source.
  - b. Disconnect each power cord from the server.
3. Do one of the following:
  - Extend the server from the rack.
  - Remove the server from the rack.
4. Remove the access panel.
5. Remove the air baffle.
6. Remove the fan cage.
7. Install the energy pack option.



8. Route and connect the cable.



**CAUTION:** Do not connect the energy pack while the server is operating. Verify that all power to the server has been removed.



9. Install the fan cage.
10. Install the access panel.
11. Install the server into the rack.
12. Connect each power cord to the server.
13. Connect each power cord to the power source.
14. Power up the server.

## Drive options

### Drive guidelines

Depending on the configuration, the server supports SAS, SATA, and NVMe drives.

Observe the following general guidelines:

- The system automatically sets all drive numbers.
- If only one hard drive is used, install it in the bay with the lowest drive number.

For drive numbering, see **Drive bay numbering**.

- The NVMe SSD is a PCIe bus device. Devices attached to a PCIe bus cannot be removed without allowing the device and bus to complete and cease the signal/traffic flow.

Do not remove an NVMe SSD from the drive bay while the Do Not Remove button LED is flashing. The Do Not Remove button LED flashes to indicate that the device is still in use. Removal of the NVMe SSD before the device has completed and ceased signal/traffic flow can cause loss of data.

- Drives with the same capacity provide the greatest storage space efficiency when grouped into the same drive array.

### Supported drive carriers

Depending on the drive cage, the server supports the following drive carriers:

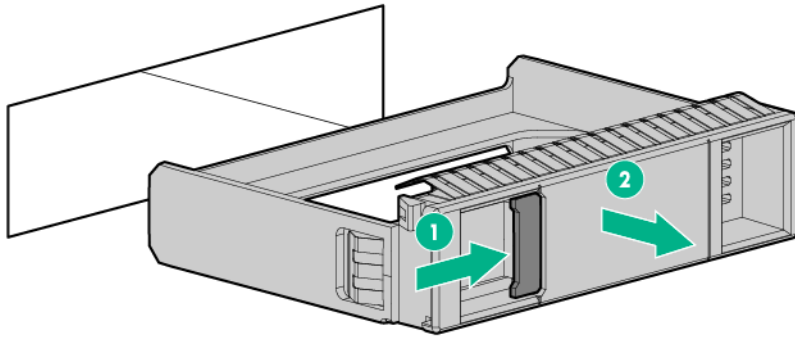


- SFF Smart Carrier (SC)
- SFF Smart Carrier NVMe (SCN)
- SFF Smart Carrier M.2 (SCM)
- LFF Smart Carrier (SC)
- LFF to SFF Smart Carrier Converter

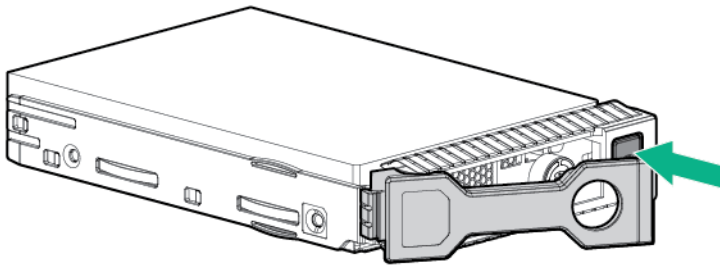
## Installing a hot-plug SAS or SATA drive

### Procedure

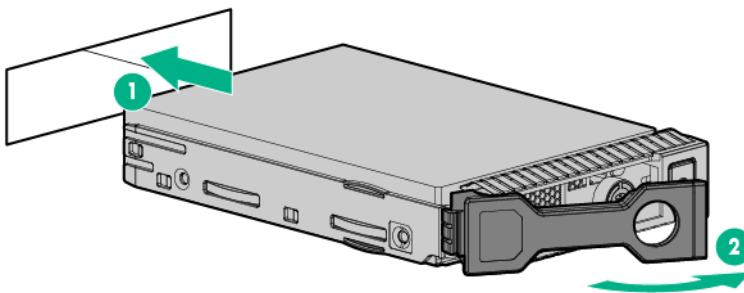
1. Remove the drive blank.



2. Prepare the drive.



3. Install the drive.



4. Observe the LED status of the drive.

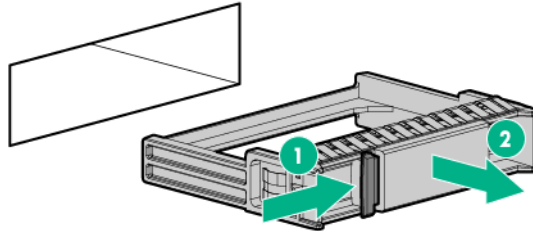


## Installing an NVMe drive

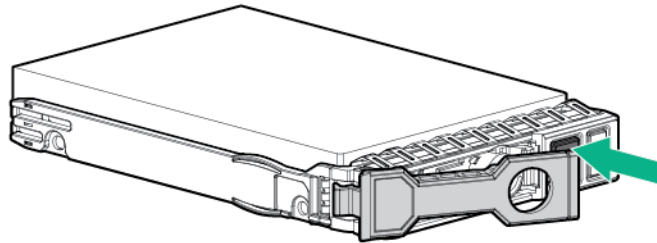
- ⚠ CAUTION:** To prevent improper cooling and thermal damage, do not operate the server unless all drive and device bays are populated with either a component or a blank.

### Procedure

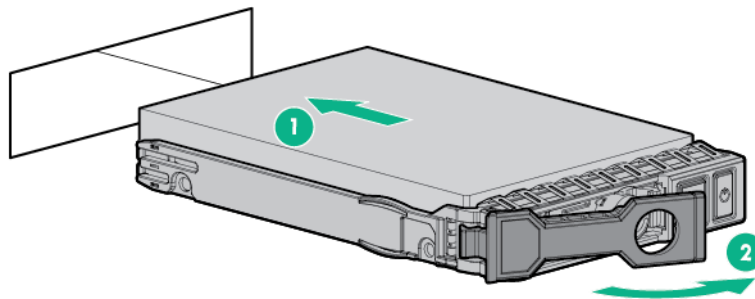
1. Remove the drive blank.



2. Prepare the drive.



3. Install the drive.



4. Observe the LED status of the drive.

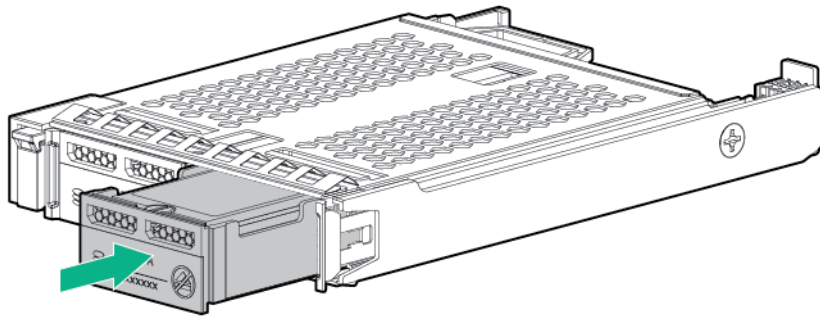
## Installing a uFF drive and SCM drive carrier

- ⓘ IMPORTANT:** Not all drive bays support the drive carrier. To find supported bays, see the server QuickSpecs on the Hewlett Packard Enterprise website (<https://www.hpe.com/info/qs>).

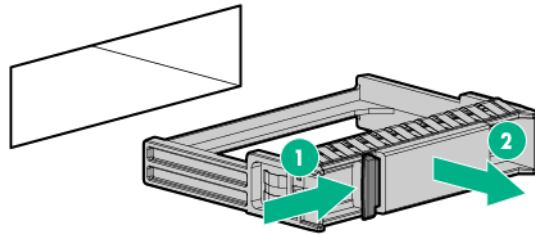
### Procedure

1. If needed, install the uFF drive into the drive carrier.



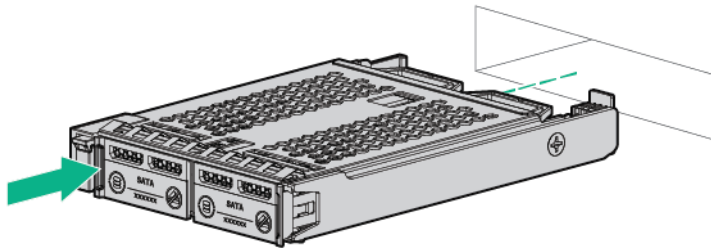


2. Remove the drive blank.



3. Install the drives.

Push firmly near the ejection handle until the latching spring engages with the drive bay.



4. Power on the server.

To configure the drive, use [HPE Smart Storage Administrator](#).

## Installing an M.2 drive

This procedure is for replacing M.2 drives located on an expansion card, riser, or the system board only. Do not use this procedure to replace uFF drives.

### Prerequisites

Before you perform this procedure, make sure that you have the following items available:

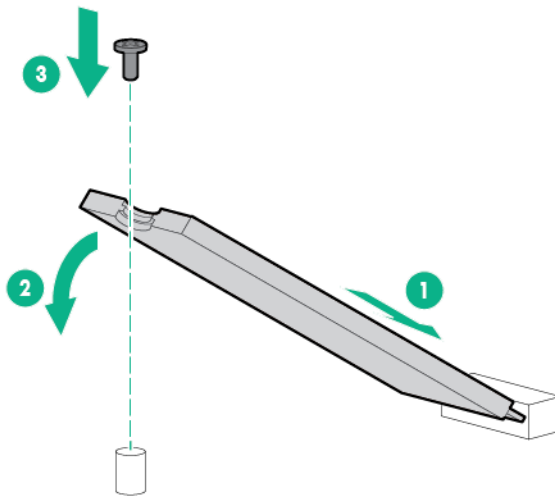
- The components included with the hardware option kit
- T-10 Torx screwdriver





## Procedure

1. **Power down the server.**
2. Remove all power:
  - a. Disconnect each power cord from the power source.
  - b. Disconnect each power cord from the server.
3. Do one of the following:
  - **Extend the server from the rack.**
  - **Remove the server from the rack.**
4. **Remove the access panel.**
5. **Remove the riser cage.**
6. Install the drive.



The installation is complete.

## Fan options

- 
- CAUTION:** To avoid damage to server components, fan blanks must be installed in fan bays 1 and 2 in a single-processor configuration.
- 
- CAUTION:** To avoid damage to the equipment, do not operate the server for extended periods of time if the server does not have the optimal number of fans installed. Although the server might boot, Hewlett Packard Enterprise does not recommend operating the server without the required fans installed and operating.
- 

Valid fan configurations are listed in the following table.



Configuration	Fan bay 1	Fan bay 2	Fan bay 3	Fan bay 4	Fan bay 5	Fan bay 6
1 processor	Fan blank	Fan blank	Fan	Fan	Fan	Fan
1 processor 24-SFF or 12-LFF configuration with high-performance fans	Fan	Fan	Fan	Fan	Fan	Fan
2 processors	Fan	Fan	Fan	Fan	Fan	Fan

For a single-processor configuration, excluding 24-SFF and 12-LFF configurations, four fans and two blanks are required in specific fan bays for redundancy. A fan failure or missing fan causes a loss of redundancy. A second fan failure or missing fan causes an orderly shutdown of the server.

For a dual-processor configuration or single-processor 24-SFF or 12-LFF configurations, six fans are required for redundancy. A fan failure or missing fan causes a loss of redundancy. A second fan failure or missing fan causes an orderly shutdown of the server.

High-performance fans might be necessary in 24-SFF and 12-LFF configurations for the following installations:

- Optional GPU riser installations
- ASHRAE compliant configurations

For more information, see the [Hewlett Packard Enterprise website](#).

The server supports variable fan speeds. The fans operate at minimum speed until a temperature change requires a fan speed increase to cool the server. The server shuts down during the following temperature-related scenarios:

- At POST and in the OS, iLO performs an orderly shutdown if a cautionary temperature level is detected. If the server hardware detects a critical temperature level before an orderly shutdown occurs, the server performs an immediate shutdown.
- When the Thermal Shutdown feature is disabled in the BIOS/Platform Configuration (RBSU), iLO does not perform an orderly shutdown when a cautionary temperature level is detected. Disabling this feature does not disable the server hardware from performing an immediate shutdown when a critical temperature level is detected.

**CAUTION:** A thermal event can damage server components when the Thermal Shutdown feature is disabled in the BIOS/Platform Configuration (RBSU).

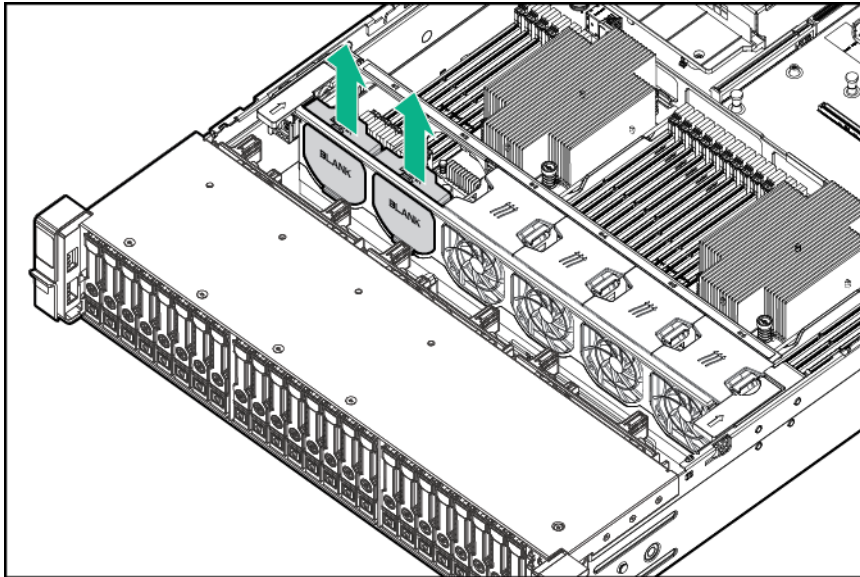
## Installing high-performance fans

**CAUTION:** Caution: To prevent damage server, ensure that all DIMM latches are closed and locked before installing the fans.

**CAUTION:** Do not operate the server for long periods with the access panel open or removed. Operating the server in this manner results in improper airflow and improper cooling that can lead to thermal damage.

### Procedure

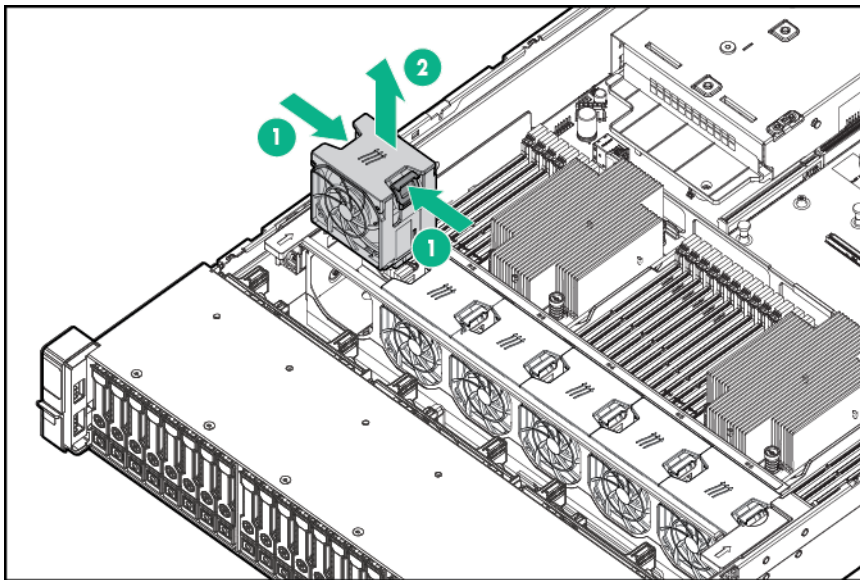
1. **Extend the server from the rack.**
2. **Remove the access panel.**
3. If installed, remove all fan blanks.



**4. Remove the air baffle.**

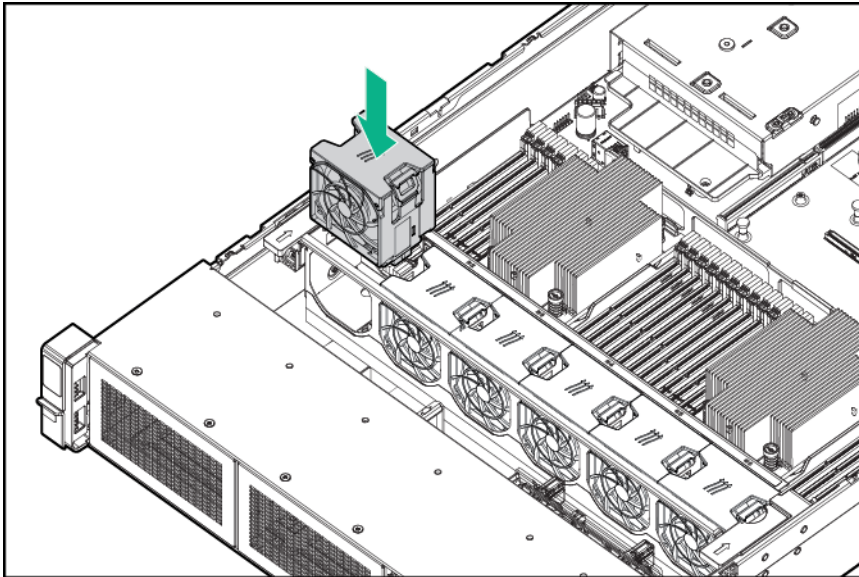
**5. Remove all standard fans.**

**!** **IMPORTANT:** Do not mix standard fans and high-performance fans in the same server.



**6. Install high-performance fans in all fan bays.**





7. **Install the air baffle.**
8. **Install the access panel.**
9. **Install the server into the rack.**

## Memory options

- ❗ **IMPORTANT:** This server does not support mixing LRDIMMs and RDIMMs. Attempting to mix any combination of these DIMMs can cause the server to halt during BIOS initialization. All memory installed in the server must be of the same type.

### DIMM-processor compatibility

The installed processor determines the type of DIMM that is supported in the server:

- First-generation Intel Xeon Scalable processors support DDR4-2666 DIMMs.
- Second-generation Intel Xeon Scalable processors support DDR4-2933 DIMMs.

Mixing DIMM types is not supported. Install only the supported DDR4-2666 or DDR4-2933 DIMMs in the server.

### DIMM and NVDIMM population information

For specific DIMM and NVDIMM population information, see the DIMM population guidelines on the Hewlett Packard Enterprise website (<https://www.hpe.com/docs/memory-population-rules>).

### HPE SmartMemory speed information

For more information about memory speed information, see the Hewlett Packard Enterprise website (<https://www.hpe.com/docs/memory-speed-table>).

### Installing a DIMM

The server supports up to 24 DIMMs.



## Prerequisites

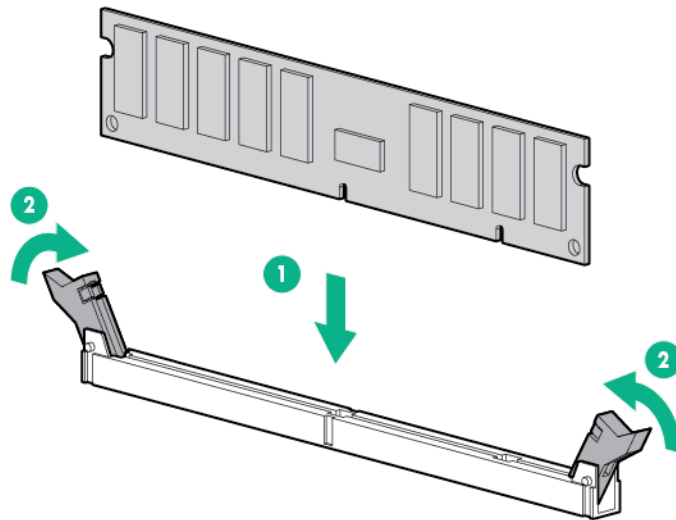
Before installing this option, be sure you have the following:

The components included with the hardware option kit

For more information on specific options, see the server QuickSpecs on the [Hewlett Packard Enterprise website](#).

## Procedure

- 1. Power down the server.**
2. Remove all power:
  - a. Disconnect each power cord from the power source.
  - b. Disconnect each power cord from the server.
3. Do one of the following:
  - a. **Extend the server from the rack.**
  - b. **Remove the server from the rack.**
4. **Remove the access panel.**
5. Open the DIMM slot latches.
6. Install the DIMM.



7. **Install the access panel.**
8. Install the server in the rack.
9. Connect each power cord to the server.
10. Connect each power cord to the power source.
11. **Power up the server.**

Use the BIOS/Platform Configuration (RBSU) in the UEFI System Utilities to configure the memory mode.



For more information about LEDs and troubleshooting failed DIMMs, see "[Systems Insight Display combined LED descriptions](#)."

## HPE 16GB NVDIMM option

HPE NVDIMMs are flash-backed NVDIMMs used as fast storage and are designed to eliminate smaller storage bottlenecks. The HPE 16GB NVDIMM for HPE ProLiant Gen10 servers is ideal for smaller database storage bottlenecks, write caching tiers, and any workload constrained by storage bottlenecks.

The HPE 16GB NVDIMM is supported on select HPE ProLiant Gen10 servers with first generation Intel Xeon Scalable processors. The server can support up to 12 NVDIMMs in 2 socket servers (up to 192GB) and up to 24 NVDIMMs in 4 socket servers (up to 384GB). The HPE Smart Storage Battery provides backup power to the memory slots allowing data to be moved from the DRAM portion of the NVDIMM to the Flash portion for persistence during a power down event.

For more information on HPE NVDIMMs, see the Hewlett Packard Enterprise website (<https://www.hpe.com/info/persistentmemory>).

## NVDIMM-processor compatibility

HPE 16GB NVDIMMs are only supported in servers with first-generation Intel Xeon Scalable processors installed.

## Server requirements for NVDIMM support

Before installing an HPE 16GB NVDIMM in a server, make sure that the following components and software are available:

- A supported HPE server using Intel Xeon Scalable Processors: For more information, see the NVDIMM QuickSpecs on the Hewlett Packard Enterprise website (<https://www.hpe.com/info/qs>).
- An HPE Smart Storage Battery
- A minimum of one regular DIMM: The system cannot have only NVDIMM-Ns installed.
- A supported operating system with persistent memory/NVDIMM drivers. For the latest software information, see the Hewlett Packard Enterprise website (<https://persistentmemory.hpe.com>).
- For minimum firmware versions, see the HPE 16GB NVDIMM User Guide on the Hewlett Packard Enterprise website (<https://www.hpe.com/info/nvdimm-docs>).

To determine NVDIMM support for your server, see the server QuickSpecs on the Hewlett Packard Enterprise website (<https://www.hpe.com/info/qs>).

## Installing an NVDIMM

---

**CAUTION:** To avoid damage to the hard drives, memory, and other system components, the air baffle, drive blanks, and access panel must be installed when the server is powered up.

---

**CAUTION:** To avoid damage to the hard drives, memory, and other system components, be sure to install the correct DIMM baffles for your server model.

---

**CAUTION:** DIMMs are keyed for proper alignment. Align notches in the DIMM with the corresponding notches in the DIMM slot before inserting the DIMM. Do not force the DIMM into the slot. When installed properly, not all DIMMs will face in the same direction.

---

**CAUTION:** Electrostatic discharge can damage electronic components. Be sure you are properly grounded before beginning this procedure.

---

---

**⚠ CAUTION:** Failure to properly handle DIMMs can damage the DIMM components and the system board connector. For more information, see the DIMM handling guidelines in the troubleshooting guide for your product on the Hewlett Packard Enterprise website:

- HPE ProLiant Gen10 (<https://www.hpe.com/info/gen10-troubleshooting>)
- HPE Synergy (<https://www.hpe.com/info/synergy-troubleshooting>)

---

**⚠ CAUTION:** Unlike traditional storage devices, NVDIMMs are fully integrated in with the ProLiant server. Data loss can occur when system components, such as the processor or HPE Smart Storage Battery, fails. HPE Smart Storage battery is a critical component required to perform the backup functionality of NVDIMMs. It is important to act when HPE Smart Storage Battery related failures occur. Always follow best practices for ensuring data protection.

---

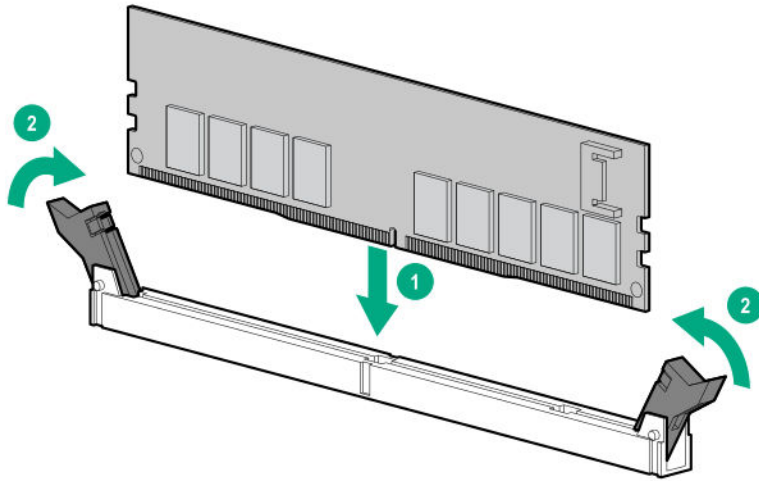
### Prerequisites

Before installing an NVDIMM, be sure the server meets the [Server requirements for NVDIMM support](#).

### Procedure

1. **Power down the server.**
2. Remove all power:
  - a. Disconnect each power cord from the power source.
  - b. Disconnect each power cord from the server.
3. Do one of the following:
  - a. **Extend the server from the rack.**
  - b. **Remove the server from the rack.**
4. **Remove the access panel.**
5. If the Smart Storage battery is not installed, do one of the following:
  - **Remove the air baffle.**
  - **If installed on LFF models, remove the midplane drive cage.**
6. Locate any NVDIMMs already installed in the server.
7. Verify that all LEDs on any installed NVDIMMs are off.
8. Install the NVDIMM.





9. If it is not already installed, **install the Smart Storage battery**.
10. **Install the access panel**.
11. Slide or install the server into the rack.
12. Connect each power cord to the server.
13. **Power up the server**.
14. If required, sanitize the NVDIMM-Ns. For more information, see **[NVDIMM sanitization](#)**.

## Configuring the server for NVDIMMs

After installing NVDIMMs, configure the server for NVDIMMs. For information on configuring settings for NVDIMMs, see the *HPE 16GB NVDIMM User Guide* on the Hewlett Packard Enterprise website (<https://www.hpe.com/info/nvdimm-docs>).

The server can be configured for NVDIMMs using either of the following:

- UEFI System Utilities—Use System Utilities through the Remote Console to configure the server for NVDIMM memory options by pressing the **F9** key during POST. For more information about UEFI System Utilities, see the Hewlett Packard Enterprise website (<https://www.hpe.com/info/uefi/docs>).
- iLO RESTful API for HPE iLO 5—For more information about configuring the system for NVDIMMs, see <https://hewlettpackard.github.io/ilo-rest-api-docs/ilo5/>.

## NVDIMM sanitization

Media sanitization is defined by NIST SP800-88 Guidelines for Media Sanitization (Rev 1, Dec 2014) as "a general term referring to the actions taken to render data written on media unrecoverable by both ordinary and extraordinary means."

The specification defines the following levels:

- Clear: Overwrite user-addressable storage space using standard write commands; might not sanitize data in areas not currently user-addressable (such as bad blocks and overprovisioned areas)
- Purge: Overwrite or erase all storage space that might have been used to store data using dedicated device sanitize commands, such that data retrieval is "infeasible using state-of-the-art laboratory techniques"
- Destroy: Ensure that data retrieval is "infeasible using state-of-the-art laboratory techniques" and render the media unable to store data (such as disintegrate, pulverize, melt, incinerate, or shred)





The NVDIMM-N Sanitize options are intended to meet the Purge level.

For more information on sanitization for NVDIMMs, see the following sections in the *HPE 16GB NVDIMM User Guide* on the Hewlett Packard Enterprise website (<https://www.hpe.com/info/nvdimm-docs>):

- NVDIMM sanitization policies
- NVDIMM sanitization guidelines
- Setting the NVDIMM-N Sanitize/Erase on the Next Reboot Policy

NIST SP800-88 *Guidelines for Media Sanitization* (Rev 1, Dec 2014) is available for download from the NIST website (<https://nvlpubs.nist.gov/nistpubs/SpecialPublications/NIST.SP.800-88r1.pdf>).

## NVDIMM relocation guidelines

### Requirements for relocating NVDIMMs or a set of NVDIMMs when the data must be preserved

- The destination server hardware must match the original server hardware configuration.
- All System Utilities settings in the destination server must match the original System Utilities settings in the original server.
- If NVDIMM-Ns are used with NVDIMM Interleaving ON mode in the original server, do the following:
  - Install the NVDIMMs in the same DIMM slots in the destination server.
  - Install the entire NVDIMM set (all the NVDIMM-Ns on the processor) on the destination server.

This guideline would apply when replacing a system board due to system failure.

If any of the requirements cannot be met during NVDIMM relocation, do the following:

- Manually back up the NVDIMM-N data before relocating NVDIMM-Ns to another server.
- Relocate the NVDIMM-Ns to another server.
- Sanitize all NVDIMM-Ns on the new server before using them.

### Requirements for relocating NVDIMMs or a set of NVDIMMs when the data does not have to be preserved

If data on the NVDIMM-N or set of NVDIMM-Ns does not have to be preserved, then

- Move the NVDIMM-Ns to the new location and sanitize all NVDIMM-Ns after installing them to the new location. For more information, see [NVDIMM sanitization](#).
- Observe all DIMM and NVDIMM population guidelines. For more information, see [DIMM and NVDIMM population information](#).
- Observe the process for removing an NVDIMM.
- Observe the process for installing an NVDIMM.
- Review and configure the system settings for NVDIMMs. For more information, see [Configuring the server for NVDIMMs](#).

## HPE Scalable Persistent Memory (CTO only)

HPE Scalable Persistent Memory is an integrated storage solution that runs at memory speeds with terabyte capacity unlocking new levels of performance for your business workloads. It provides a complete hardware and software solution utilizing the following components:



- DRAM for application performance
- A tier of flash for persistence
- A backup power source to move data from DRAM to flash

HPE Scalable Persistent Memory is ideal for enabling in-memory compute with persistence and any workload that could benefit from low-latency DRAM-level performance. This option is available as HPE Factory Configure To Order (CTO) SKUs only.

For configuration details for HPE Scalable Persistent Memory, see the *HPE Scalable Persistent Memory User Guide* at <http://www.hpe.com/info/nvdimm-docs>.

For more information about HPE Scalable Persistent Memory, see <http://www.hpe.com/info/persistentmemory>.

## HPE Persistent Memory option

HPE Persistent Memory, which offers the flexibility to deploy as dense memory or fast storage and features Intel Optane persistent memory, enables per-socket memory capacity of up to 3.0 TB. HPE Persistent Memory, together with traditional volatile DRAM DIMMs, provide fast, high-capacity, cost-effective memory and storage to transform big data workloads and analytics by enabling data to be stored, moved, and processed quickly.

HPE Persistent Memory modules use the standard DIMM form factor and are installed alongside DIMMs in a server memory slot. HPE Persistent Memory modules are designed for use only with second-generation Intel Xeon Scalable processors, and are available in the following capacities:

- 128 GB
- 256 GB
- 512 GB

## HPE Persistent Memory module-processor compatibility

HPE Persistent Memory modules are supported only in servers with second-generation Intel Xeon Scalable processors installed.

## HPE Persistent Memory population information

For specific population and configuration information, see the memory population guidelines on the Hewlett Packard Enterprise website (<https://www.hpe.com/docs/memory-population-rules>).

## System requirements for HPE Persistent Memory module support

**!** **IMPORTANT:** Hewlett Packard Enterprise recommends that you implement best practice configurations for high availability (HA) such as clustered configurations.

Before installing HPE Persistent Memory modules, make sure that the following components and software are available:

- A supported HPE ProLiant Gen10 server or Synergy compute module using second-generation Intel Xeon Scalable processors. For more information, see the product QuickSpecs on the Hewlett Packard Enterprise website (<https://www.hpe.com/support/persistentmemoryQS>).
- HPE DDR4 Standard Memory RDIMMs or LRDIMMs (the number will vary based on your chosen configuration).
- Supported firmware and drives:
  - System ROM version 2.10 or later
  - Server Platform Services (SPS) Firmware version 04.01.04.296



- HPE iLO 5 Firmware version 1.43
  - HPE Innovation Engine Firmware version 2.1.x or later
- Download the required firmware and drivers from the Hewlett Packard Enterprise website (<https://www.hpe.com/info/persistentmemory>).
- A supported operating system:
    - Windows Server 2012 R2 with persistent memory drivers from Hewlett Packard Enterprise
    - Windows Server 2016 with persistent memory drivers from Hewlett Packard Enterprise
    - Windows Server 2019
    - Red Hat Enterprise Linux 7.6 and later
    - Red Hat Enterprise Linux 8.0 and later
    - SUSE Linux Enterprise Server 12 SP4 and later
    - SUSE Linux Enterprise Server 15 with SUSE-SU-2019:0224-1 or later kernel update
    - SUSE Linux Enterprise Server 15 SP1 with SUSE-SU-2019:1550-1 or later kernel update
    - VMware vSphere 6.7 U2 + Express Patch 10 (ESXi670-201906002) or later (supports App Direct and Memory modes)
    - VMware vSphere 6.5 U3 or later (supports Memory mode)
  - Hardware and licensing requirements for optional encryption of the HPE Persistent Memory modules:
    - HPE TPM 2.0 (local key encryption)
    - HPE iLO Advanced License (remote key encryption)
    - Key management server (remote key encryption)

For more information, see the *HPE Persistent Memory User Guide* on the Hewlett Packard Enterprise website (<https://www.hpe.com/info/persistentmemory-docs>).

## Installing an HPE Persistent Memory module

Use this procedure only for new HPE Persistent Memory module installations. If you are migrating this HPE Persistent Memory module from another server, see the *HPE Persistent Memory User Guide* on the Hewlett Packard Enterprise website (<https://www.hpe.com/info/persistentmemory-docs>).

### Prerequisites

Before you perform this procedure, make sure that you have the following items available:

- The components included with the hardware option kit
- A T-10 Torx screwdriver might be needed to unlock the access panel.

### Procedure

1. Observe the following alerts:



---

**⚠ CAUTION:** DIMMs and HPE Persistent Memory modules are keyed for proper alignment. Align notches on the DIMM or HPE Persistent Memory module with the corresponding notches in the slot before installing the component. Do not force the DIMM or HPE Persistent Memory module into the slot. When installed properly, not all DIMMs or HPE Persistent Memory modules will face in the same direction.

---

**⚠ CAUTION:** Electrostatic discharge can damage electronic components. Be sure you are properly grounded before beginning this procedure.

---

**⚠ CAUTION:** Failure to properly handle HPE Persistent Memory modules can damage the component and the system board connector.

---

**ⓘ IMPORTANT:** Hewlett Packard Enterprise recommends that you implement best practice configurations for high availability (HA) such as clustered configurations.

---

**2. Power down the server.**

**3. Do one of the following:**

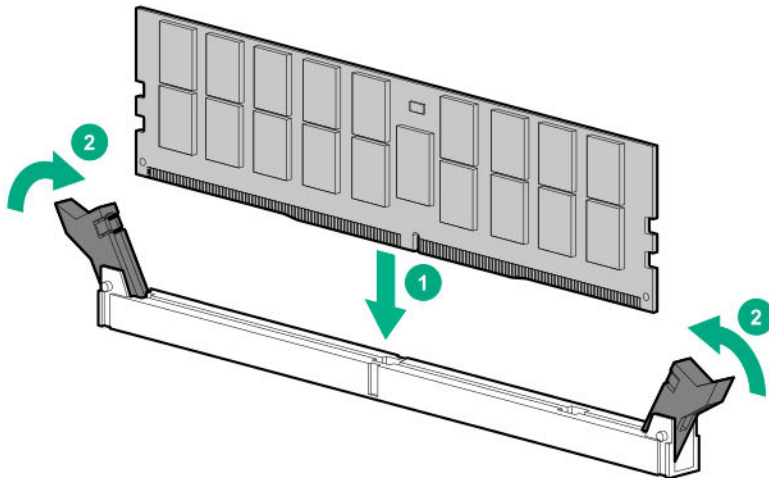
- Extend the server from the rack.
- Remove the server from the rack, if necessary.

**4. Place the server on a flat, level work surface.**

**5. Remove the access panel.**

**6. Remove all components necessary to access the DIMM slots.**

**7. Install the HPE Persistent Memory module.**



**8. Install any components removed to access the DIMM slots.**

**9. Install the access panel.**

**10. Slide or install the server into the rack.**

**11. If removed, reconnect all power cables.**



12. Power up the server.
13. Configure the server for HPE Persistent Memory.

For more information, see [Configuring the server for HPE Persistent Memory](#).

## Configuring the server for HPE Persistent Memory

After installing HPE Persistent Memory modules, configure the server for HPE Persistent Memory.

---

**!** **IMPORTANT:** Always follow recommendations from your software application provider for high-availability best practices to ensure maximum uptime and data protection.

---

A number of configuration tools are available, including:

- UEFI System Utilities—Access System Utilities through the Remote Console to configure the server by pressing the **F9** key during POST.
- iLO RESTful API—Use the iLO RESTful API through tools such as the RESTful Interface Tool (ilorest) or other third-party tools.
- HPE Persistent Memory Management Utility—The HPE Persistent Memory Management Utility is a desktop application used to configure the server for HPE Persistent Memory, as well as evaluate and monitor the server memory configuration layout.

For more information, see the *HPE Persistent Memory User Guide* on the Hewlett Packard Enterprise website (<https://www.hpe.com/info/persistentmemory-docs>).

## Controller options

The server supports the following storage controllers:

- Embedded controllers  
Enabled through System Utilities and configured through HPE Smart Storage Administrator (Intelligent Provisioning).
- Type-a controllers  
Type-a controllers install in the type-a smart array connector.
- Type-p controllers  
Type-p controllers install in a PCIe expansion slot.

## Installing a storage controller

### Prerequisites

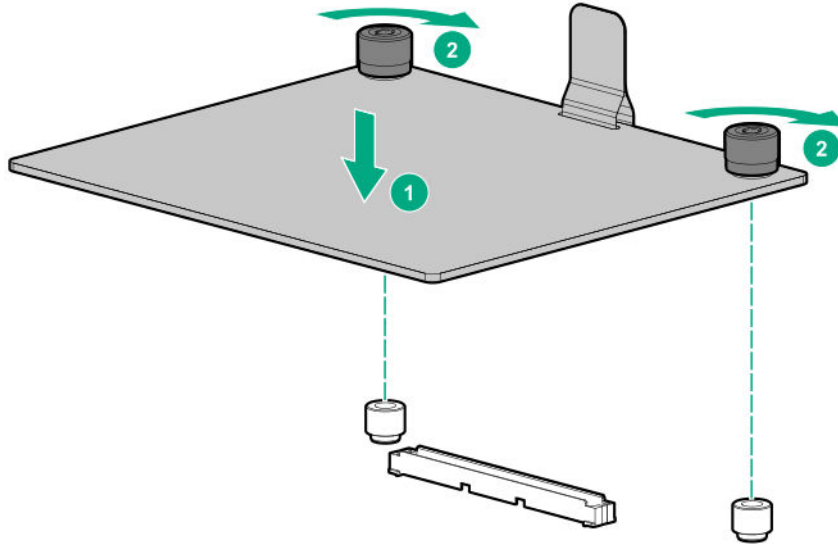
Before you perform this procedure, make sure that you have the components included with the hardware option kit.

### Procedure

1. **Power down the server.**
2. Remove all power:



- a. Disconnect each power cord from the power source.
  - b. Disconnect each power cord from the server.
3. Do one of the following:
- **Extend the server from the rack.**
  - **Remove the server from the rack.**
4. **Remove the access panel.**
5. Do one of the following:
- **Remove the air baffle.**
  - **If installed, remove the 4 LFF midplane drive cage.**
6. Do one of the following:
- For Type-a Smart Array controllers, install the controller in the Smart Array modular controller connector.



- For Type-p Smart Array controllers, **install the controller in a compatible expansion slot.**

7. **Cable the controller.**

The installation is complete.

## Installing an HPE Smart Array P824i-p MR Gen10 controller in a configured server

### Procedure

1. Back up data on the system.
2. Close all applications.
3. Update the server firmware if it is not the latest revision.
4. Do one of the following:



- If the new Smart Array is the new boot device, install the device drivers.
- If the new Smart Array is not the new boot device, go to the next step.

---

**NOTE:** If the logical drive is used in a Smart Array SR controller RAID array, you are not able to boot from that device if you are attached to a Smart Array MR controller.

---

5. Ensure that users are logged off and all tasks are completed on the server.
6. Power down the server.

---

**CAUTION:** In systems that use external data storage, be sure that the server is the first unit to be powered down and the last to be powered back up. Taking this precaution ensures that the system does not erroneously mark the drives as failed when the server is powered up.

---

7. Power down all peripheral devices that are attached to the server.
8. Disconnect the power cord from the power source.
9. Disconnect the power cord from the server.
10. Remove or open the access panel.

---

**WARNING:** To reduce the risk of personal injury from hot surfaces, allow the drives and the internal system components to cool before touching them.

---

11. Remove the riser.
12. Select an available x8 or larger PCIe expansion slot.

A x8 physical size slot is required, even though the slot width may be electrically x4 or x1. Hewlett Packard Enterprise recommends using a slot that is electrically x8.

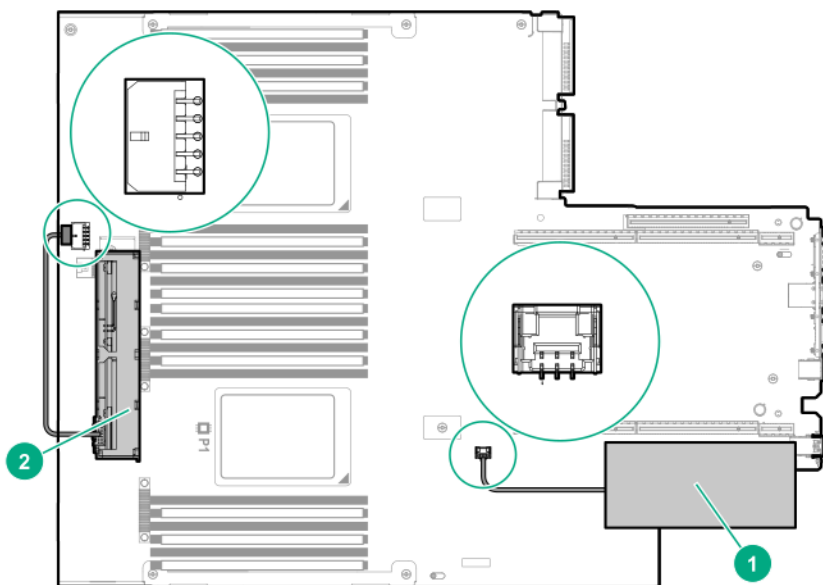
13. Remove the slot cover.  
Save the retaining screw, if one is present.
14. Slide the controller along the slot alignment guide, if one is present, and then press the board firmly into the expansion slot so that the contacts on the board edge are seated properly in the slot.
15. Secure the controller in place with the retaining screw. If the slot alignment guide has a latch (near the rear of the board), close the latch.
16. Connect the controller backup power cable.

---

**IMPORTANT:** To enable SmartCache or CacheCade in a P-class type-p Smart Array controller, you must:

- Connect the controller backup power cable to the controller backup power connector on the system or riser board.
  - Connect the energy pack cable to the energy pack connector on the system board.
- 





- 17.** Connect storage devices to the controller.  
For cabling information, see the server user guide.
- 18.** Install the HPE Smart Storage Battery or HPE Smart Storage Hybrid Capacitor.
- 19.** Reinstall the riser.
- 20.** Connect peripheral devices to the server.
- 21.** Connect the power cord to the server.
- 22.** Connect the power cord to the power source.
- 23.** Power up all peripheral devices.
- 24.** Power up the server.

## Array and controller configuration

During the initial provisioning of the server, you must configure the controller using the Smart Array configuration utility in UEFI System Utilities.

After the initial provisioning of the server, you can use any of the following options to configure the arrays and controllers:

- UEFI System Utilities
- HPE MR Storage Administrator
- StorCLI

HPE MR Storage Administrator and StorCLI are available in the Service Pack for ProLiant (SPP).

For more information about using each configuration utility, see the documentation for the configuration utility.





---

**NOTE:**

- Any RAID configuration created for the HPE Smart Array MR controller is not available to HPE Smart Array SR controllers.
  - The message "Data Protection disabled" in the logical drive properties can be ignored as it refers to a feature not currently supported by the HPE MR Storage Administrator product.
- 

## Installing a Universal Media Bay

### Prerequisites

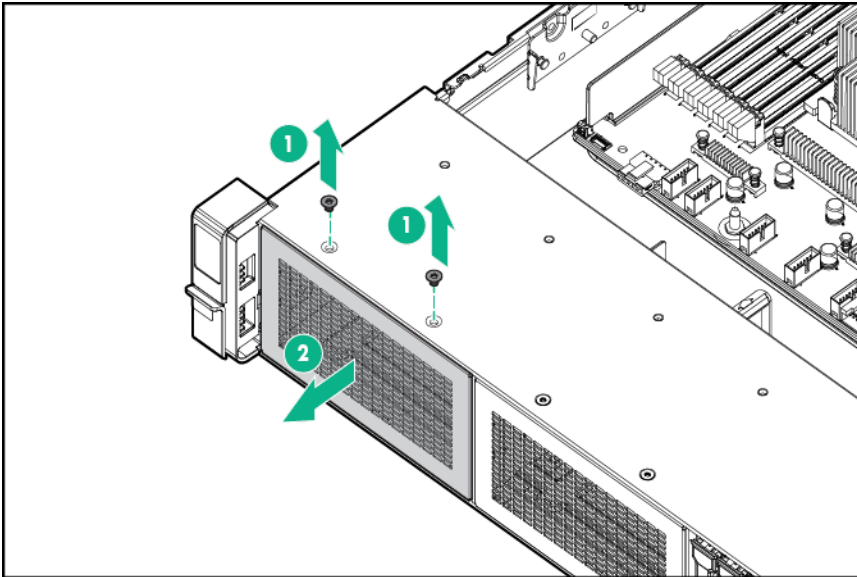
Before you perform this procedure, make sure that you have the following items available:

- The components included with the hardware option kit
- T-10 Torx screwdriver

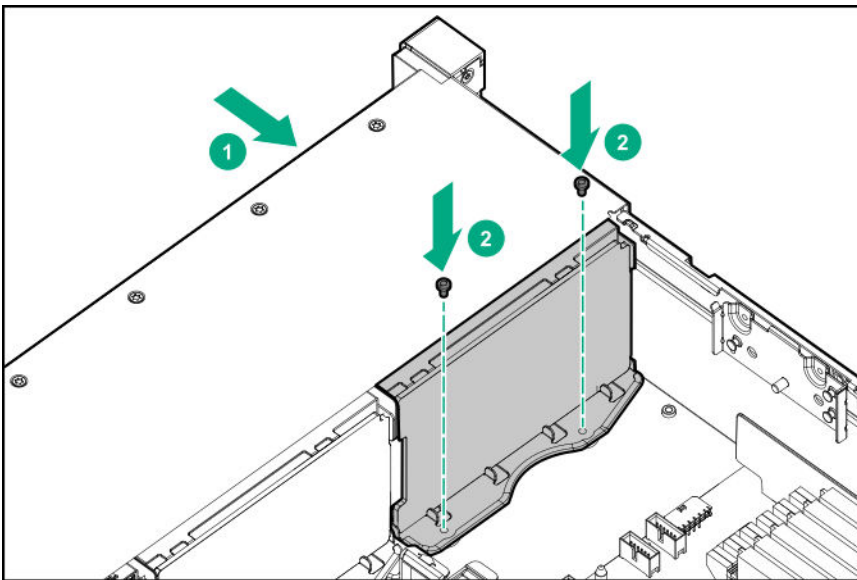
### Procedure

- 1. Power down the server.**
- 2. Remove all power:**
  - a. Disconnect each power cord from the power source.**
  - b. Disconnect each power cord from the server.**
- 3. Do one of the following:**
  - **Extend the server from the rack.**
  - **Remove the server from the rack.**
- 4. Remove the access panel.**
- 5. Remove the air baffle.**
- 6. Remove the fan cage.**
- 7. Remove the bay blank.**



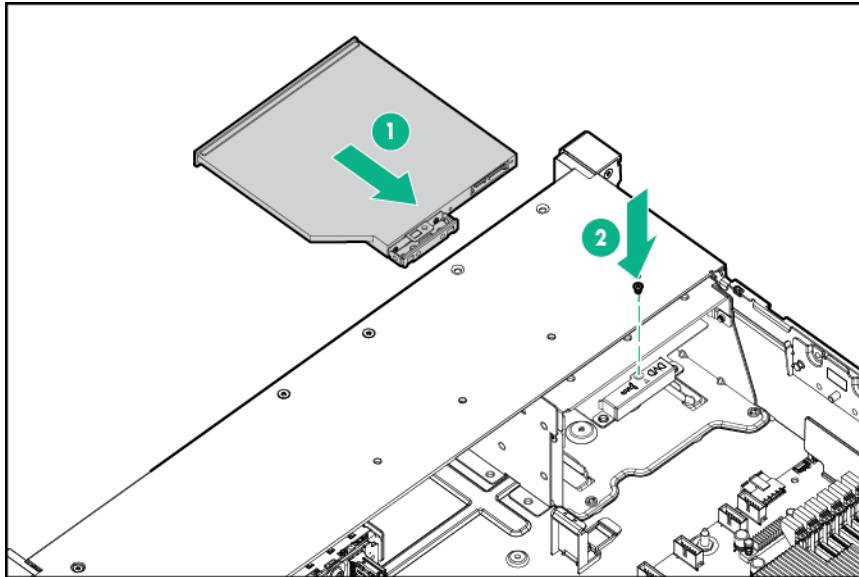


8. Route the USB and video cables through the opening.
9. If installing a two-bay SFF front drive cage, **install the drive cage.**
10. Install the universal media bay.



11. (Optional) Install the optical disc drive.





- 12. Connect the cables.**
13. Install the fan cage.
- 14. Install the air baffle.**
- 15. Install the access panel.**
16. Slide the server into the rack.
17. Connect each power cord to the server.
18. Connect each power cord to the power source.
- 19. Power up the server.**

The installation is complete.

## Drive cage options

### Installing a front 8NVMe SSD Express Bay drive cage

Observe the following:

- The drive cage can be installed in any box. This procedure covers installing the drive cage in box 1.
- When installing in box 1, the NVMe riser must be installed in the tertiary PCIe slot.
- When installing in box 2, the NVMe riser must be installed in the secondary PCIe slot.
- When installing in box 3, the NVMe riser must be installed in the primary PCIe slot.

#### **Prerequisites**

An associated NVMe riser and high-performance fans are required when installing this option.

#### **Procedure**

1. Observe the following alerts.





**WARNING:** To reduce the risk of personal injury from hot surfaces, allow the drives and the internal system components to cool before touching them.

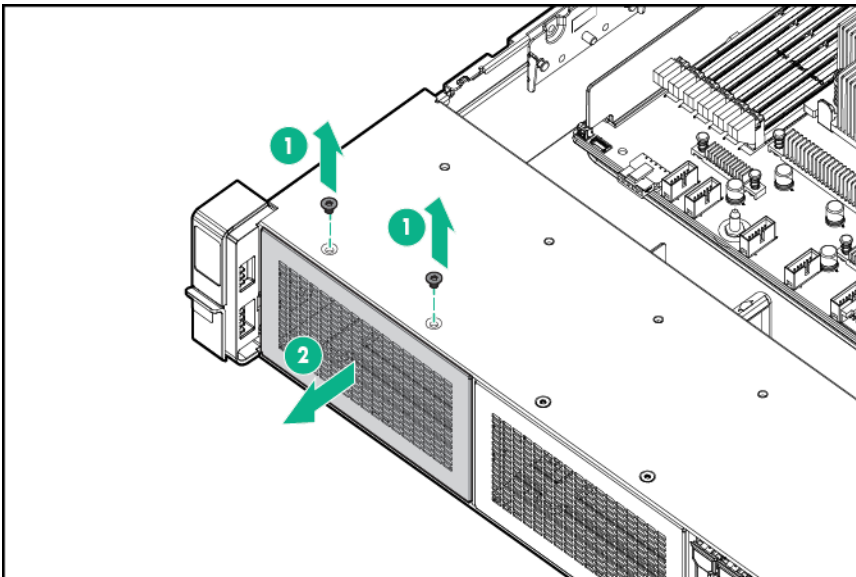
---



**CAUTION:** To prevent damage to electrical components, properly ground the server before beginning any installation procedure. Improper grounding can cause ESD.

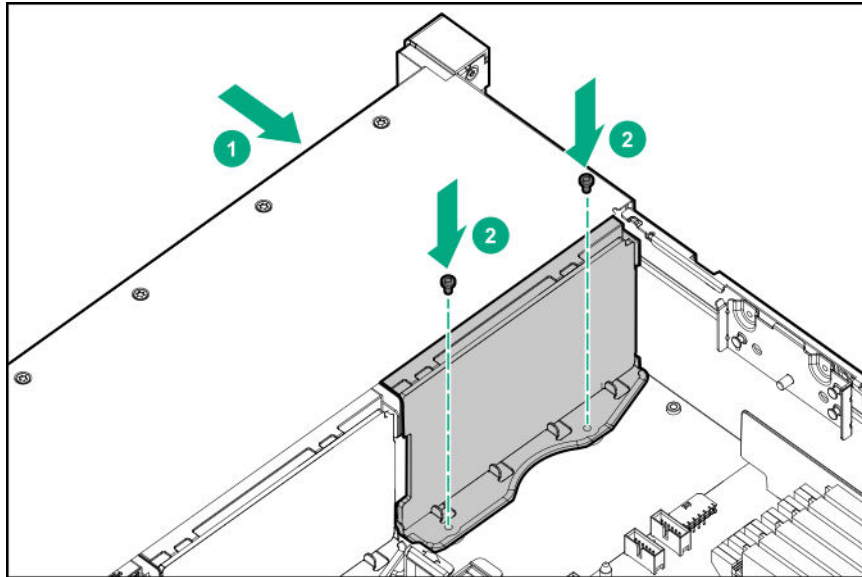
---

2. **Power down the server.**
3. Do one of the following:
  - **Extend the server from the rack.**
  - **Remove the server from the rack.**
4. **Remove the access panel.**
5. **Remove the air baffle.**
6. **Remove the fan cage.**
7. Remove the blank.



8. Install the drive cage:
  - a. **Remove all drives and drive blanks.**
  - b. Install the drive cage.





9. **Install the associated NVMe riser.**
10. **Connect the power cable to the drive backplane power connector.**
11. **Connect the data cables from the drive backplane to the NVMe riser.**
12. **Install drives** or drive blanks.

The installation is complete.

## Installing a front 6SFF SAS/SATA + 2NVMe Premium drive cage

The drive cage can be installed in any box. This procedure covers installing the drive cage in box 1.

### Prerequisites

A storage controller and high-performance fans are required when installing this drive cage.

### Procedure

1. Observe the following alerts.



**WARNING:** To reduce the risk of personal injury from hot surfaces, allow the drives and the internal system components to cool before touching them.



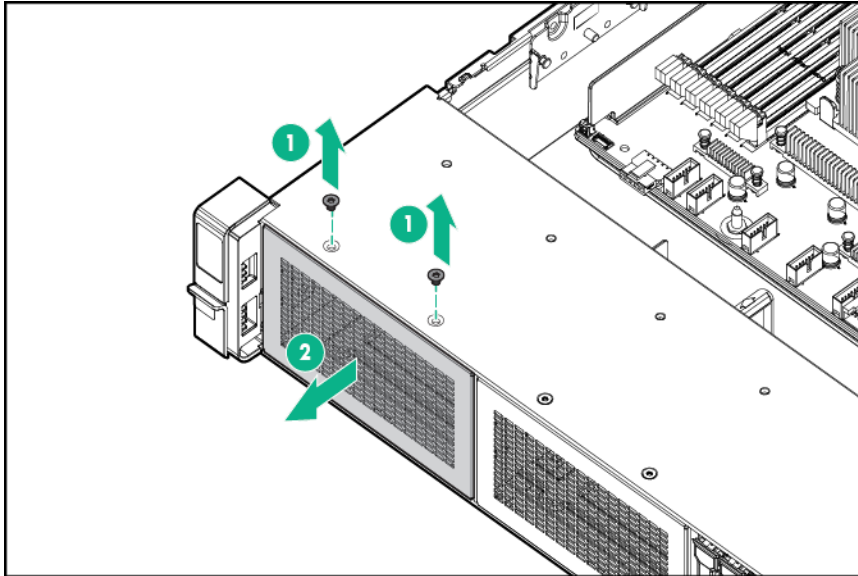
**CAUTION:** To prevent damage to electrical components, properly ground the server before beginning any installation procedure. Improper grounding can cause ESD.

2. **Power down the server.**
3. Do one of the following:
  - **Extend the server from the rack.**
  - **Remove the server from the rack.**
4. **Remove the access panel.**
5. **Remove the air baffle.**



**6. Remove the fan cage.**

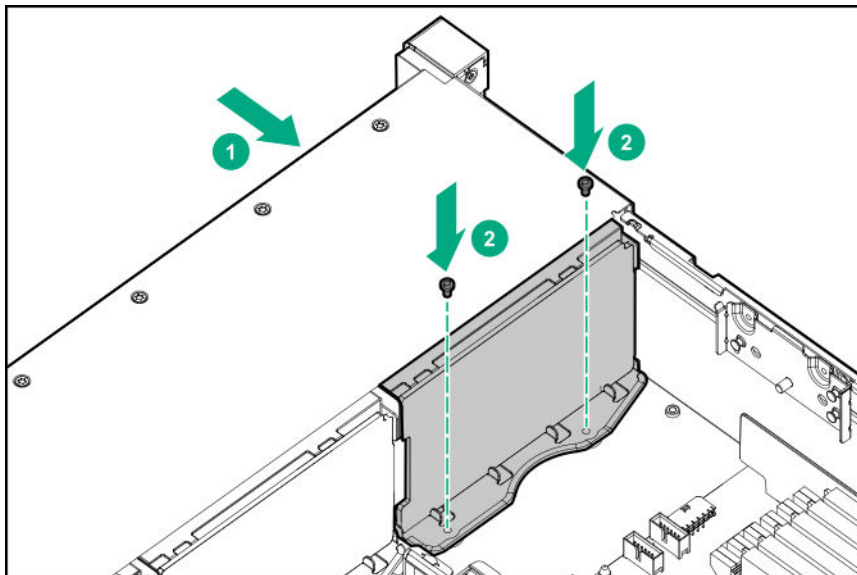
**7. Remove the blank.**



**8. Install the drive cage:**

**a.** If drive blanks are installed in the drive cage assembly, **remove the drive blanks**. Retain the drive blanks for use in empty drive bays.

**b.** Install the drive cage.



**9. Connect the power cable.**

**10. Install a storage controller.**

**11. Connect the data cables from the drive backplane to the controller.**

**12. Install drives** or drive blanks.

The installation is complete.



## Installing airflow labels

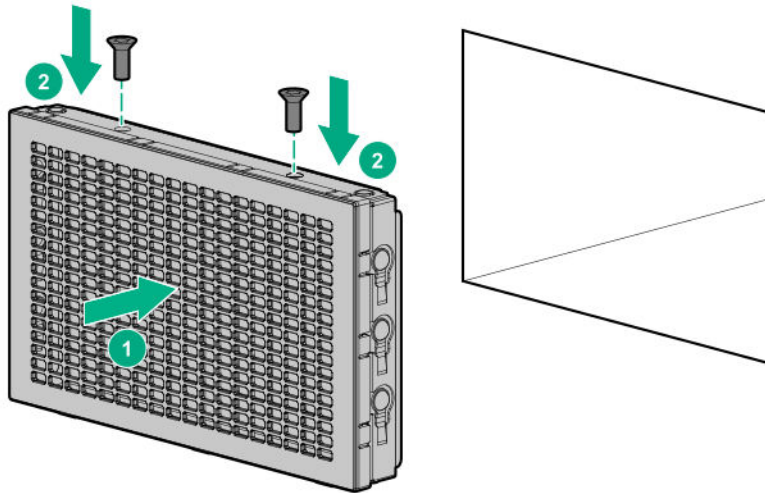
When an Express Bay drive cage is installed, airflow labels might be required:

### Prerequisites

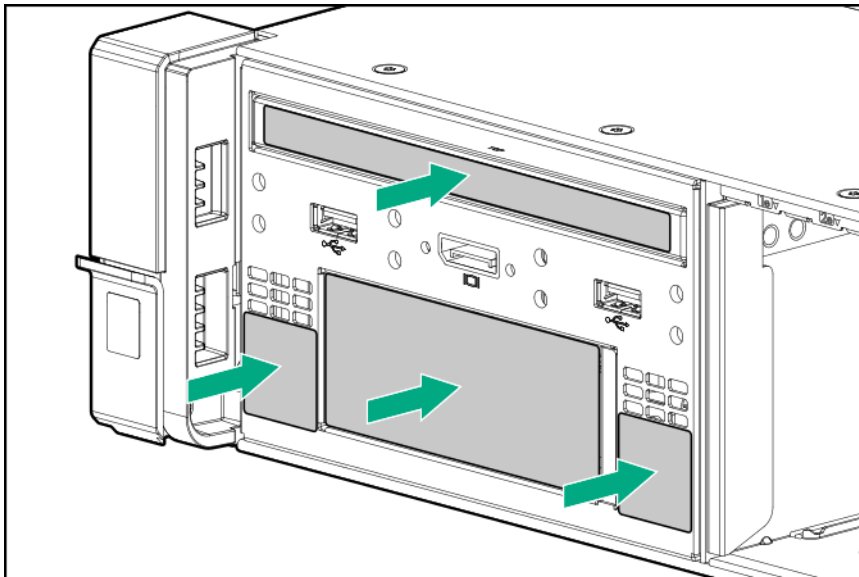
Before you perform this procedure, make sure that you have the components included with the hardware option kit.

### Procedure

- If an eight-bay SFF drive cage is installed in box 1, then airflow labels are not required.
- If a blank is installed in box 1, replace it with the blank that comes with the kit.

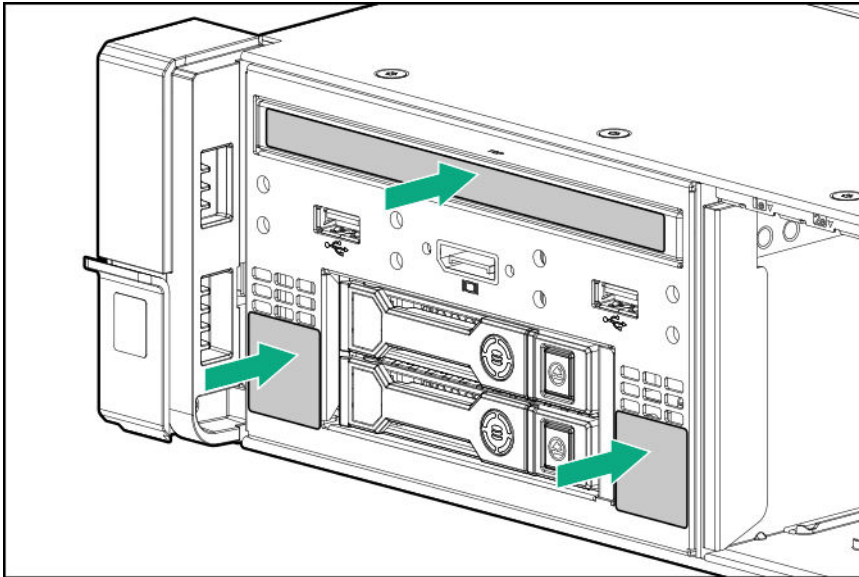


- If a Universal Media Bay is installed in box 1, do one of the following:
  - If the 2 SFF drive cage is not installed, then install airflow labels as shown.



- If a 2 SFF drive cage is installed, then install the airflow labels as shown.





## Installing a front 8SFF SAS/SATA drive cage in box 1

### Prerequisites

Before you perform this procedure, make sure that you have the following items available:

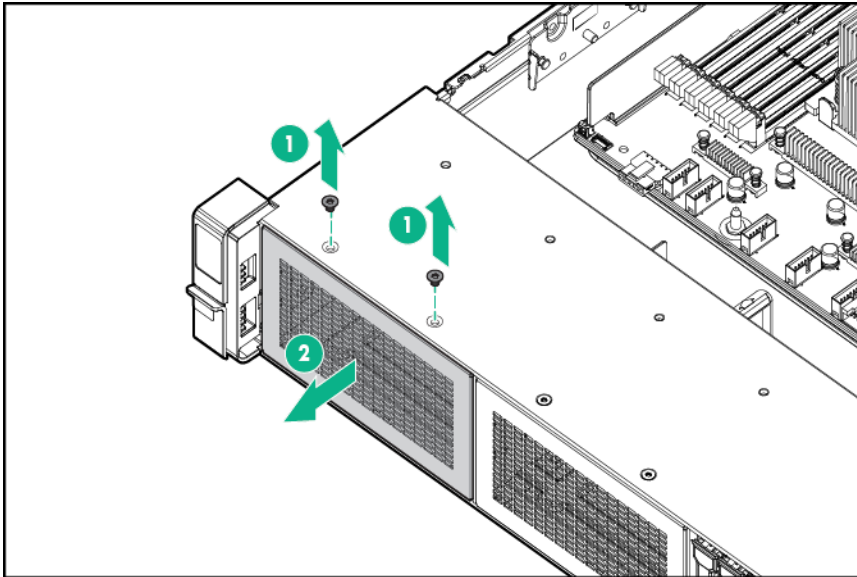
- T-10 Torx screwdriver
- The components included with the hardware option kit

### Procedure

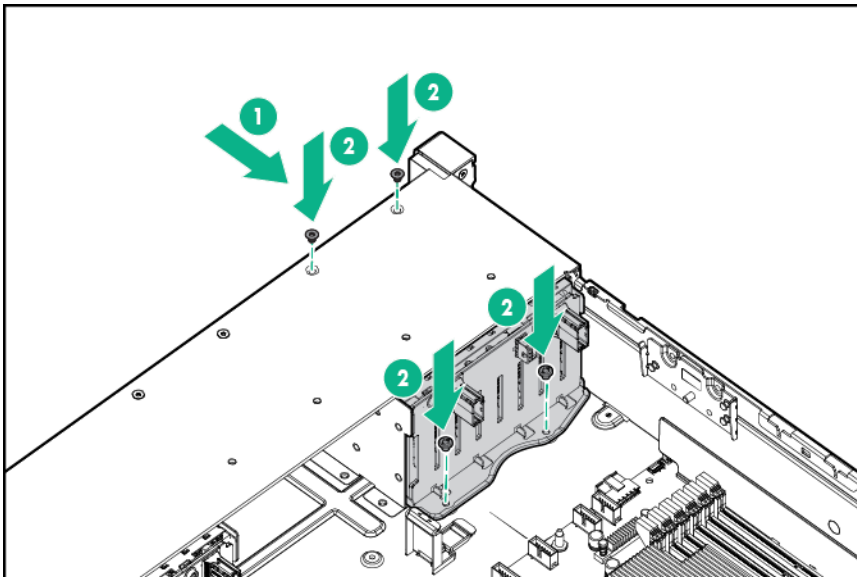
- 1. Power down the server.**
- 2. Remove all power:**
  - a. Disconnect each power cord from the power source.**
  - b. Disconnect each power cord from the server.**
- 3. Do one of the following:**
  - **Extend the server from the rack.**
  - **Remove the server from the rack.**
- 4. Remove the access panel.**
- 5. Remove the air baffle.**
- 6. Remove the fan cage.**
- 7. Remove the bay blank.**







8. Install the 8SFF front drive cage option.



9. **Connect the power and data cables.**
10. **Install the fan cage.**
11. **Install the air baffle.**
12. **Install the access panel.**
13. Slide the server into the rack.
14. Connect each power cord to the server.
15. Connect each power cord to the power source.
16. **Power up the server.**

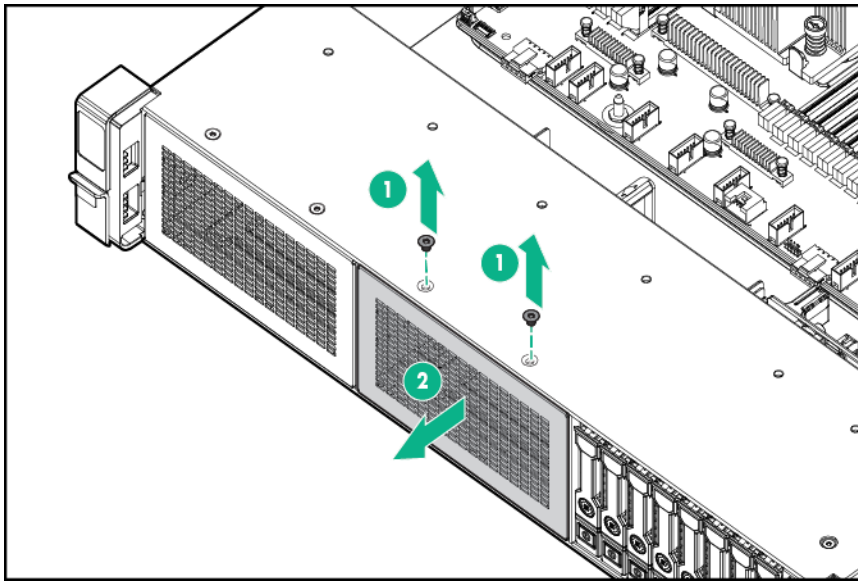
The installation is complete.



## Installing a front 8SFF SAS/SATA drive cage in box 2

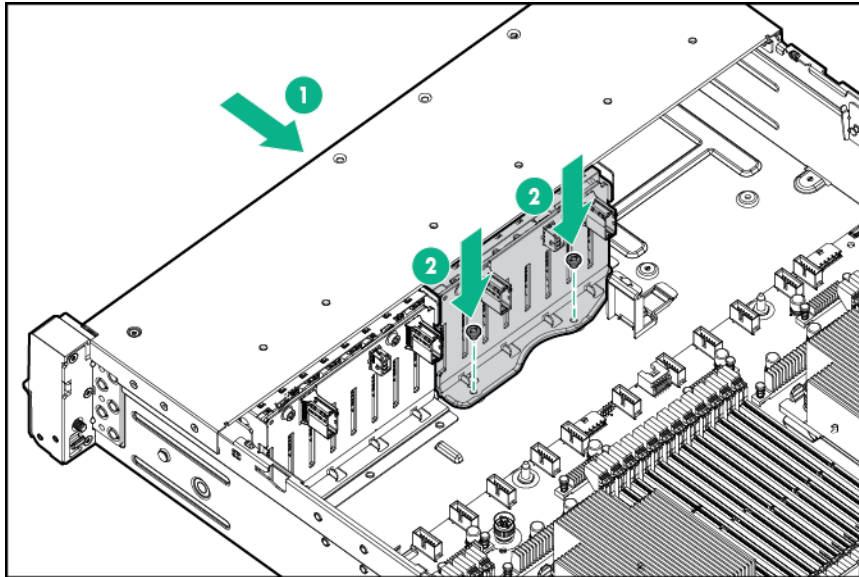
### Procedure

1. **Power down the server.**
2. Remove all power:
  - a. Disconnect each power cord from the power source.
  - b. Disconnect each power cord from the server.
3. Do one of the following:
  - **Extend the server from the rack.**
  - **Remove the server from the rack.**
4. **Remove the access panel.**
5. **Remove the air baffle.**
6. **Remove the fan cage.**
7. Remove the bay blank.



8. Install the 8SFF front drive cage option.





9. **Connect the power and data cables.**
10. **Install the fan cage.**
11. **Install the access panel.**
12. Slide the server into the rack.
13. Connect each power cord to the server.
14. Connect each power cord to the power source.
15. **Power up the server.**

The installation is complete.

## Installing a front 2SFF NVMe/SAS/SATA Premium drive cage

### Prerequisites

Before you perform this procedure, make sure that you have the following items available:

- T-10 Torx screwdriver
- The components included with the hardware option kit
- This installation requires a universal media bay.

### Procedure

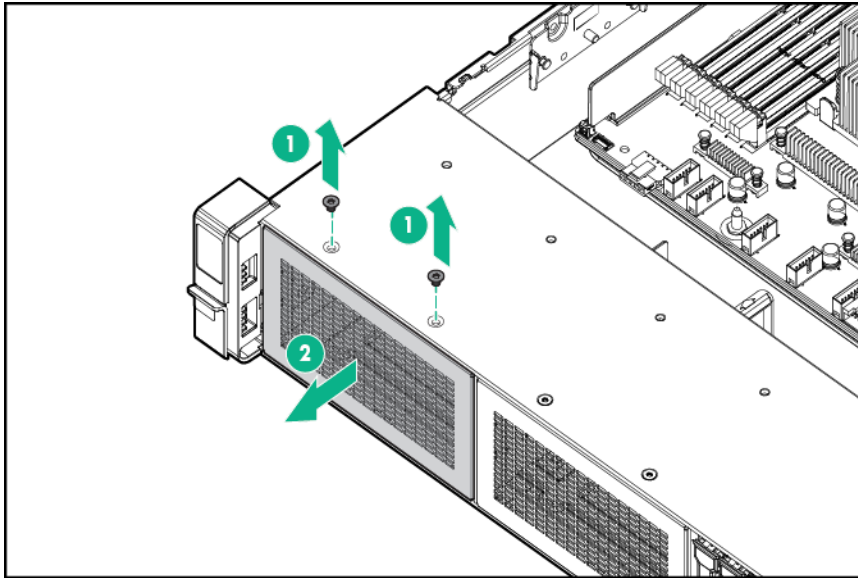
1. **Power down the server.**
2. Remove all power:
  - a. Disconnect each power cord from the power source.
  - b. Disconnect each power cord from the server.
3. Do one of the following:



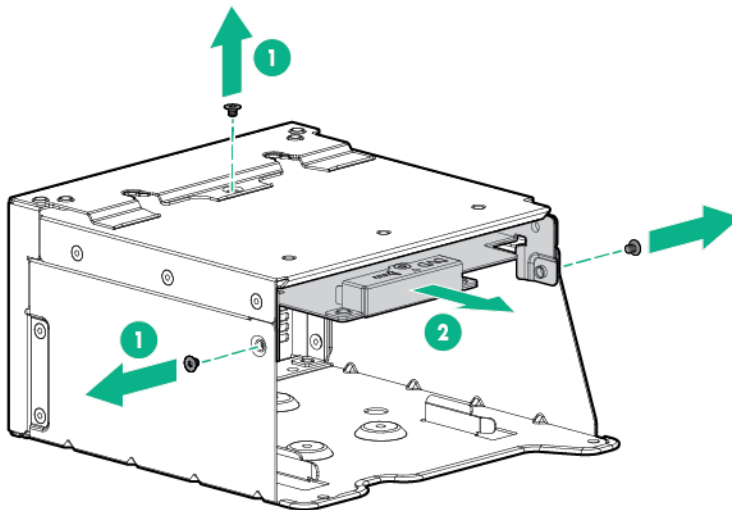
- **Extend the server from the rack.**
- **Remove the server from the rack.**

**4. Remove the access panel.**

- 5.** Remove the front bay blank.

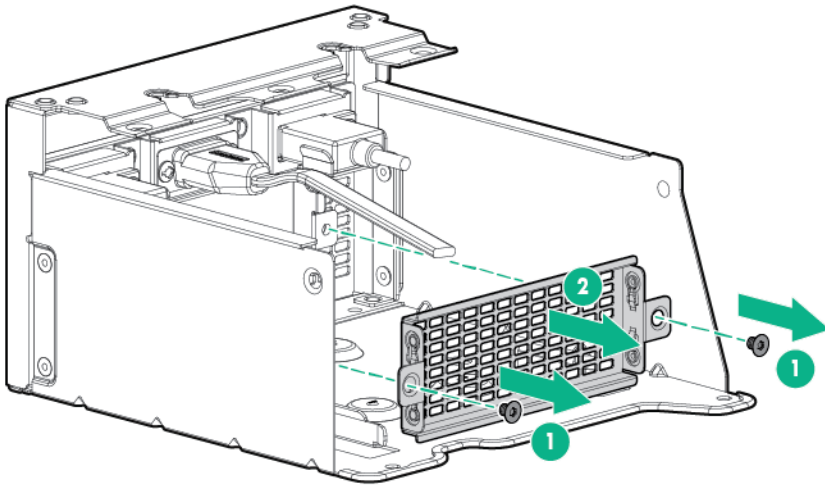


- 6.** Remove the optical disc drive from the universal media bay.

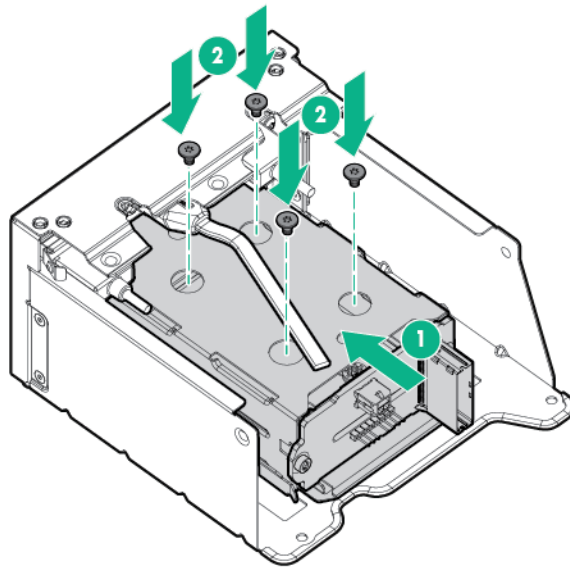


- 7.** Remove the SFF drive blank from the universal media bay.



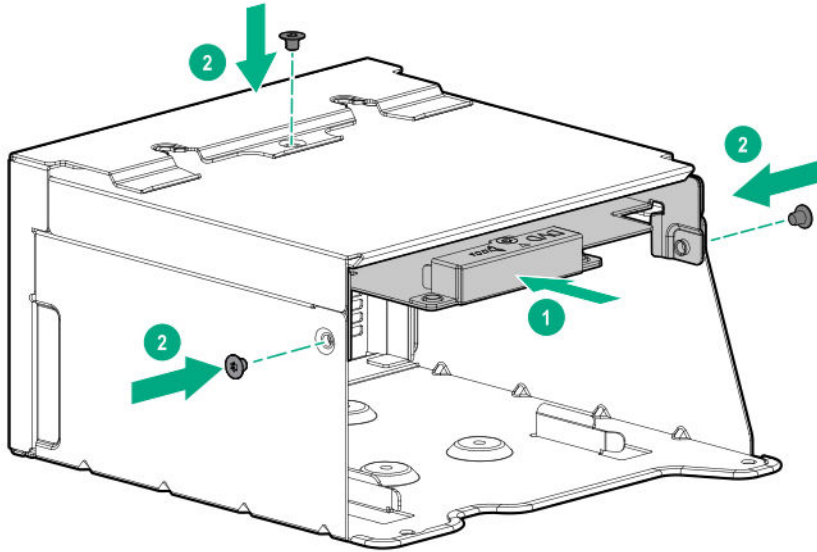


8. Install the drive cage into the universal media bay.

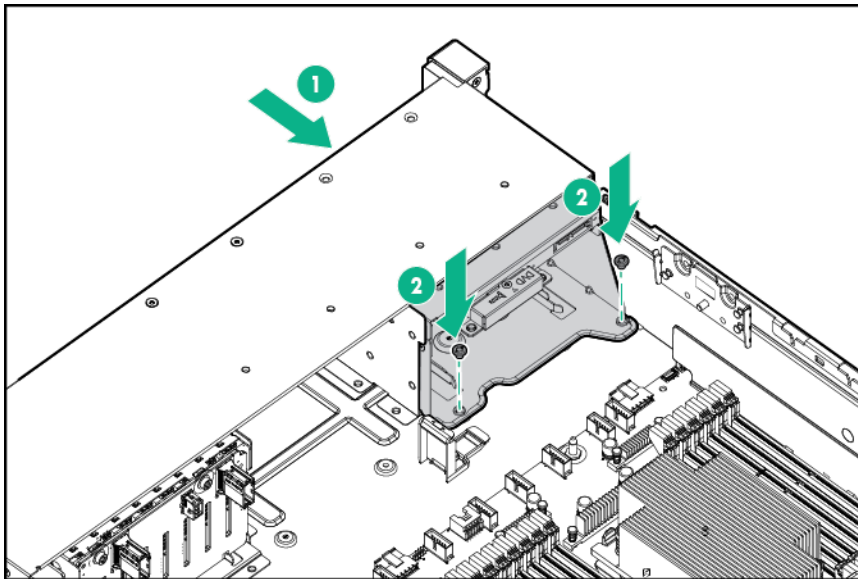


9. Install the optical disc drive in the universal media bay.





10. Install the universal media bay.



11. **Connect the power and data cables.**
12. **Install the access panel.**
13. Slide the server into the rack.
14. Connect each power cord to the server.
15. Connect each power cord to the power source.
16. **Power up the server.**

The installation is complete.

## Installing a midplane 4LFF SAS/SATA drive cage

Observe the following:



- A 1U heatsink is required for each processor when installing this option.
- If you have a TPM, install it prior to this option.
- If you have a type-a controller, install it prior to this option.

### Prerequisites

Before you perform this procedure, make sure that you have the following items available:

The components included with the hardware option kit

### Procedure

**1. Power down the server.**

**2. Remove all power:**

- a. Disconnect each power cord from the power source.
- b. Disconnect each power cord from the server.

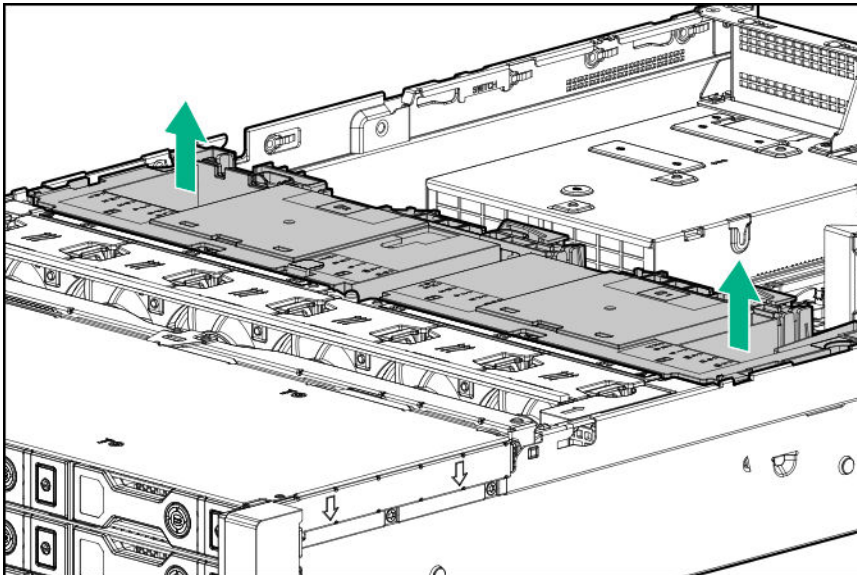
**3. Do one of the following:**

- **Extend the server from the rack.**
- **Remove the server from the rack.**

**4. Remove the access panel.**

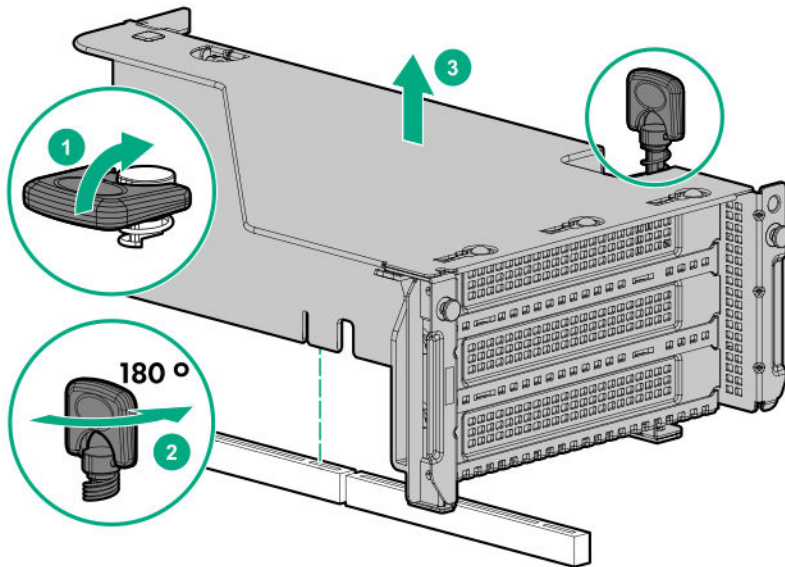
**5. Remove the air baffle.**

The air baffle is no longer needed. The drive cage acts as an air baffle for the server.



**6. Remove all riser cages.**

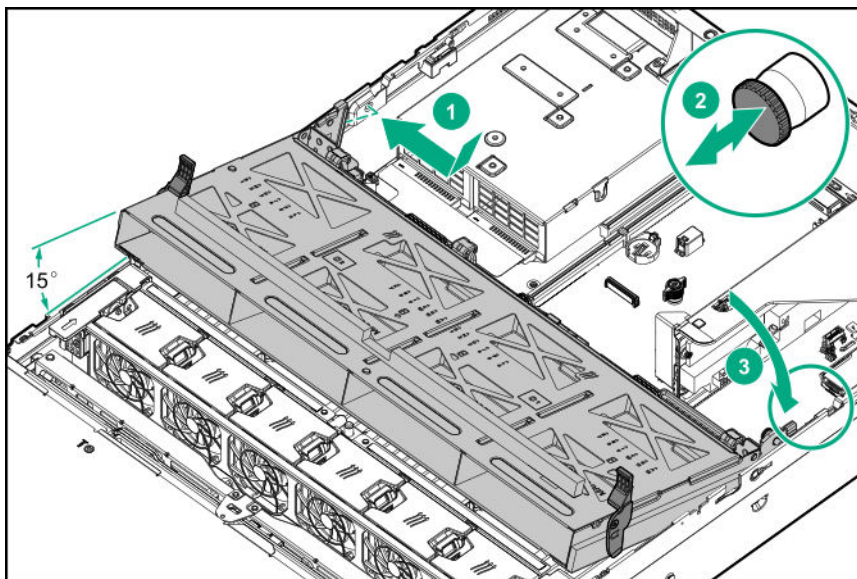




7. Connect the power cable to the drive backplane power connector on the system board.
8. If connecting the data cable to the system board or a controller, connect the data cable.
9. Prepare the drive cage for installation by lifting the latches on the drive cage.
10. Install the drive cage:

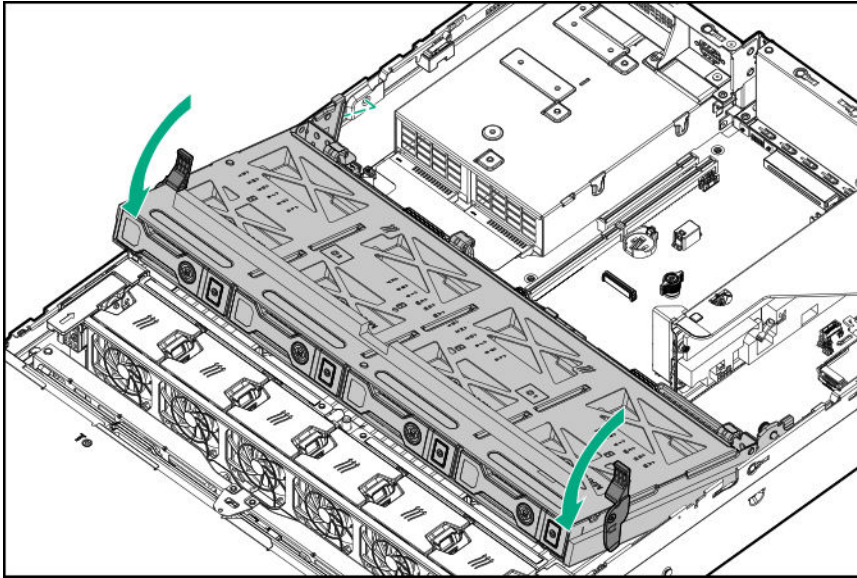
**⚠ CAUTION:** Do not drop the drive cage on the system board. Dropping the drive cage on the system board might damage the system or components. Remove all drives and use two hands when installing or removing the drive cage.

- a. Locate the alignment pins on the rear of the drive cage.
- b. Align the pin on the rear left of the drive cage to the server and then insert the pin.
- c. Gently lower the opposite side of the drive cage.
- d. Pull the plunger pin on the rear right of the drive cage and then lower the drive cage until the plunger pin engages.





11. Install drives or drive blanks.
12. Push down on the latches to lower the drive cage into place.



13. Connect the power and data cables to the drive backplane.

The installation is complete.

## Installing a rear 2SFF SAS/SATA drive cage in the primary or secondary riser

### Prerequisites

Before you perform this procedure, make sure that you have the following items available:

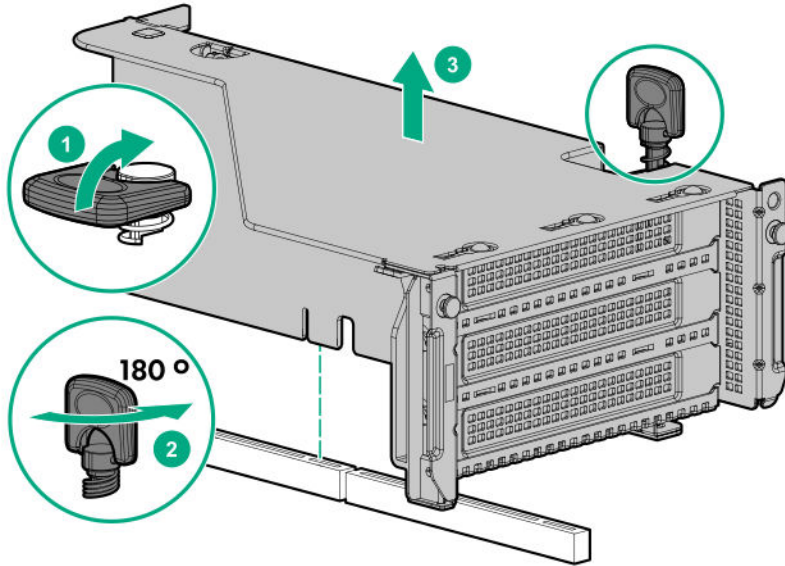
- T-10 Torx screwdriver
- The components included with the hardware option kit
- The front drive bays are fully populated with 12 LFF or 24 SFF drives.
- High performance fans are installed in all fan bays.

### Procedure

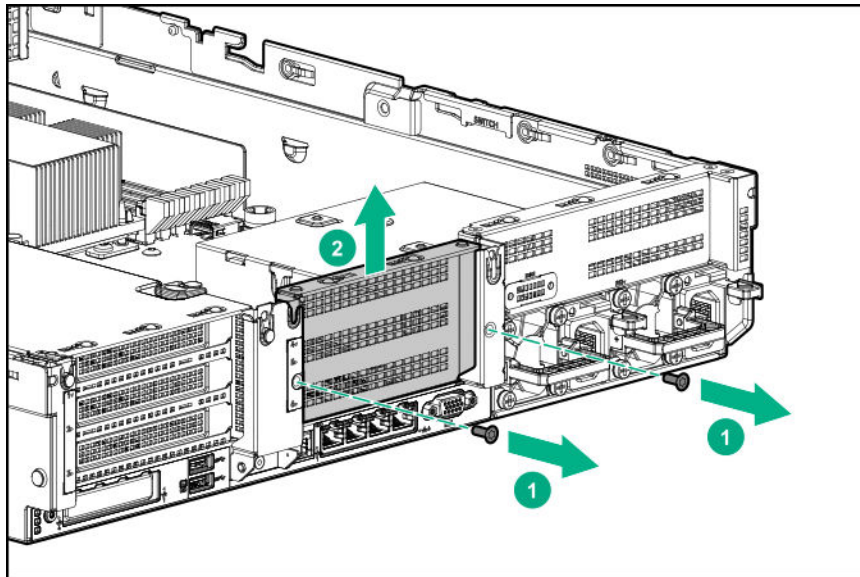
1. **Power down the server.**
2. Remove all power:
  - a. Disconnect each power cord from the power source.
  - b. Disconnect each power cord from the server.
3. Do one of the following:
  - **Extend the server from the rack.**
  - **Remove the server from the rack.**
4. **Remove the access panel.**



5. Do one of the following:  
For primary bays, remove the riser cage.

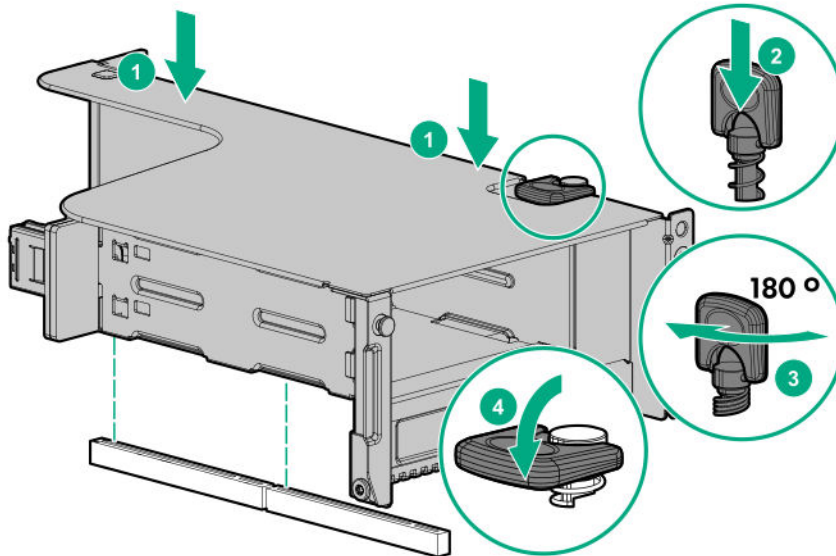


For secondary bays, remove the rear wall blank.



6. **Install a SAS expander or other expansion card, if needed.**  
7. Install the drive cage.





8. **Cable the drive backplane.**
9. **Install drives or drive blanks.**
10. **Install the access panel.**
11. Slide the server into the rack.
12. Connect each power cord to the server.
13. Connect each power cord to the power source.
14. **Power up the server.**

The installation is complete.

## Installing a rear 2 SFF SAS/SATA drive cage over the power supplies

### Prerequisites

Before you perform this procedure, make sure that you have the following items available:

- T-10 Torx screwdriver
- The components included with the hardware option kit
- The front bays are fully populated with 12 LFF or 24 SFF drives
- High-performance fans are installed in all fan bays

### Procedure

1. **Power down the server.**
2. Remove all power:
  - a. Disconnect each power cord from the power source.
  - b. Disconnect each power cord from the server.
3. Do one of the following:

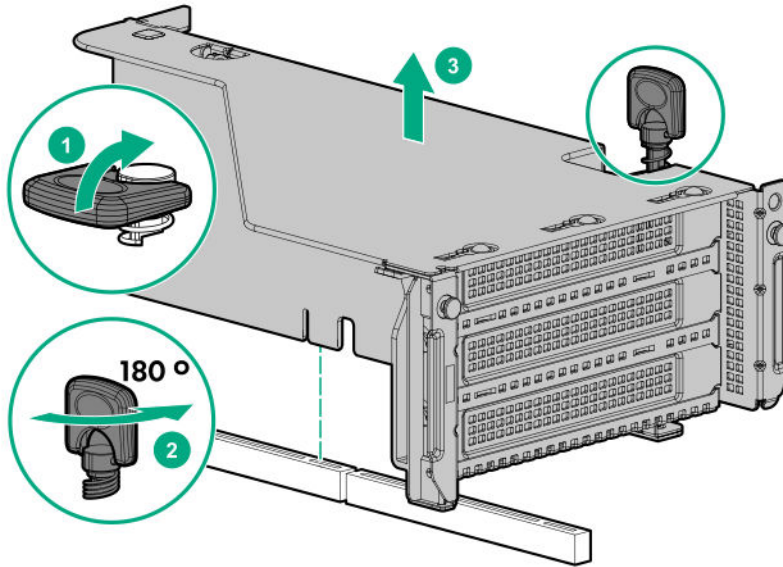


- **Extend the server from the rack.**
- **Remove the server from the rack.**

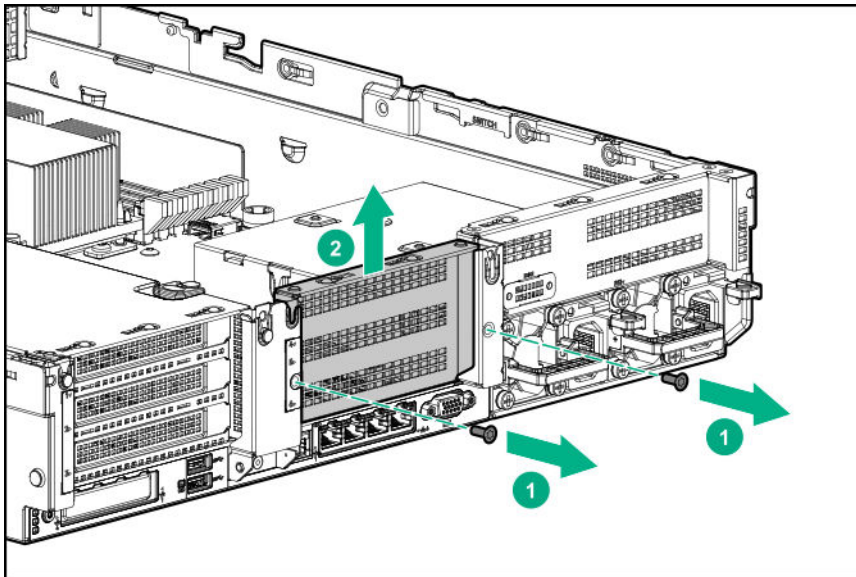
**4. Remove the access panel.**

**5. Do one of the following:**

- If installed, remove the secondary riser cage.

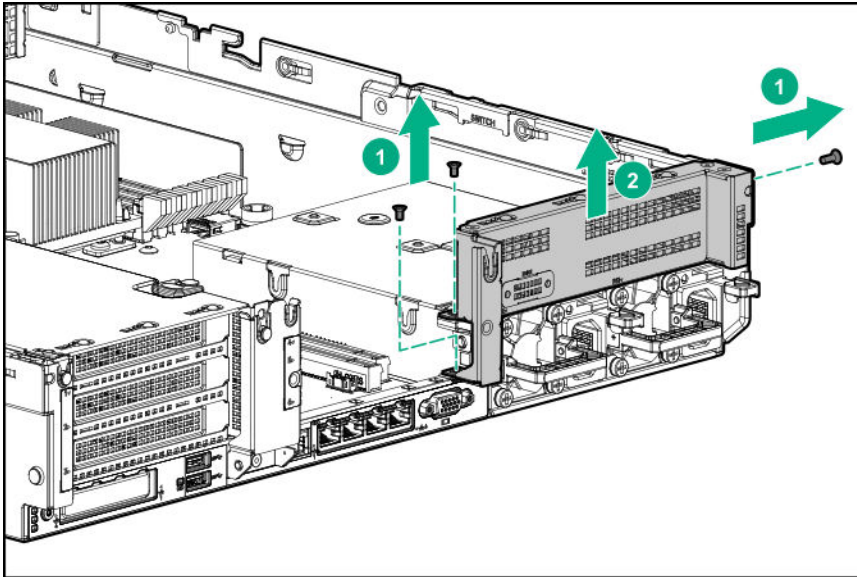


- Remove the secondary wall blank.

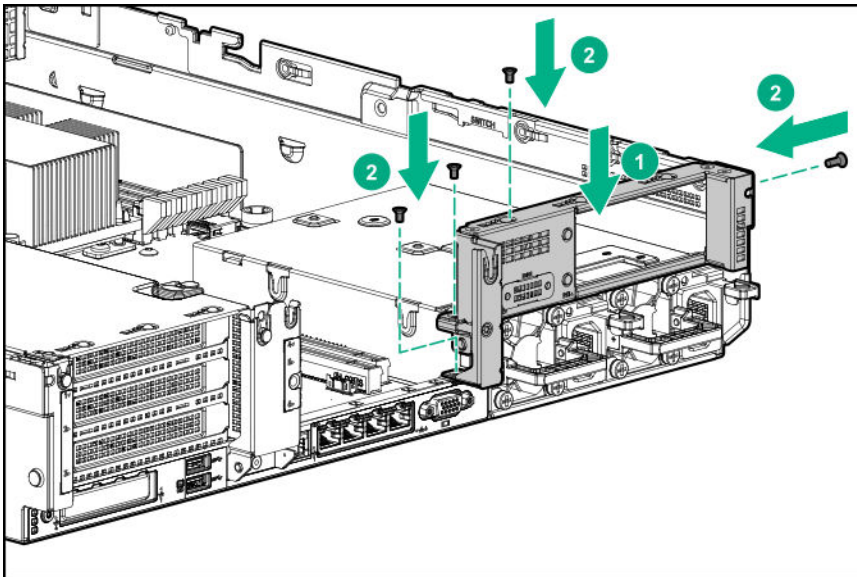


**6. Remove the tertiary wall blank.**



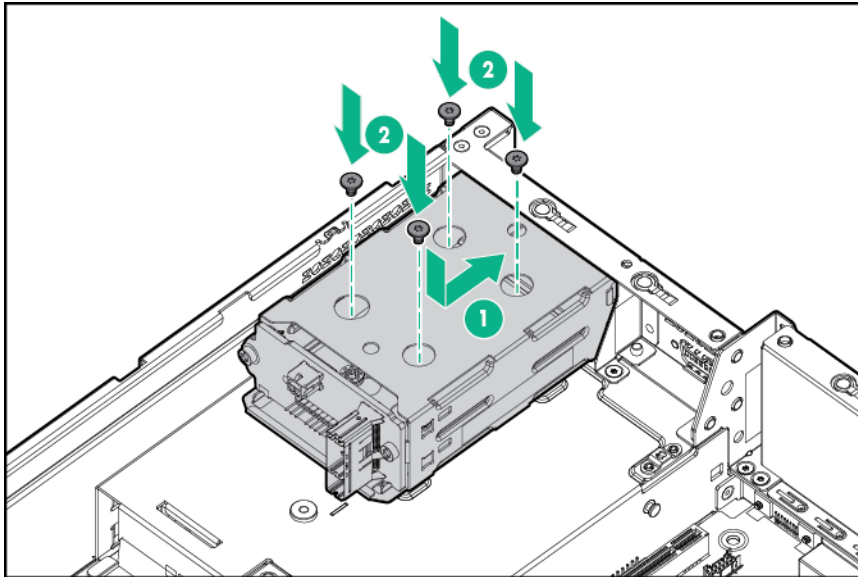


7. Install the drive cage compatible rear wall.



8. Install the drive cage.





9. Install drives or drive blanks.
10. Install the secondary riser cage or rear wall.
11. **Cable the drive backplane.**
12. **Install the access panel.**
13. Slide the server into the rack.
14. Connect each power cord to the server.
15. Connect each power cord to the power source.
16. **Power up the server.**

The installation is complete.

## Installing a rear 3LFF SAS/SATA drive cage

Before installing this option, the front bays must be fully populated with 12 LFF drives. High-performance fans must be installed in all fan bays.

### Prerequisites

Before you perform this procedure, make sure that you have the following items available:

- T-10 Torx screwdriver
- The components included with the hardware option kit

### Procedure

1. **Power down the server.**
2. Remove all power:
  - a. Disconnect each power cord from the power source.
  - b. Disconnect each power cord from the server.

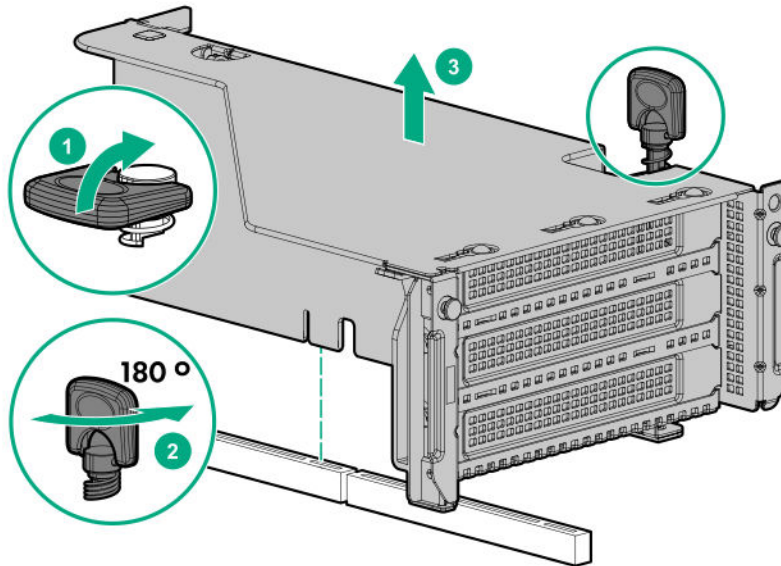


3. Do one of the following:

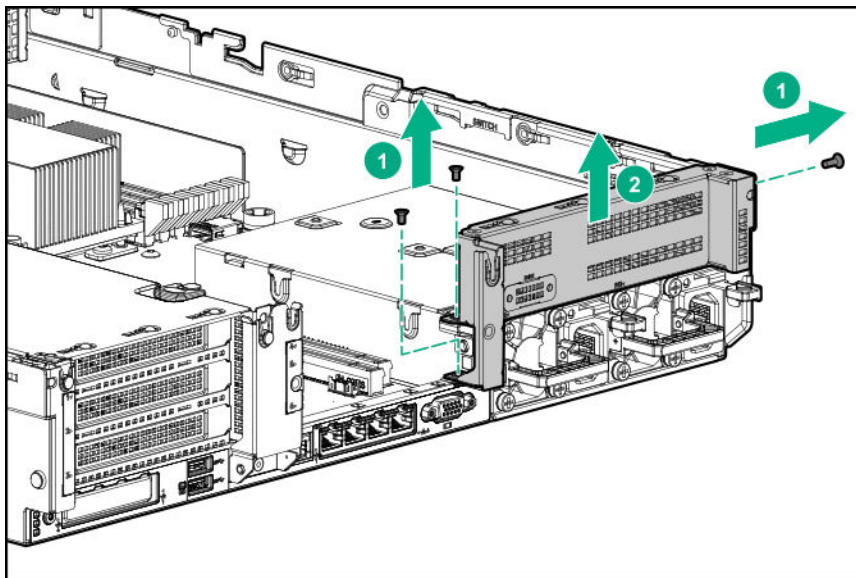
- **Extend the server from the rack.**
- **Remove the server from the rack.**

4. **Remove the access panel.**

5. If installed, remove the secondary riser cage. The secondary riser cage is not supported with a three-bay LFF rear configuration.

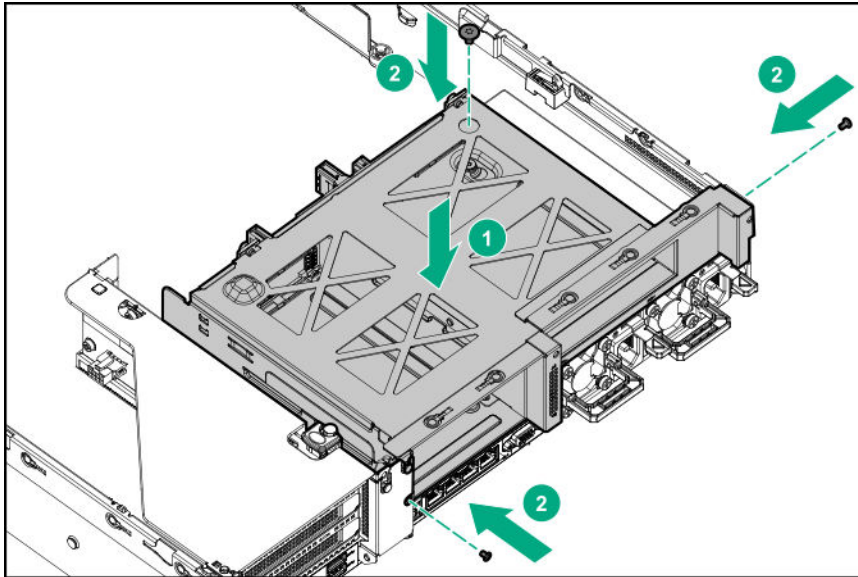


6. Remove the rear wall blank.



7. Install the three-bay LFF rear drive cage option.





8. Install drives or drive blanks.
9. **Connect the power and data cables.**
10. **Install the access panel.**
11. Slide the server into the rack.
12. Connect each power cord to the server.
13. Connect each power cord to the power source.
14. **Power up the server.**

The installation is complete.

## Riser and riser cage options

### Installing primary and secondary risers

#### Prerequisites

Before you perform this procedure, make sure that you have the following items available:

- The components included with the hardware option kit
- T-10 Torx screwdriver

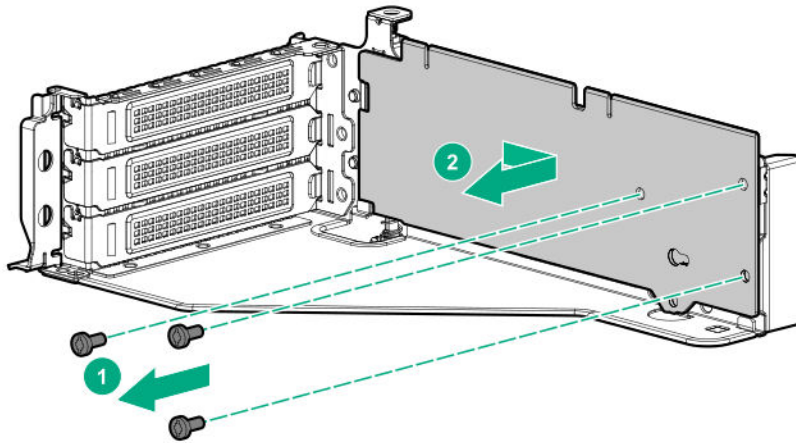
#### Procedure

1. **Power down the server.**
2. Do one of the following:
  - Disconnect each power cord from the power source.
  - Disconnect each power cord from the server.

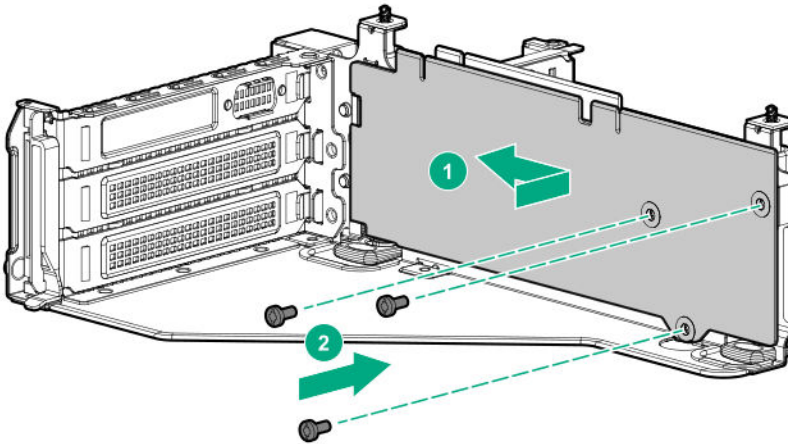




3. Do one of the following:
  - **Extend the server from the rack.**
  - **Remove the server from the rack.**
4. **Remove the access panel.**
5. **Remove the riser cage.**
6. Remove the riser board.



7. Install the riser.



8. **If needed, install an expansion board.**
9. If needed, connect data cables to the riser or expansion board.
10. **Install the riser cage.**
11. If needed, connect data cables to the drive backplane.

The installation is complete.



## Installing tertiary risers

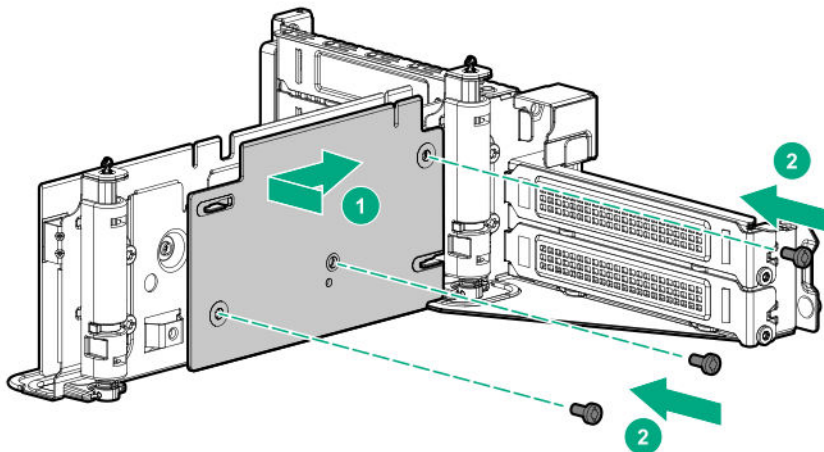
### Prerequisites

Before you perform this procedure, make sure that you have the following items available:

- The components included with the hardware option kit
- T-10 Torx screwdriver
- A tertiary riser cage is required to install this option.

### Procedure

1. **Power down the server.**
2. Do one of the following:
  - Disconnect each power cord from the power source.
  - Disconnect each power cord from the server.
3. Do one of the following:
  - **Extend the server from the rack.**
  - **Remove the server from the rack.**
4. **Remove the access panel.**
5. **Remove the riser cage.**
6. Install the riser.



7. **If needed, install an expansion board.**
8. If needed, connect data cables to the riser or expansion board.
9. **Install the tertiary riser cage.**
10. If needed, connect cables to drive backplane.

The installation is complete.



## Installing a secondary riser cage

### Prerequisites

Before you perform this procedure, make sure that you have the following items available:

- The components included with the hardware option kit
- T-10 Torx screwdriver

### Procedure

1. Observe the following alert:

---

**CAUTION:** To prevent damage to the server or expansion boards, power down the server and remove all AC power cords before removing or installing the PCI riser cage.

---

2. **Power down the server.**

3. Remove all power:

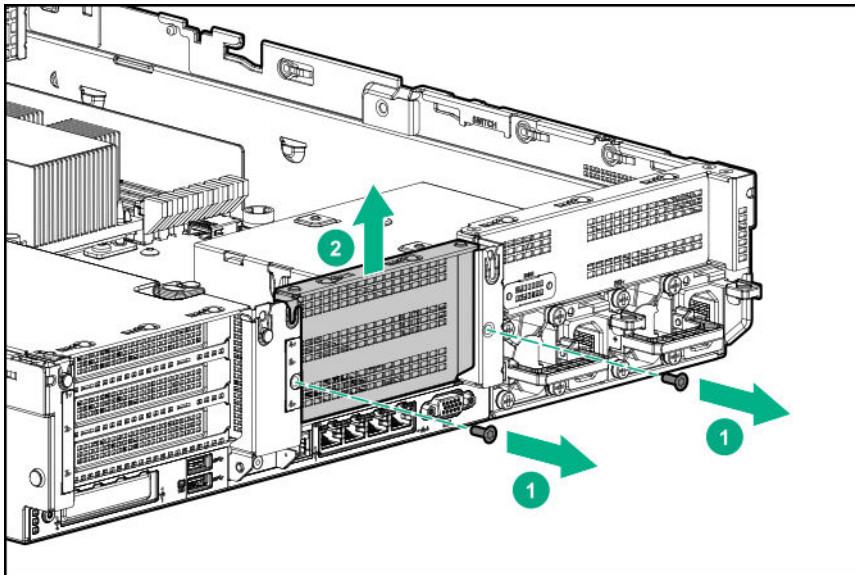
- a. Disconnect each power cord from the power source.
- b. Disconnect each power cord from the server.

4. Do one of the following:

- **Extend the server from the rack.**
- **Remove the server from the rack.**

5. **Remove the access panel.**

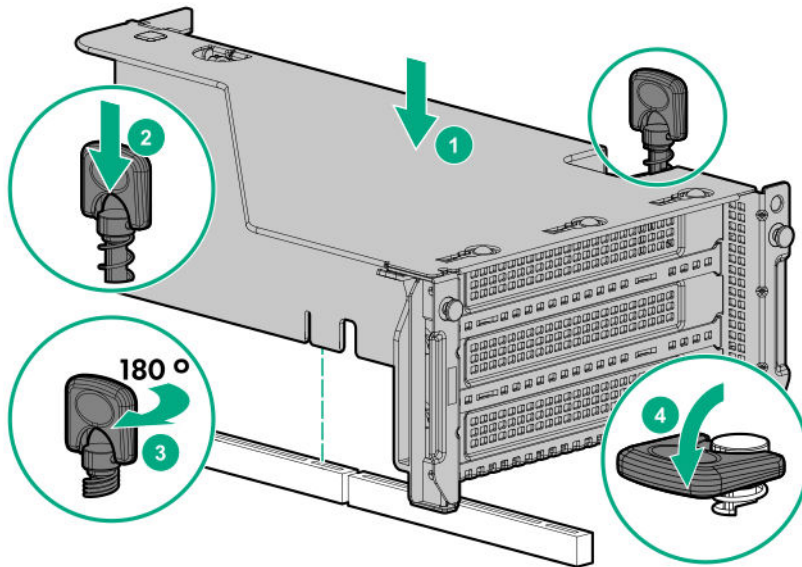
6. Remove the rear wall blank.



7. **Install any expansion boards, if needed.**

8. Install the riser cage:





The installation is complete.

## Installing a tertiary riser cage

### Prerequisites

Before you perform this procedure, make sure that you have the following items available:

- The components included with the hardware option kit
- T-10 Torx screwdriver

### Procedure

1. Observe the following alert.

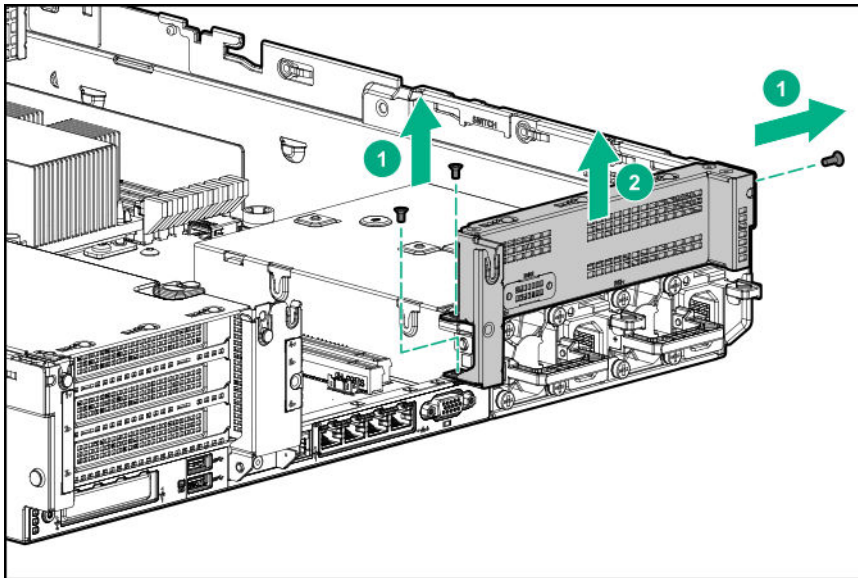
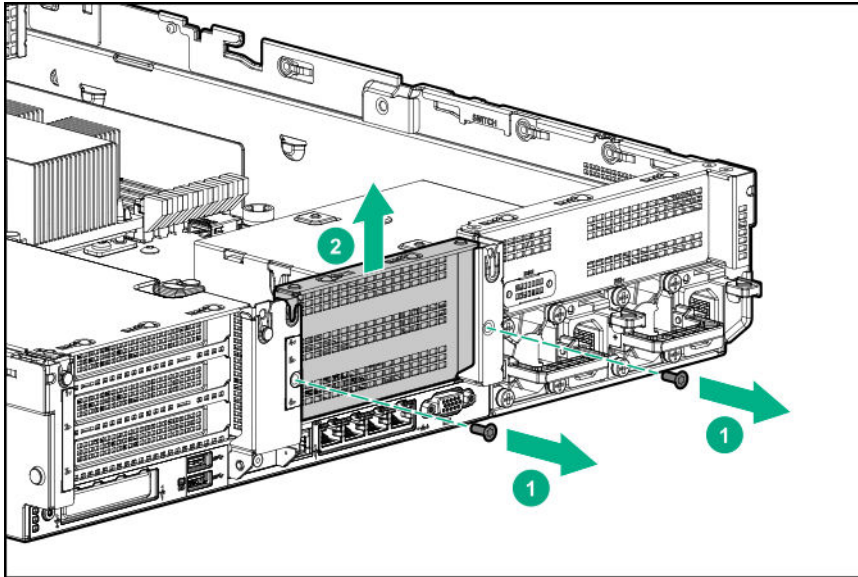
---

**CAUTION:** To prevent damage to the server or expansion boards, power down the server and remove all AC power cords before removing or installing the PCI riser cage.

---

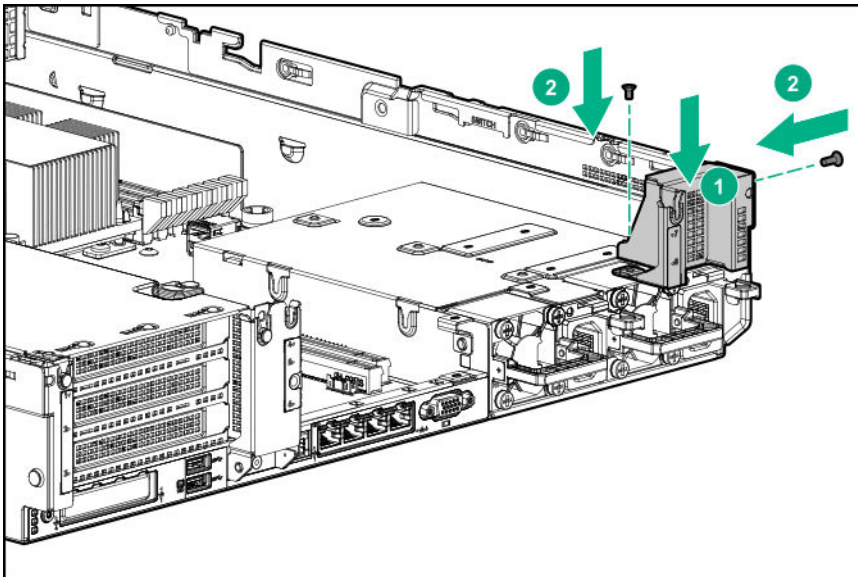
2. **Power down the server.**
3. Remove all power:
  - a. Disconnect each power cord from the power source.
  - b. Disconnect each power cord from the server.
4. Do one of the following:
  - **Extend the server from the rack.**
  - **Remove the server from the rack.**
5. **Remove the access panel.**
6. Remove the rear wall blanks.





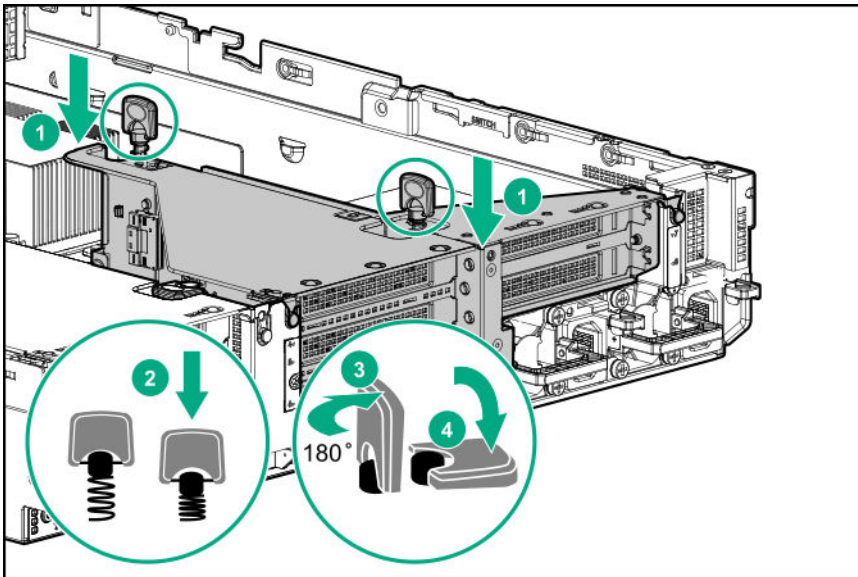
7. Install the rear blank from the option kit.





**8. Install any expansion boards, if needed**

9. Install the tertiary riser cage:



The installation is complete.

## Installing the 2NVMe slimSAS riser option

### Prerequisites

Before you perform this procedure, make sure that you have the following items available:

- The components included with the hardware option kit
- T-10 Torx screwdriver



## Procedure

1. **Power down the server.**
2. Do one of the following:
  - Disconnect each power cord from the power source.
  - Disconnect each power cord from the server.
3. Do one of the following:
  - **Extend the server from the rack.**
  - **Remove the server from the rack.**
4. **Remove the access panel.**
5. **Using the labels on the cable, connect the cables to the riser.**
6. **Install the tertiary riser cage.**
7. Connect the cable to the drive backplane.

The installation is complete.

## Installing the 8NVMe slimSAS riser option

The 8NVMe slimSAS riser can be installed in the primary or secondary position.

### Prerequisites

Before you perform this procedure, make sure that you have the following items available:

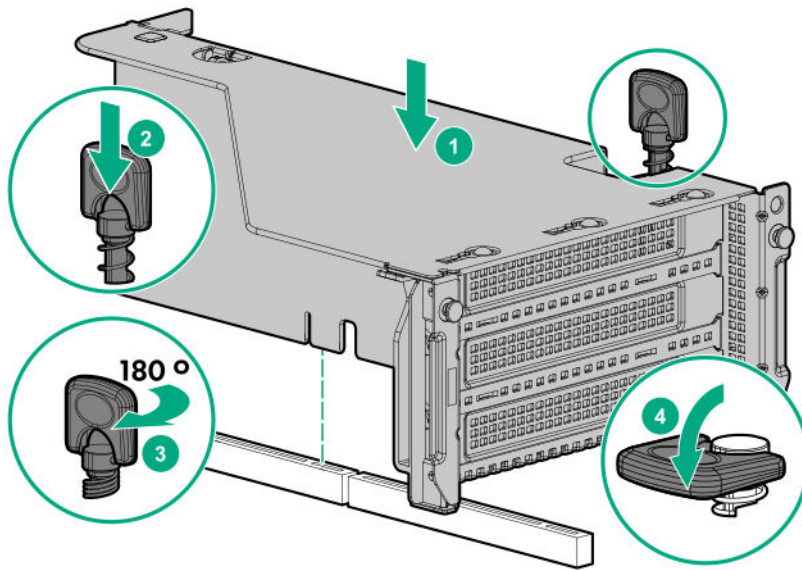
- The components included with the hardware option kit
- T-10 Torx screwdriver

## Procedure

1. **Power down the server.**
2. Do one of the following:
  - Disconnect each power cord from the power source.
  - Disconnect each power cord from the server.
3. Do one of the following:
  - **Extend the server from the rack.**
  - **Remove the server from the rack.**
4. **Remove the access panel.**
5. **Using the labels on the cable, connect the cables to the riser.**
6. Do one of the following:



To install the riser in the primary position:



To install the riser in the secondary position, install the **secondary riser cage**.

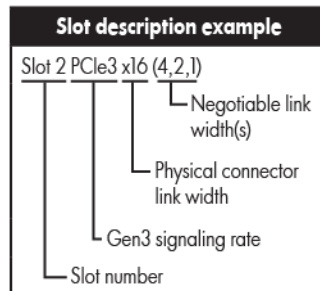
7. Connect data cables to the drive backplane.

## Expansion slots

### Supported PCIe form factors

All slots support full-height expansion cards. Use the following information to find supported lengths for each slot.

#### Slot description example





### Primary riser connector

PCIe slot and card length	3-slot riser*	2-slot riser (Optional)	2-slot riser (Optional)
Slot 1 - Full-length/Full-height (FL/FH)	PCIe3 x8 (8, 4, 2, 1)	—	PCIe3 x16 (16, 8, 4, 2, 1)
Slot 2 - Full-length/Full-height (FL/FH)	PCIe3 x16 (16, 8, 4, 2, 1)	PCIe3 x16 (16, 8, 4, 2, 1)	PCIe3 x16 (16, 8, 4, 2, 1)
Slot 3 - Half-length/Full-height (HL/FH)	PCIe3 x8 (8, 4, 2, 1)	PCIe3 x16 (16, 8, 4, 2, 1)	—

\*The server ships with one PCIe3 riser cage installed in the primary riser cage connector.

### Secondary riser connector

PCIe slot and card length	3-slot riser*	2-slot riser (Optional)	2-slot riser (Optional)
Slot 4 - Full-length/Full-height (FL/FH)	PCIe3 x8 (8, 4, 2, 1)	—	PCIe3 x16 (16, 8, 4, 2, 1)
Slot 5 - Full-length/Full-height (FL/FH)	PCIe3 x16 (16, 8, 4, 2, 1)	PCIe3 x16 (16, 8, 4, 2, 1)	PCIe3 x16 (16, 8, 4, 2, 1)
Slot 6 - Half-length/Full-height (HL/FH)	PCIe3 x8 (8, 4, 2, 1)	PCIe3 x16 (16, 8, 4, 2, 1)	—

### Tertiary riser connector

PCIe slot and card length	2-slot riser (Optional)	1-slot riser (Optional)
Slot 7 - Full-length/Full-height (FL/FH)	PCIe3 x8 (8, 4, 2, 1)	PCIe3 x16 (16, 8, 4, 2, 1)
Slot 8 - Half-length/Full-height (HL/FH)	PCIe3 x8 (8, 4, 2, 1)	—

## Installing expansion boards

**⚠ WARNING:** To reduce the risk of personal injury, electric shock, or damage to the equipment, remove the power cord to remove power from the server. The front panel Power On/Standby button does not completely shut off system power. Portions of the power supply and some internal circuitry remain active until AC power is removed.

**⚠ CAUTION:** To prevent improper cooling and thermal damage, do not operate the server unless all PCI slots have either an expansion slot cover or an expansion board installed.

To install the component:

### Prerequisites

Use these instructions to install expansion boards such as Smart I/O cards (DSC-25 2-port SFP28 card), solid state NVMe/PCIe Add-In-Cards, HBAs, CNAs, InfiniBand adapters, and accelerators.

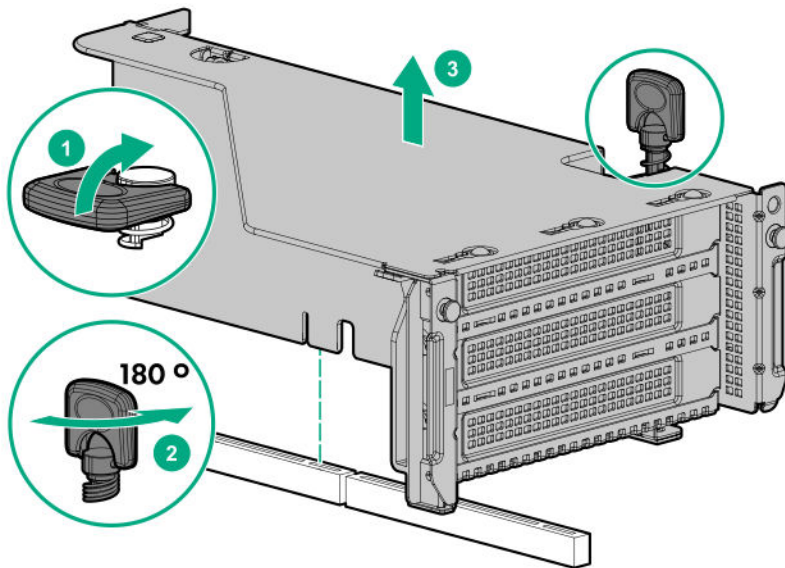
Before you perform this procedure, make sure that you have the following items available:

The components included with the hardware option kit

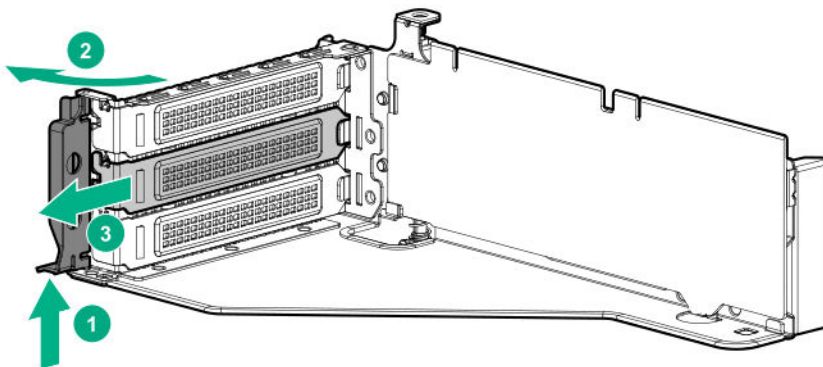


## Procedure

1. **Power down the server.**
2. Remove all power:
  - a. Disconnect each power cord from the power source.
  - b. Disconnect each power cord from the server.
3. Do one of the following:
  - **Extend the server from the rack.**
  - **Remove the server from the rack.**
4. **Remove the access panel.**
5. Remove the riser cage.

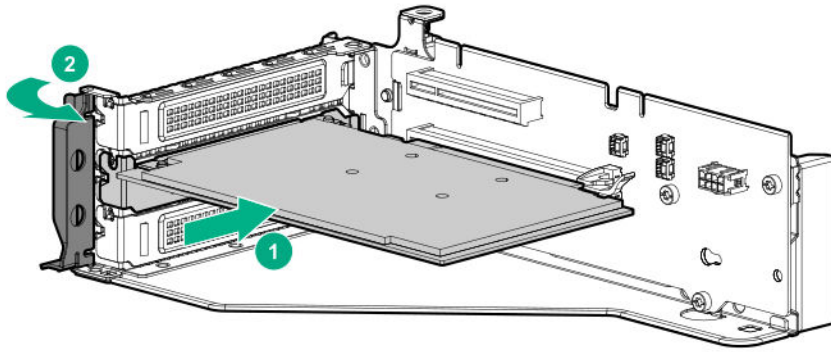


6. Identify and then remove the PCIe blank from the riser cage.

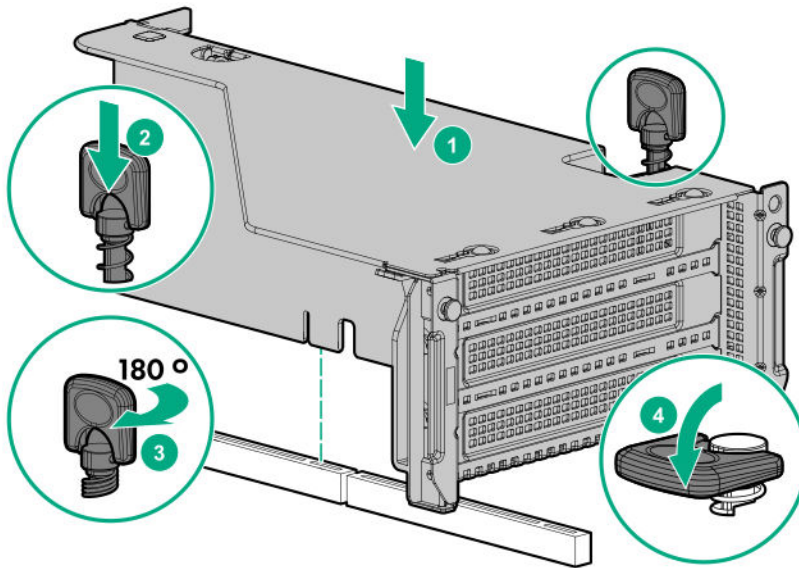


7. Install the expansion board.





8. If internal cables are required for the expansion board, connect the cables.
9. Install the riser cage.



10. **Install the access panel.**
11. Slide the server into the rack.
12. Connect each power cord to the server.
13. Connect each power cord to the power source.
14. **Power up the server.**

The installation is complete.

## Installing a 12G SAS Expander Card

- For 24SFF configurations, install 8SFF front drive cages in boxes 1 and 2.
- For configurations including a 2SFF rear drive cage, install the drive cage over the power supplies.
- HPE recommends installing the SAS expander card into slot 3 of the primary PCIe riser expansion card.



- To ensure that cables are connected correctly, observe the labels on the cable and port.
- Be sure that you have the latest firmware for the controllers and the expander card. To download the latest firmware, see the [Hewlett Packard Enterprise website](#).

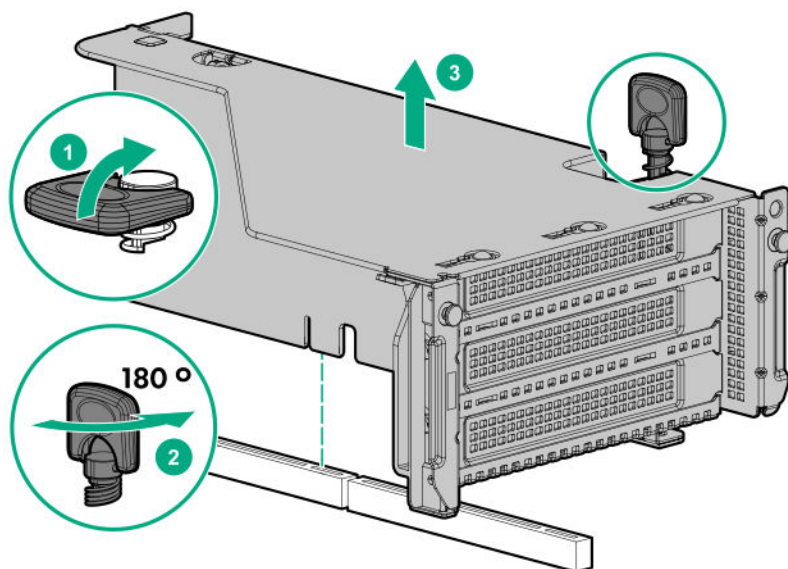
### Prerequisites

Before you perform this procedure, make sure that you have the following items available:

- The components included with the hardware option kit
- Storage cables for each drive box
- A storage controller

### Procedure

1. **Power down the server.**
2. Remove all power:
  - a. Disconnect each power cord from the power source.
  - b. Disconnect each power cord from the server.
3. Do one of the following:
  - **Extend the server from the rack.**
  - **Remove the server from the rack.**
4. **Remove the access panel.**
5. **Remove the air baffle.**
6. **Remove the fan cage.**
7. Remove the riser cage.



8. Locate slot 3, and then **remove the expansion slot blank.**



**9. Install the 12G SAS expander card.**

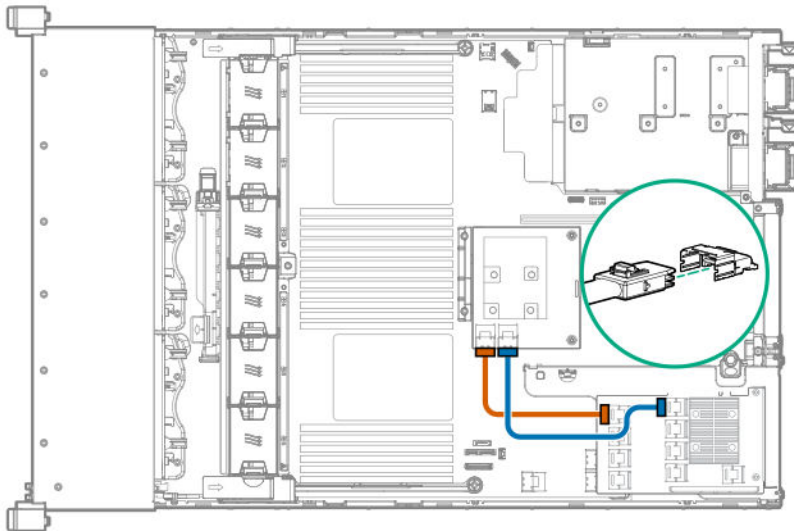
**!** **IMPORTANT:** The 12G SAS expander card requires a controller. The server supports embedded, type-a, and type-p Smart Array controllers. If using a type-p Smart Array controller, then install the controller in slot 1.

**10. Using the labels on each cable, connect the cables to the SAS expander.**

For drive numbering, see "**Drive bay numbering: SAS expander**".

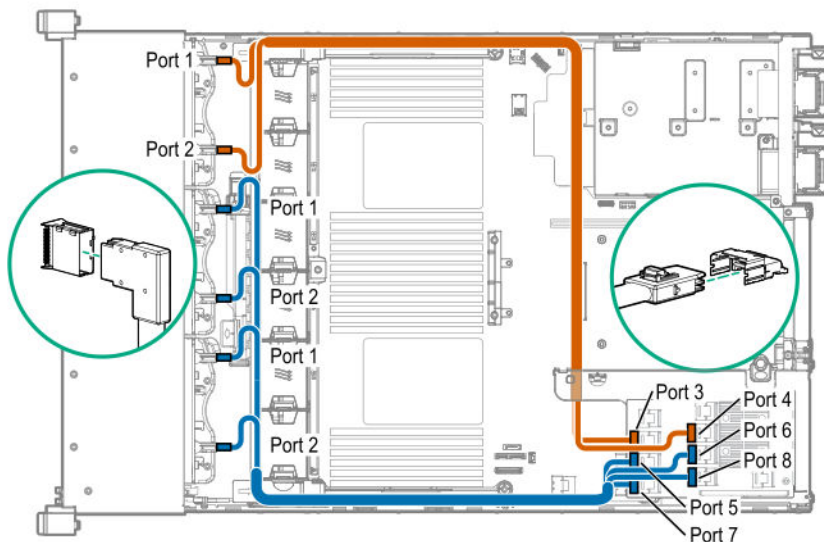
**11. Install the riser cage.**

**12. Connect cables from the 12G SAS expander to the controller.**



**13. Connect cables from the 12G SAS expander to the drive backplanes.**

A standard configuration is shown. For additional cabling diagrams, see **Cabling diagrams**.



**14. Install the fan cage.**

**15. Install the air baffle.**



16. **Install the access panel.**
17. **Install the server into the rack.**
18. Connect each power cord to the server.
19. Connect each power cord to the power source.
20. **Power up the server.**

The installation is complete.

## Installing an accelerator or GPU

An accelerator or GPU can be installed into the primary, secondary, or tertiary position. This procedure shows an installation in the secondary position.

### Prerequisites

Before you perform this procedure, make sure that you have the following items available:

- The components included with the hardware option kit
- T-30 Torx screwdriver
- T-10 Torx screwdriver
- High-performance heatsinks must be installed with this option.

### Procedure

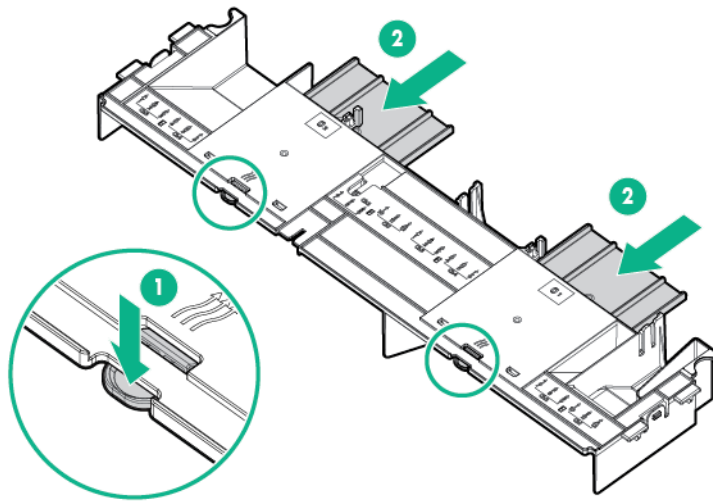
1. Observe the following alert.



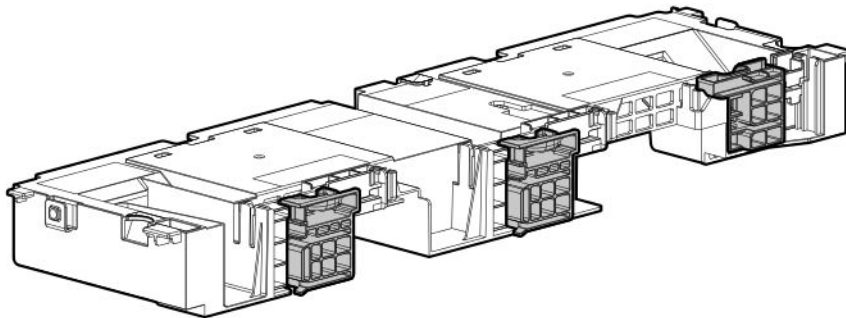
**CAUTION:** To prevent improper cooling and thermal damage, do not operate the server unless all PCIe slots have either an expansion slot cover or an expansion board installed.

---

2. **Power down the server.**
3. Remove all power:
  - a. Disconnect each power cord from the power source.
  - b. Disconnect each power cord from the server.
4. Do one of the following:
  - **Extending the server from the rack.**
  - **Removing the server from the rack.**
5. **Remove the access panel.**
6. **Removing the air baffle or midplane drive cage.**
7. For full-length cards that require support, install retention clips:
  - a. Remove the air diverters from the air baffle.

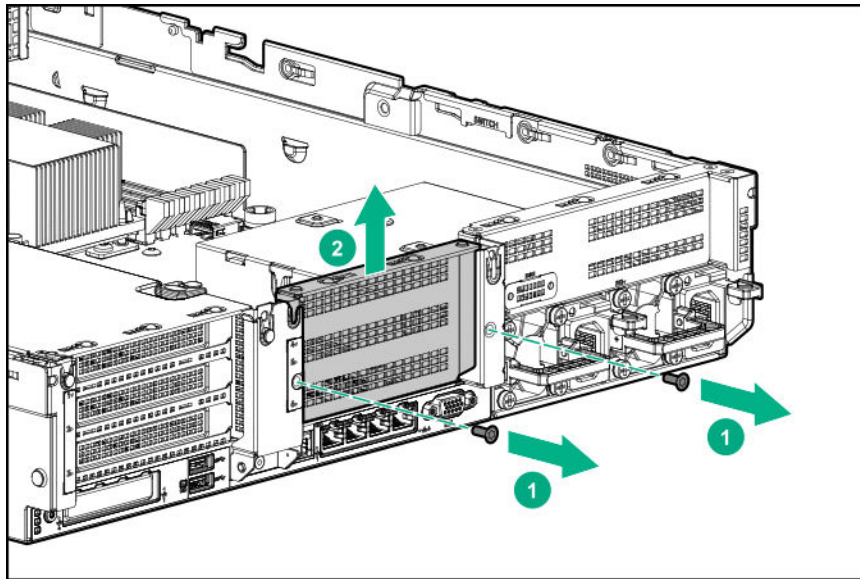


- b.** Install the appropriate retention clip onto the air baffle.  
Install the clip that supports your configuration. Primary, secondary, and tertiary positions are shown.



- 8.** **Install high-performance heatsinks.**
- 9.** **Install the air baffle.**
- 10.** Remove the rear wall blank.  
The secondary rear wall blank is shown.

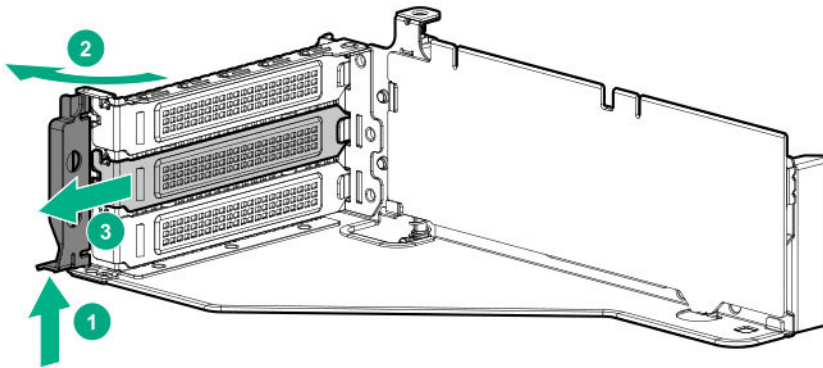




To install a card in the primary riser cage, see "[Removing a riser cage](#)".

To install a card in the tertiary riser cage, see "[Installing a tertiary riser cage](#)".

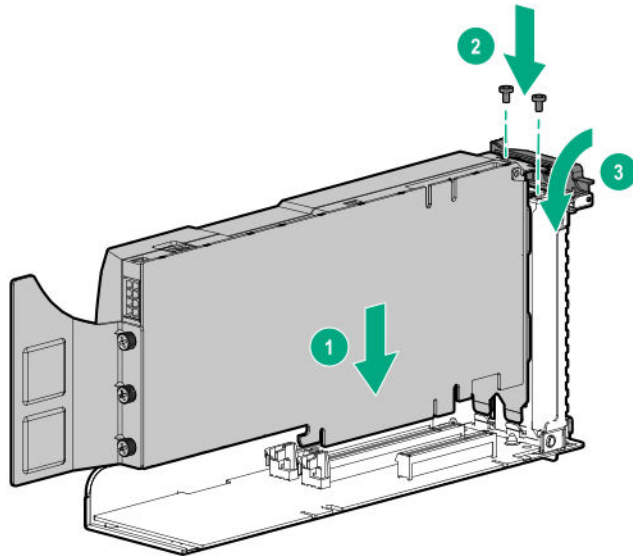
11. Remove the PCIe blank.



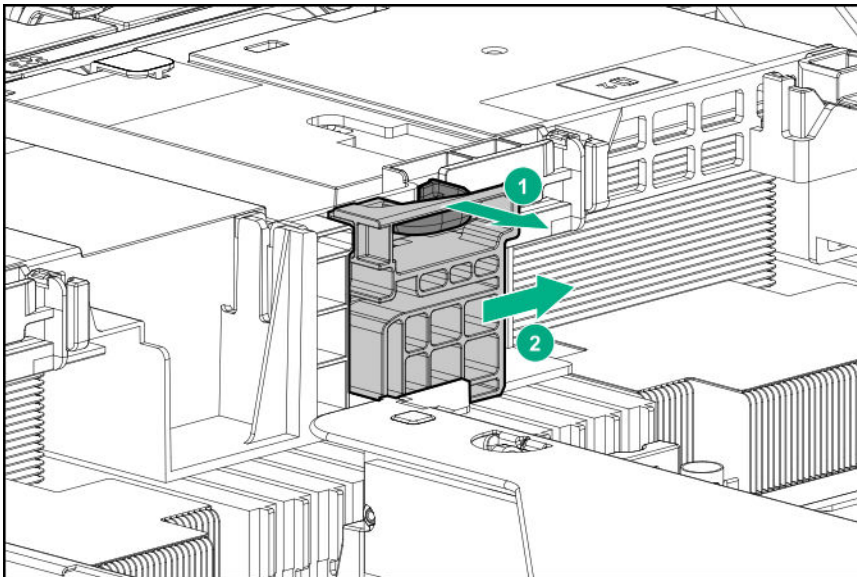
12. Install the card into the riser.





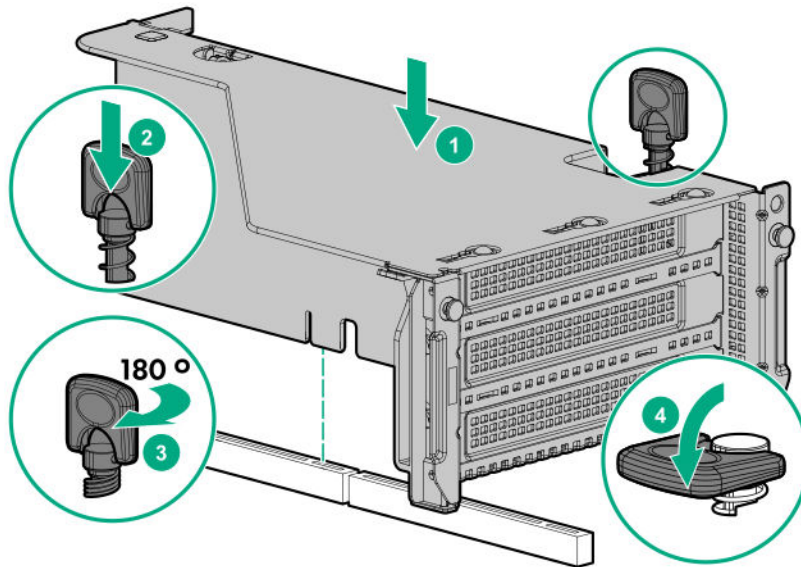


13. If required, connect the power cable from the card to the riser.
14. For full-length cards, open the retention clips.

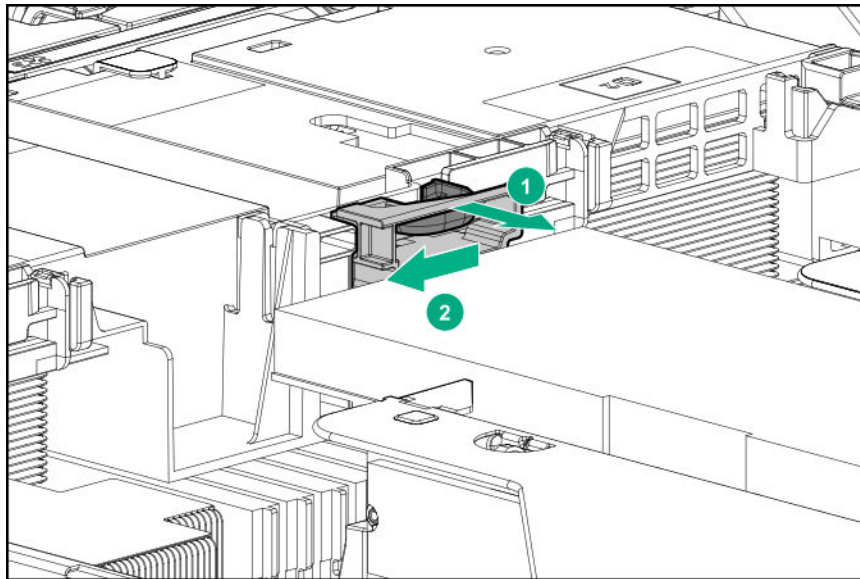


15. Install the riser cage.





16. For full-length cards, slide the retention clips to the locked position.



The installation is complete.

## Installing the Pensando DSP DSC-25 2p SFP28 card with the iLO Sideband ALOM Module

Pensando DSP iLO Sideband ALOM Module requires that the accompanying Smart I/O card (such as the Pensando DSP DSC-25 2p SFP28 card) be installed on slot 3 of the primary PCIe riser cage.

### Prerequisites

Before installing this option, be sure you have the following:

- The components included with the hardware option kit.
- T-10 Torx screwdriver.



## Procedure

1. Observe the following alerts:

- 
- ⚠ WARNING:** To reduce the risk of personal injury from hot surfaces, allow the drives and the internal system components to cool before touching them.
  - ⚠ CAUTION:** Electrostatic discharge (ESD) can damage electronic components. Be sure that you are properly grounded (earthed) before beginning any installation procedure.
  - ⚠ CAUTION:** To prevent improper cooling and thermal damage, do not operate the server unless all PCI slots have either an expansion slot cover or an expansion board installed.
- 

2. **Power down the server.**

3. Remove all power:

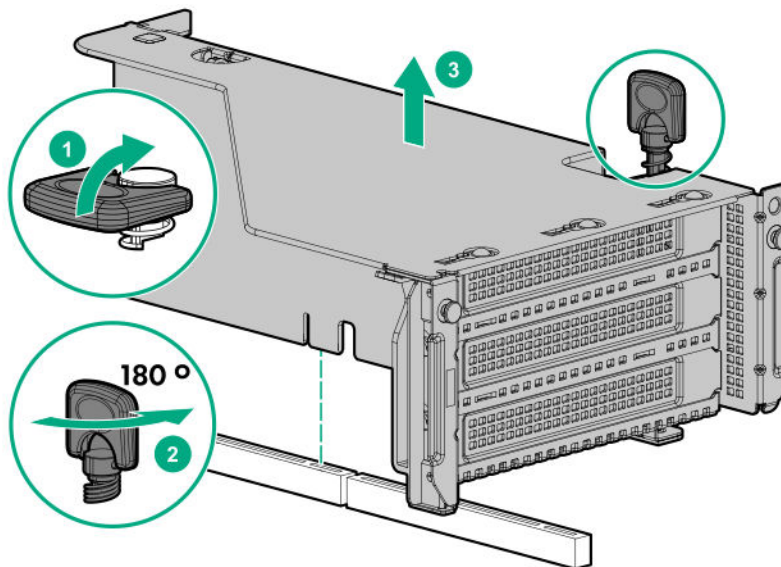
- a. Disconnect each power cord from the power source.
- b. Disconnect each power cord from the server.

4. Do one of the following:

- **Extending the server from the rack.**
- **Remove the server from the rack.**

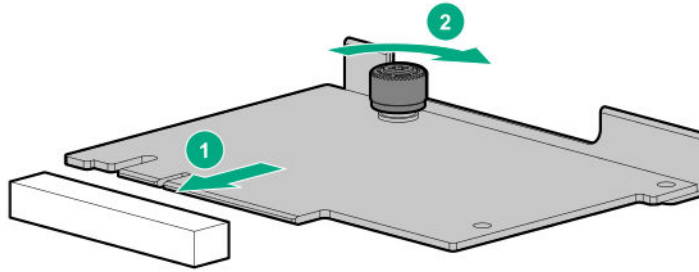
5. **Remove the access panel.**

6. Remove the primary PCIe riser cage to access the slot on the system board in which to install the ALOM module.



7. Install the Pensando DSP iLO Sideband ALOM Module into the FlexibleLOM adapter connector on the system board.



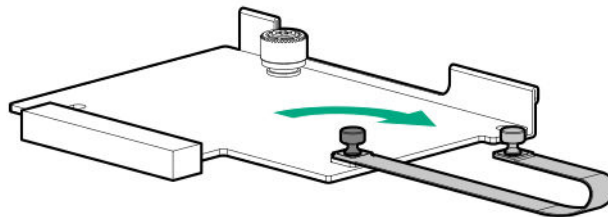


8. Remove the shipping cap from the auxiliary cable.
9. Connect the auxiliary cable to the iLO Sideband ALOM Module:
  - a. Align the connector keying posts to the ALOM module.
  - b. Secure the auxiliary cable to the ALOM module using the thumbscrew.

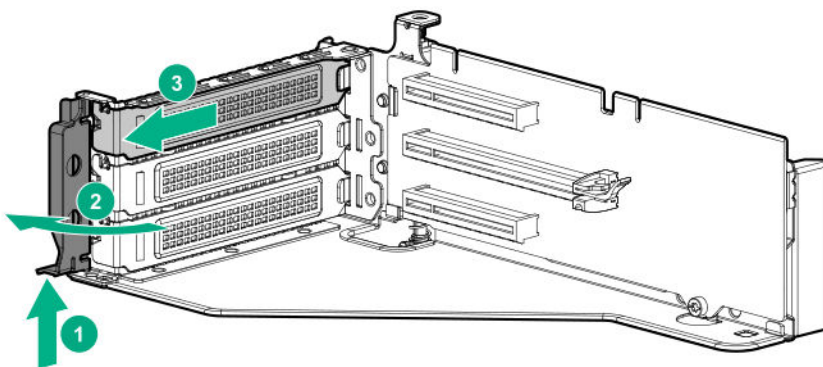
**CAUTION:** Do not over torque the screw.

**CAUTION:** Do not use a screwdriver to tighten the screw.

**CAUTION:** Do not twist the cable service loop during installation.

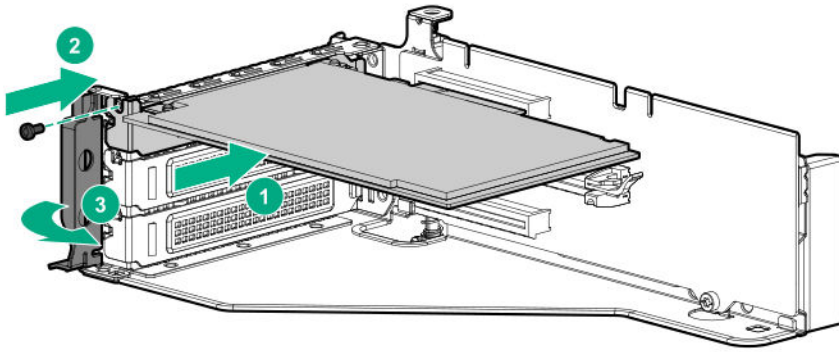


10. Remove the PCIe blank from slot 3 on the riser cage.

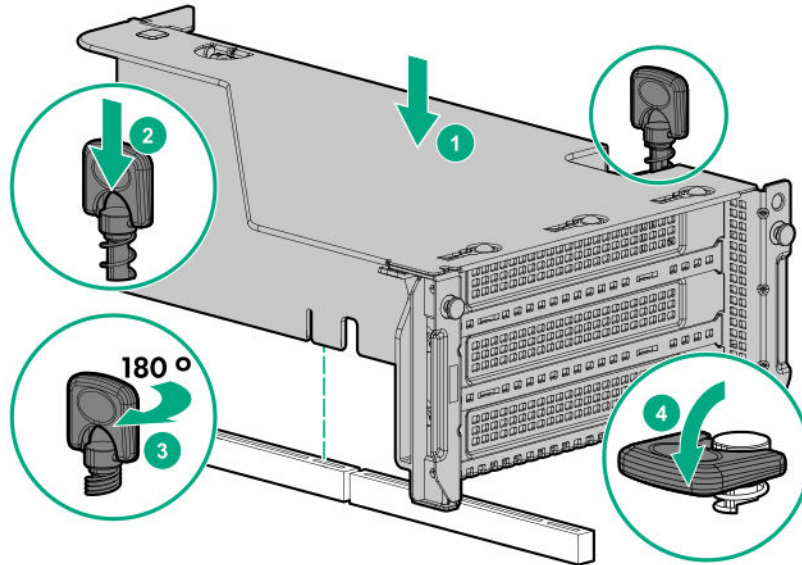


11. Install the DSC-25 card into the PCIe slot.





12. Install the PCIe riser cage into the server.



13. Apply the label that reads, "Card with cable attached. Remove riser with care" to the top of the PCIe riser cage.

**CAUTION:** Be sure not to cover any other label or perforations on the PCIe riser cage when applying the label.

14. Remove the shipping cap from the auxiliary cable.

15. Connect the auxiliary cable to the DSC-25 card:

- a. Align the connector keying posts to the DSC-25 card.
- b. Secure the auxiliary cable to the DSC-25 card using the thumbscrew.

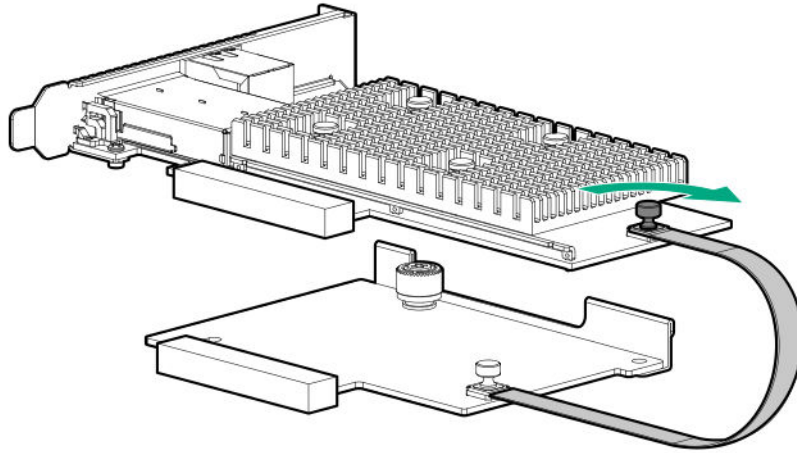
**CAUTION:** Do not over torque the screw.

**CAUTION:** Do not use a screwdriver to tighten the screw.

**CAUTION:** Do not twist the cable service loop during installation.

**NOTE:** The PCIe riser cage is not shown in this illustration for clarity purposes.





**16. Install the access panel.**

**17.** Install the server in the rack.

**18.** Connect each power cord to the server.

**19.** Connect each power cord to the power source.

**20. Power up the server.**

**21.** Admit the new DSC-25 card to the Pensando Policy and Services Manager (PSM).

For more information, see the *PSM Enterprise Edition User Guide*.

The installation is complete.

## Installing the HPE NS204i-p NVMe OS Boot Device option

### Prerequisites

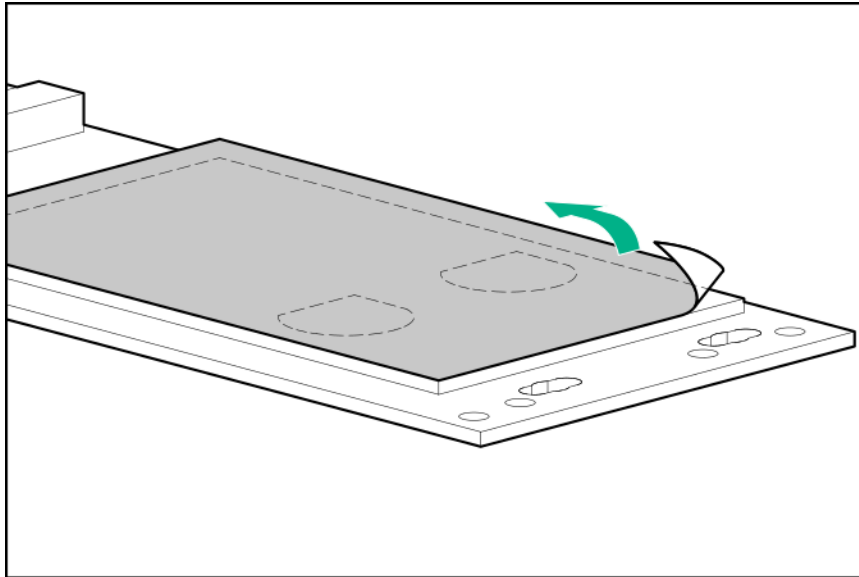
Before beginning installation, ensure that the server is updated with the latest operating system firmware and drivers.

### Procedure

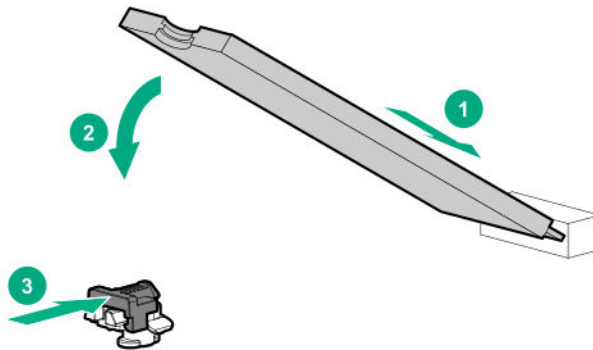
#### Installing drives onto the boot device

1. Remove the liner from the thermal interface pad.





2. Install the drives.



### Installing the boot device

3. **Power down the server.**
4. Remove all power:
  - a. Disconnect each power cord from the power source.
  - b. Disconnect each power cord from the server.
5. Do one of the following:
  - **Extending the server from the rack.**
  - **Remove the server from the rack.**

6. **Remove the access panel.**

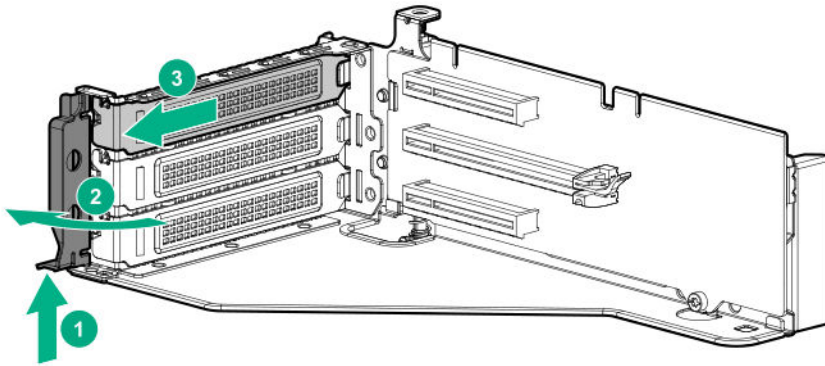


**CAUTION:** Do not operate the server for long periods with the access panel open or removed. Operating the server in this manner results in improper airflow and improper cooling that can lead to thermal damage.

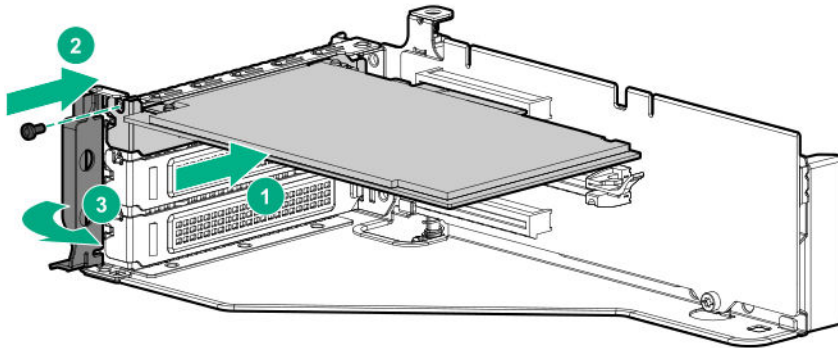
7. **Remove the riser cage.**
8. Remove the expansion slot cover from the riser cage.



The primary PCIe riser cage is shown.



9. Install the boot device in slot 3 of the primary riser.



10. Install any components that were removed to access the expansion slot.
11. Install the access panel.
12. Do one of the following:
  - Slide the server into the rack.
  - Install the server into the rack.
13. Power up the server.

#### Deploying an operating system

14. Deploy a supported operating system to the boot device drive.

For more information, see the product QuickSpecs (<https://www.hpe.com/info/qs>).

After the OS installation completes, the system automatically copies the operating system to the second, mirrored drive on the boot device.

15. Proceed with normal system setup and operation.





# Installing the chassis intrusion detection switch

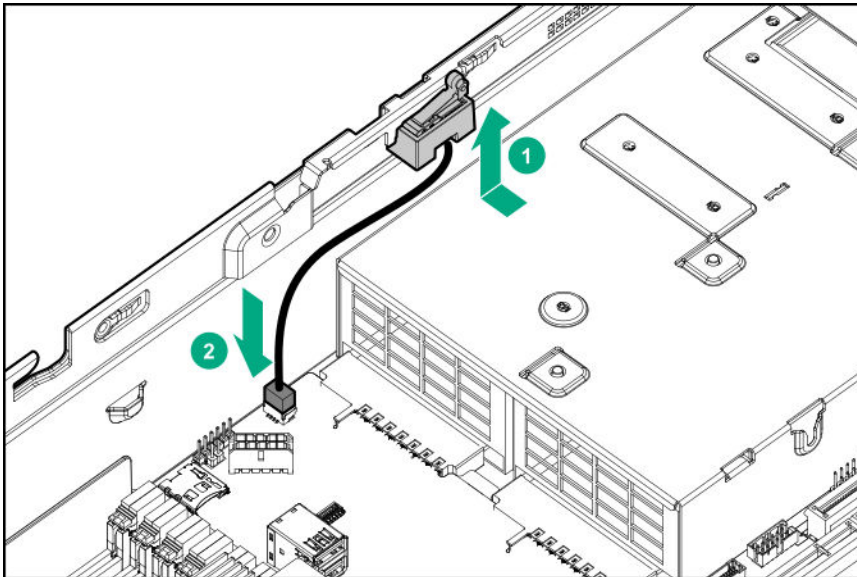
## Prerequisites

Before you perform this procedure, make sure that you have the following items available:

The components included with the hardware option kit

## Procedure

1. **Power down the server.**
2. Remove all power:
  - a. Disconnect each power cord from the power source.
  - b. Disconnect each power cord from the server.
3. Do one of the following:
  - **Extend the server from the rack.**
  - **Remove the server from the rack.**
4. **Remove the access panel.**
5. Install the chassis intrusion detection switch.



6. **Install the access panel.**
7. **Install the server into the rack.**
8. Connect each power cord to the server.
9. Connect each power cord to the power source.
10. **Power up the server.**

The installation is complete.



# Installing a rear serial port interface

If a tertiary riser cage is installed, you can install the serial port into slot 6.

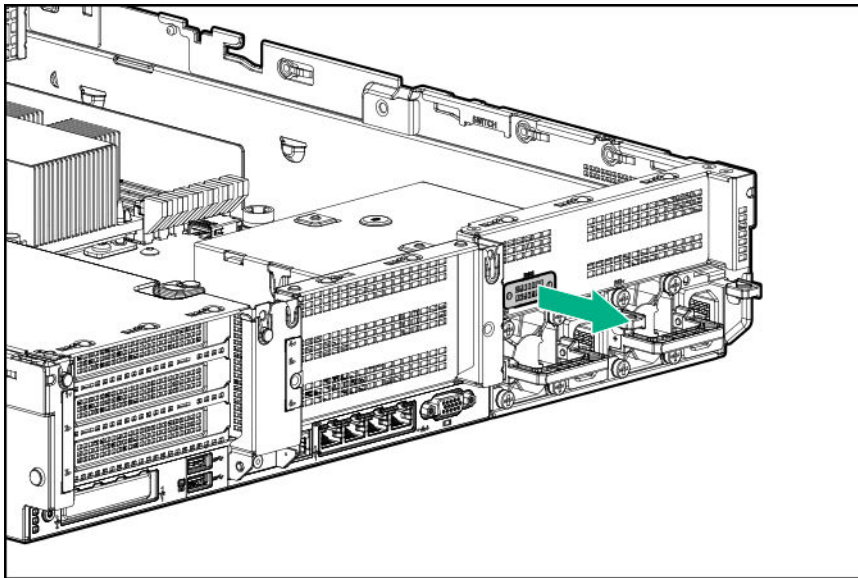
## Prerequisites

Before you perform this procedure, make sure that you have the following items available:

The components included with the hardware option kit

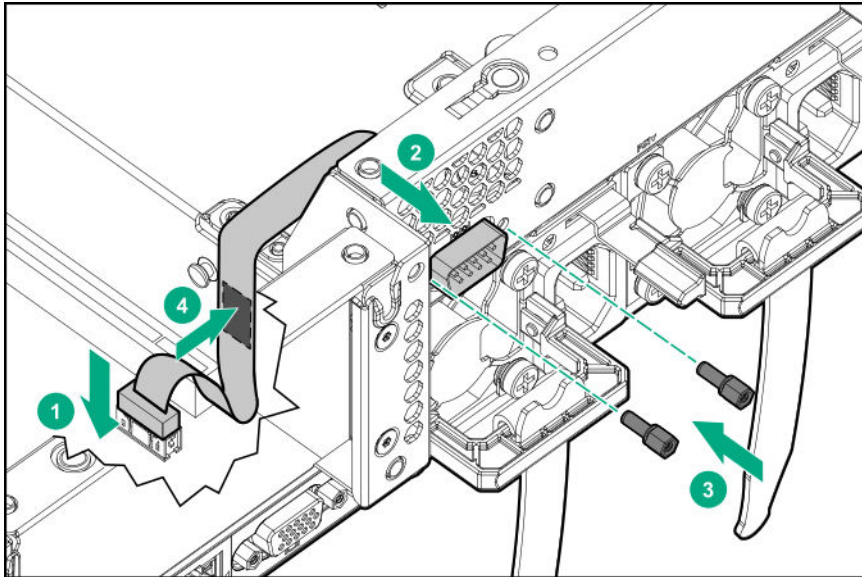
## Procedure

1. **Power down the server.**
2. Do one of the following:
  - Disconnect each power cord from the power source.
  - Disconnect each power cord from the server.
3. Do one of the following:
  - **Extend the server from the rack.**
  - **Remove the server from the rack.**
4. **Remove the access panel.**
5. If a tertiary riser cage is not installed, perform the following steps:
  - a. Remove the serial port blank.



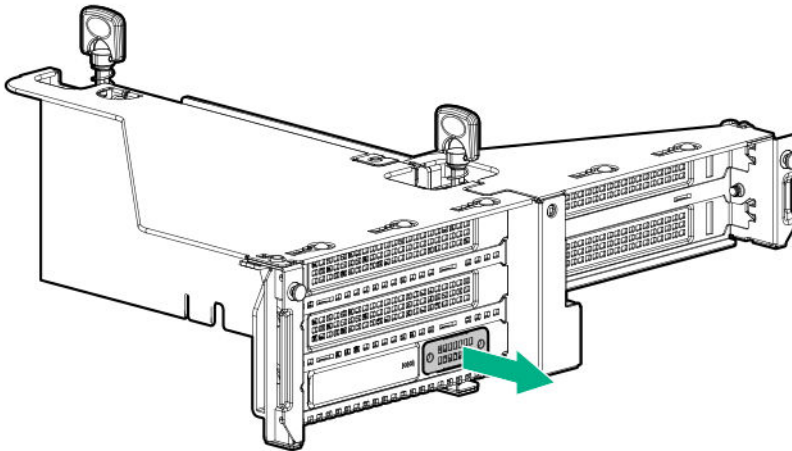
- b. Insert the serial cable through the blank port and connect it to the system board.
- c. Insert the serial port connector and fasten it to slot 6.
- d. Route the cable around the riser cage screws.
- e. Remove the double-sided backing and secure the cable to the side of the power supply cage.





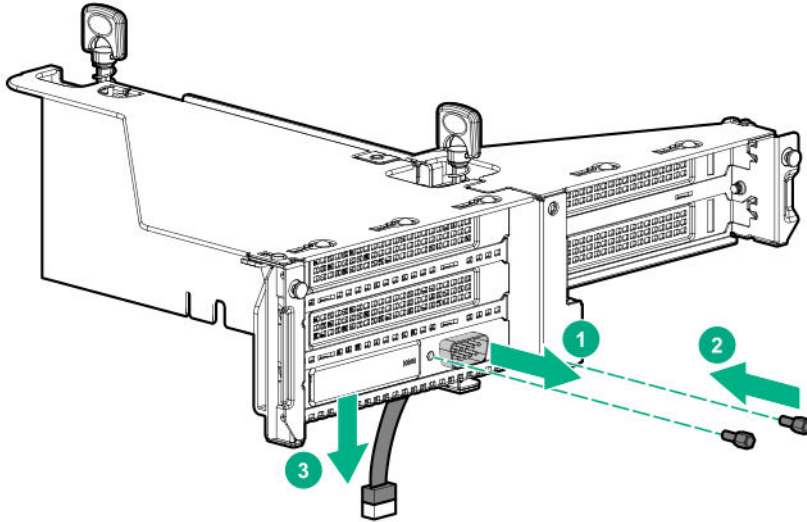
6. If a tertiary riser cage is installed, perform the following steps:

- a. Remove the riser and the blank.



- b. Install the serial port.





- 7. Install the access panel.**
8. Install the server in the rack.
9. Connect each power cord to the server.
10. Connect each power cord to the power source.
- 11. Power up the server.**

The installation is complete.

## Installing the Systems Insight Display

### Prerequisites

Before you perform this procedure, make sure that you have the following items available:

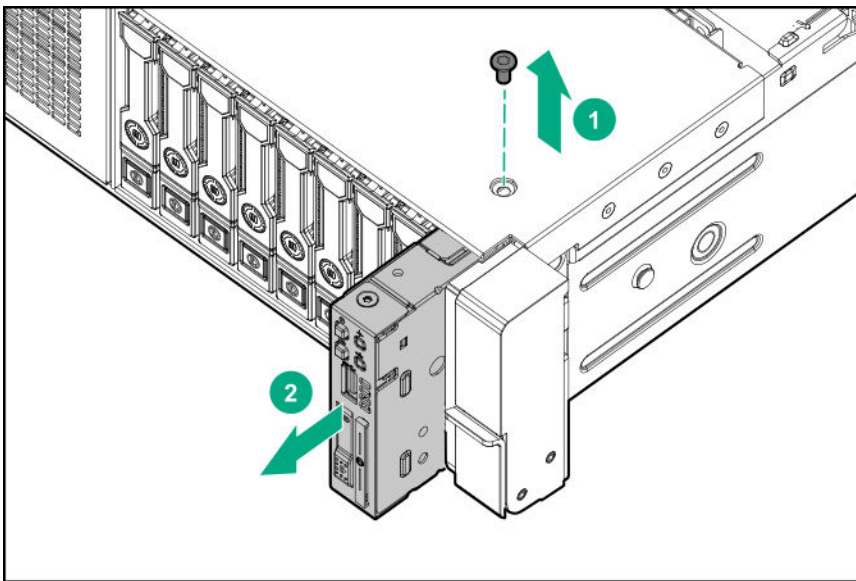
- The components included with the hardware option kit
- T-10 Torx screwdriver

### Procedure

- 1. Power down the server.**
2. Remove all power:
  - a. Disconnect each power cord from the power source.
  - b. Disconnect each power cord from the server.
3. Do one of the following:



- **Extend the server from the rack.**
  - **Remove the server from the rack.**
4. **Remove the access panel.**
  5. Do one of the following:
    - **Remove the air baffle.**
    - **If installed, remove the 4LFF midplane drive cage.**
  6. **Remove the fan cage.**
  7. Disconnect the power switch module cable from the power switch/SID module connector. The SID module cable will be connected to this same connector.
  8. Remove the power switch module. Retain the T-10 screw for later use.



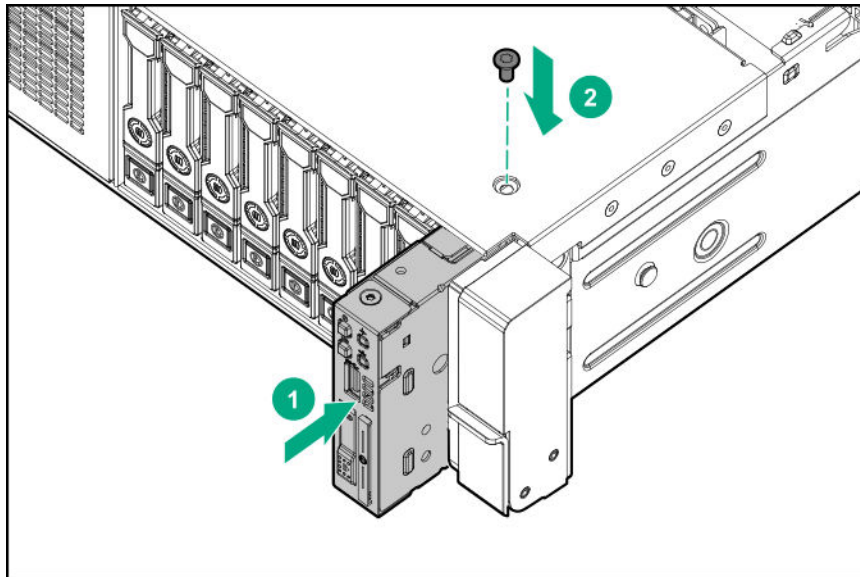
---

**⚠ CAUTION:** When routing cables, make sure that the cables are not in a position where they can be pinched or crimped.

---

9. Route the SID cable through the opening in the front of the server, and then install the SID module. Secure the module using the T-10 screw removed in step 8.





10. Connect the SID module cable to the power switch/SID module connector.
11. **Install the fan cage.**
12. Do one of the following:
  - **Install the air baffle.**
  - Perform steps 9–13 of “**Installing a midplane 4LFF SAS/SATA drive cage**”.
13. **Install the access panel.**
14. Slide the server into the rack.
15. Connect each power cord to the server.
16. Connect each power cord to the power source.
17. **Power up the server.**

The installation is complete.

## Installing a FlexibleLOM adapter

### Prerequisites

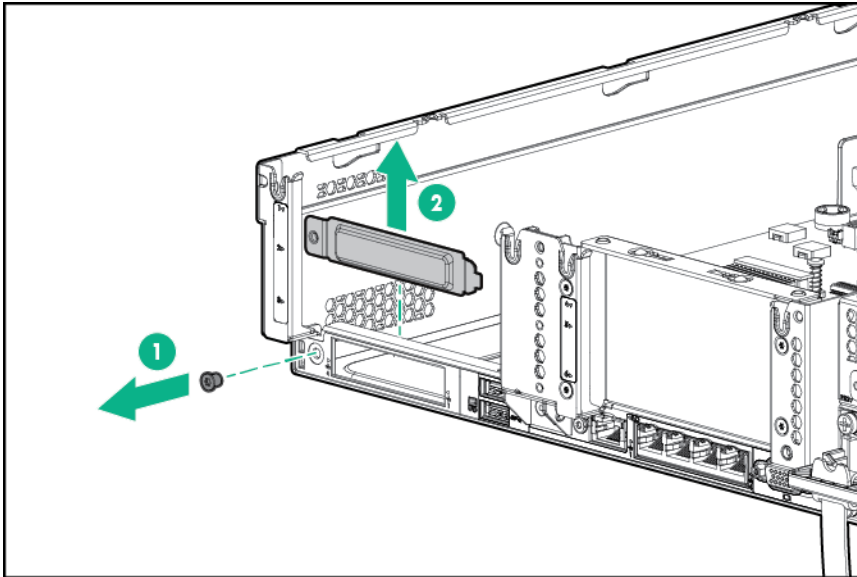
- The components included with the hardware option kit
- A T-10 Torx screwdriver might be needed to unlock the access panel.

### Procedure

1. **Power down the server.**
2. Do one of the following:

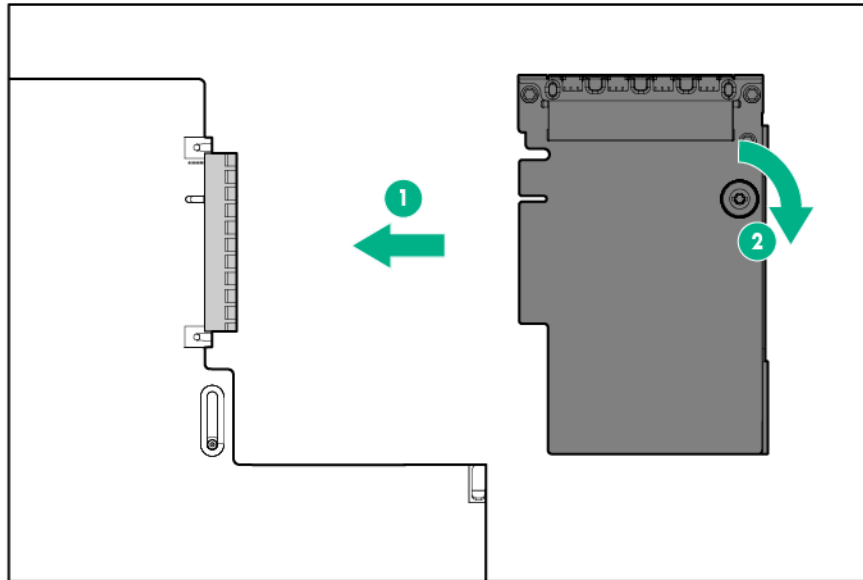


- Disconnect each power cord from the power source.
  - Disconnect each power cord from the server.
3. Do one of the following:
    - **Extend the server from the rack.**
    - **Remove the server from the rack.**
  4. **Remove the access panel.**
  5. **Remove the primary riser cage.**
  6. Remove the FlexibleLOM blank.



7. Install the FlexibleLOM adapter.





8. Install the riser cage.
9. **Install the access panel.**
10. **Install the server into the rack.**
11. Connect the LAN segment cables.
12. Connect each power cord to the server.
13. Connect each power cord to the power source.
14. **Power up the server.**

The installation is complete.

## Installing a 1U or high performance heatsink

This procedure shows a standard heatsink as an example. The installation process is the same for all heatsinks.

Hewlett Packard Enterprise recommends **identifying the processor, heatsink, and socket components** before performing this procedure.

### Prerequisites

Before you perform this procedure, make sure that you have the following items available:

- The components included with the hardware option kit
- T-30 Torx screwdriver
- Thermal grease





- Alcohol wipe
- 1/4-inch flathead screwdriver

## Procedure

1. Observe the following alerts.

---

**⚠ CAUTION:** To prevent possible server malfunction and damage to the equipment, multiprocessor configurations must contain processors with the same part number.

---

**⚠ CAUTION:** If installing a processor with a faster speed, update the system ROM before installing the processor. To download firmware and view installation instructions, see the [\*\*Hewlett Packard Enterprise Support Center website\*\*](#).

---

**⚠ CAUTION: THE CONTACTS ARE VERY FRAGILE AND EASILY DAMAGED.** To avoid damage to the socket or processor, do not touch the contacts.

---

2. **Power down the server.**

3. Remove all power:

- a. Disconnect each power cord from the power source.
- b. Disconnect each power cord from the server.

4. Do one of the following:

- **Extend the server from the rack.**
- **Remove the server from the rack.**

5. **Remove the access panel.**

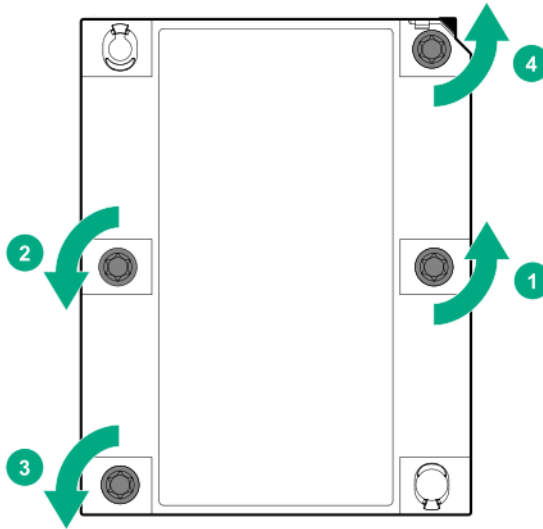
6. Do one of the following:

- **Remove the air baffle.**
- **If installed, remove the 4LFF midplane drive cage.**

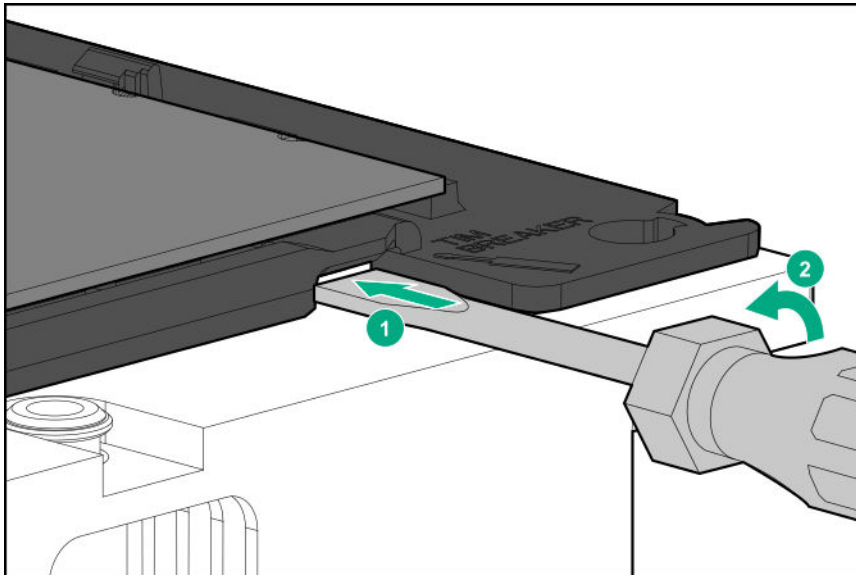
7. Remove the processor heatsink assembly:

- a. Allow the heatsink to cool.
- b. Loosen the heatsink nuts in the order specified by the label on the heatsink.





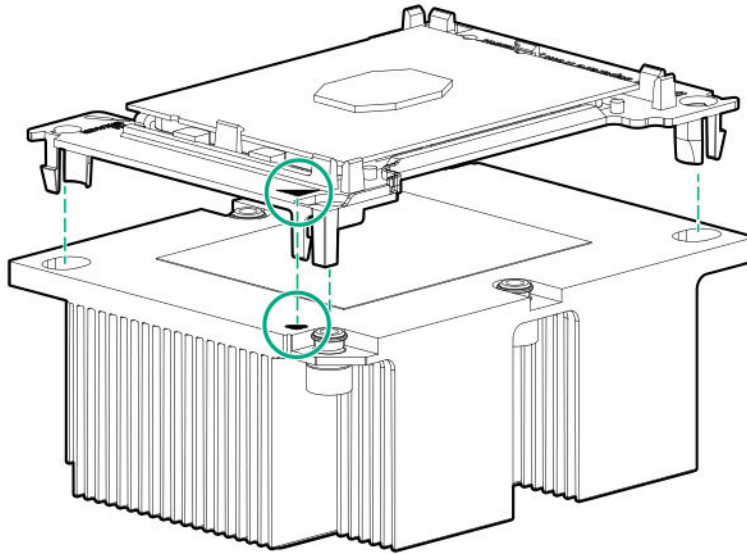
- c. Lift the processor heatsink assembly and move it away from the system board.
  - d. Turn the assembly over and place it on a work surface with the processor facing up.
  - e. Install the dust cover.
8. Separate the processor from the heatsink:
- a. Locate the release slot between the frame and heatsink.  
The release slot is across from the Pin 1 indicator and is labeled with a screwdriver.
  - b. Insert a 1/4" flathead screwdriver into the release slot.  
Be sure that the screwdriver is between the plastic frame and the heatsink.
  - c. To lift the processor frame away from the heatsink, slowly rotate the screwdriver.



- d. Unlatch the remaining corners of the frame.
- e. Separate the frame from the heatsink.



9. Using an alcohol wipe, remove the existing thermal grease.  
Allow solvent to dry before making contact with thermal grease.
10. Align the latches and pin 1 indicator, and then install the frame to the heatsink.  
Verify that all of the latches are engaged with the heatsink.



**11. Install the processor heatsink assembly.**

The installation is complete.

## Installing a processor

Observe the following:

- Before performing this procedure, HPE recommends identifying the **processor, heatsink, and socket components**.
- Intelligent System Tuning supports specific processors and configurations. For more information, see the product QuickSpecs on the **HPE website**.

---

**!** **IMPORTANT:** Existing HPE ProLiant and HPE Synergy Gen10 server products containing first-generation Intel Xeon Scalable processors may not be upgraded to second-generation Intel Xeon Scalable processors at this time.

For more information, see the product QuickSpecs on the Hewlett Packard Enterprise website (<https://www.hpe.com/info/qs>).

---

### Prerequisites

Before you perform this procedure, make sure that you have the following items available:

- The components included with the hardware option kit
- T-30 Torx screwdriver

### Procedure

1. Observe the following alerts.



---

**⚠ CAUTION:** When handling the heatsink, always hold it along the top and bottom of the fins. Holding it from the sides can damage the fins.

---

**⚠ CAUTION:** To avoid damage to the processor or system board, only authorized personnel should attempt to replace or install the processor in this server.

---

**⚠ CAUTION:** To prevent possible server malfunction and damage to the equipment, multiprocessor configurations must contain processors with the same part number.

---

**⚠ CAUTION:** If installing a processor with a faster speed, update the system ROM before installing the processor. To download firmware and view installation instructions, see the [\*\*Hewlett Packard Enterprise Support Center website\*\*](#).

---

**⚠ CAUTION: THE CONTACTS ARE VERY FRAGILE AND EASILY DAMAGED.** To avoid damage to the socket or processor, do not touch the contacts.

---

**2. Power down the server.**

**3. Remove all power:**

- a.** Disconnect each power cord from the power source.
- b.** Disconnect each power cord from the server.

**4. Do one of the following:**

- **Extend the server from the rack.**
- **Remove the server from the rack.**

**5. Remove the access panel.**

**6. Do one of the following:**

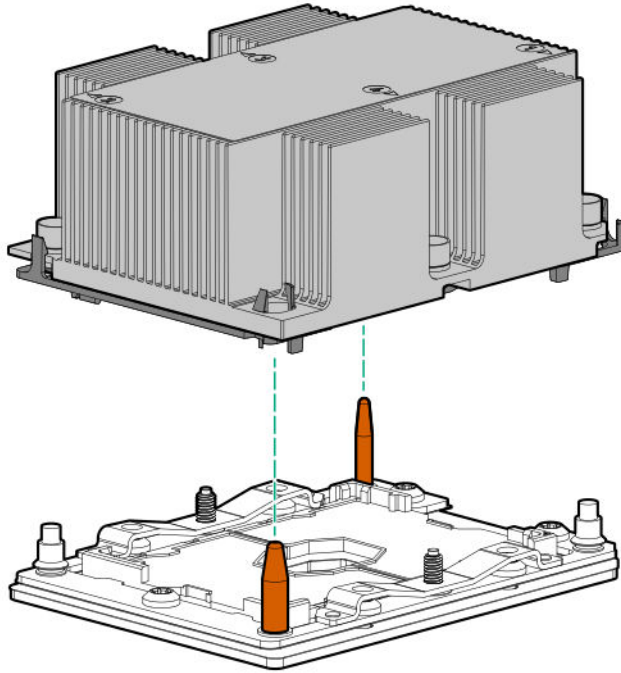
- **Remove the air baffle.**
- **If installed, remove the 4LFF midplane drive cage.**

**7. Install the processor heatsink assembly:**

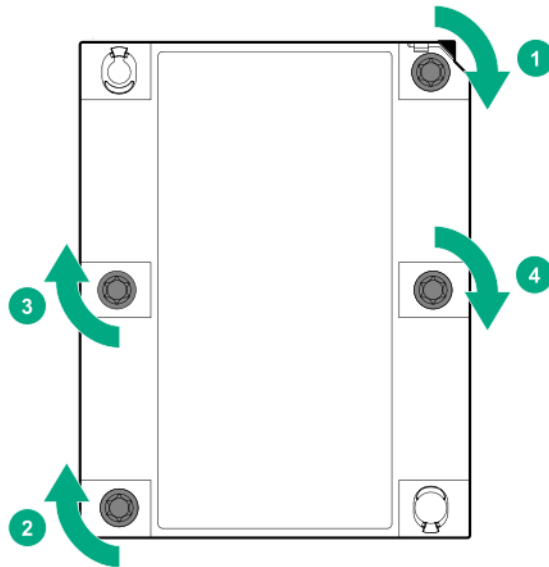
- a.** Remove the dust cover.
- b.** Locate the Pin 1 indicator on the processor frame and the socket.
- c.** Align the processor heatsink assembly with the alignment posts and gently lower it down until it sits evenly on the socket.

The heatsink alignment posts are keyed. The processor will only install one way.

A standard heatsink is shown. Your heatsink might look different.



- d. Using a T-30 Torx screwdriver, tighten the nuts until they stop.



The installation is complete.

## HPE Trusted Platform Module 2.0 Gen10 option

### Overview

Use these instructions to install and enable an HPE TPM 2.0 Gen10 Kit in a supported server. This option is not supported on a Gen9 and earlier server.

This procedure includes three sections:



1. Installing the Trusted Platform Module board.
2. Enabling the Trusted Platform Module.
3. Retaining the recovery key/password.

HPE TPM 2.0 installation is supported with specific operating system support such as Microsoft Windows Server 2012 R2 and later. For more information about operating system support, see the product QuickSpecs on the Hewlett Packard Enterprise website (<https://www.hpe.com/info/qs>). For more information about Microsoft Windows BitLocker Drive Encryption feature, see the Microsoft website (<https://www.microsoft.com>).

---

**CAUTION:** If the TPM is removed from the original server and powered up on a different server, data stored in the TPM including keys will be erased.

---

**IMPORTANT:** In UEFI Boot Mode, the HPE TPM 2.0 Gen10 Kit can be configured to operate as TPM 2.0 (default) or TPM 1.2 on a supported server. In Legacy Boot Mode, the configuration can be changed between TPM 1.2 and TPM 2.0, but only TPM 1.2 operation is supported.

---

## HPE Trusted Platform Module 2.0 Guidelines

---

**CAUTION:** Always observe the guidelines in this document. Failure to follow these guidelines can cause hardware damage or halt data access.

---

When installing or replacing a TPM, observe the following guidelines:

- Do not remove an installed TPM. Once installed, the TPM is bound to the system board. If an OS is configured to use the TPM and it is removed, the OS may go into recovery mode, data loss can occur, or both.
- When installing or replacing hardware, Hewlett Packard Enterprise service providers cannot enable the TPM or the encryption technology. For security reasons, only the customer can enable these features.
- When returning a system board for service replacement, do not remove the TPM from the system board. When requested, Hewlett Packard Enterprise Service provides a TPM with the spare system board.
- Any attempt to remove the cover of an installed TPM from the system board can damage the TPM cover, the TPM, and the system board.
- If the TPM is removed from the original server and powered up on a different server, data stored in the TPM including keys will be erased.
- When using BitLocker, always retain the recovery key/password. The recovery key/password is required to complete Recovery Mode after BitLocker detects a possible compromise of system integrity or system configuration.
- Hewlett Packard Enterprise is not liable for blocked data access caused by improper TPM use. For operating instructions, see the TPM documentation or the encryption technology feature documentation provided by the operating system.

## Installing and enabling the HPE TPM 2.0 Gen10 option

### Installing the Trusted Platform Module board

#### Preparing the server for installation

##### Procedure

1. Observe the following warnings:



**WARNING:** The front panel Power On/Standby button does not shut off system power. Portions of the power supply and some internal circuitry remain active until AC power is removed.

To reduce the risk of personal injury, electric shock, or damage to the equipment, remove power from the server:

- For rack and tower servers, remove the power cord.
  - For server blades and compute modules, remove the server blade or compute module from the enclosure.
- 



**WARNING:** To reduce the risk of personal injury from hot surfaces, allow the drives and the internal system components to cool before touching them.

---

**2.** Update the system ROM.

Locate and download the latest ROM version from the [Hewlett Packard Enterprise Support Center website](#). Follow the instructions on the website to update the system ROM.

**3.** Power down the server (**Power down the server**).

**4.** Remove all power:

- a. Disconnect each power cord from the power source.
- b. Disconnect each power cord from the server.

**5.** Do one of the following:

- Extend the server from the rack.
- Remove the server from the rack.

**6.** Place the server on a flat, level work surface.

**7.** **Remove the access panel.**

**8.** Do one of the following:

- **Remove the air baffle.**
- **If installed, remove the 4LFF midplane drive cage.**

**9.** Remove any components or cables that may prevent access to the TPM connector.

**10.** Proceed to **Installing the TPM board and cover**.

## Installing the TPM board and cover

### Procedure

**1.** Observe the following alerts:



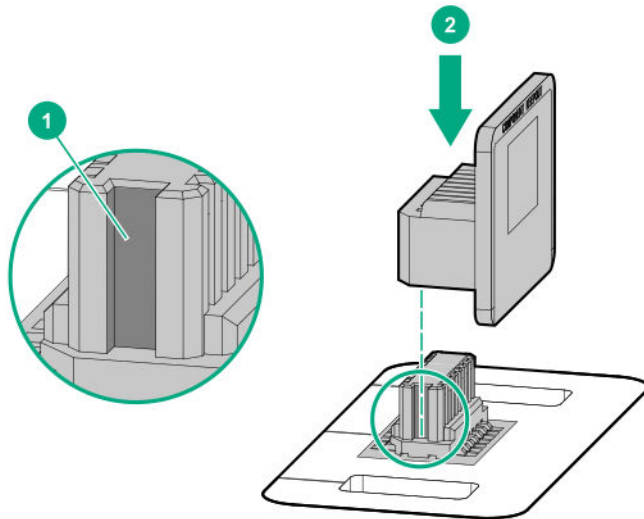
**CAUTION:** If the TPM is removed from the original server and powered up on a different server, data stored in the TPM including keys will be erased.

---

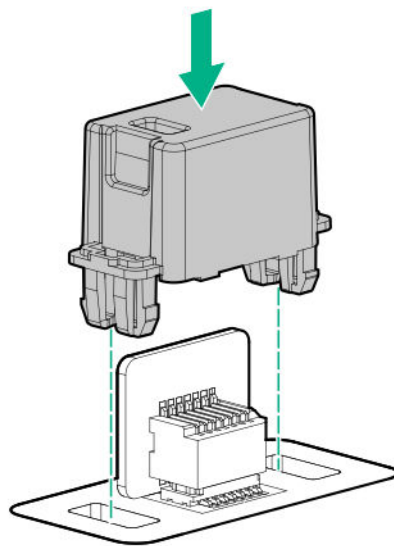


**CAUTION:** The TPM is keyed to install only in the orientation shown. Any attempt to install the TPM in a different orientation might result in damage to the TPM or system board.

- Align the TPM board with the key on the connector, and then install the TPM board. To seat the board, press the TPM board firmly into the connector. To locate the TPM connector on the system board, see the server label on the access panel.



- Install the TPM cover:
  - Line up the tabs on the cover with the openings on either side of the TPM connector.
  - To snap the cover into place, firmly press straight down on the middle of the cover.



- Proceed to **Preparing the server for operation**.





## Preparing the server for operation

### Procedure

1. Install any options or cables previously removed to access the TPM connector.
2. Do one of the following:
  - **Install the air baffle.**
  - **Install the 4LFF midplane drive cage.**
3. **Install the access panel.**
4. Install the server in the rack.
5. Connect power cords to the server.
6. Press the Power On/Standby button.

## Enabling the Trusted Platform Module

When enabling the Trusted Platform module, observe the following guidelines:

- By default, the Trusted Platform Module is enabled as TPM 2.0 when the server is powered on after installing it.
- In UEFI Boot Mode, the Trusted Platform Module can be configured to operate as TPM 2.0 (default) or TPM 1.2.
- In Legacy Boot Mode, the Trusted Platform Module configuration can be changed between TPM 1.2 and TPM 2.0 (default), but only TPM 1.2 operation is supported.

## Enabling the Trusted Platform Module as TPM 2.0

### Procedure

1. During the server startup sequence, press the **F9** key to access **System Utilities**.
2. From the System Utilities screen, select **System Configuration > BIOS/Platform Configuration (RBSU) > Server Security > Trusted Platform Module options**.
3. Verify the following:
  - "Current TPM Type" is set to **TPM 2.0**.
  - "Current TPM State" is set to **Present and Enabled**.
  - "TPM Visibility" is set to **Visible**.
4. If changes were made in the previous step, press the **F10** key to save your selection.
5. If **F10** was pressed in the previous step, do one of the following:
  - If in graphical mode, click **Yes**.
  - If in text mode, press the **Y** key.
6. Press the **ESC** key to exit System Utilities.
7. If changes were made and saved, the server prompts for reboot request. Press the **Enter** key to confirm reboot.



If the following actions were performed, the server reboots a second time without user input. During this reboot, the TPM setting becomes effective.

- Changing from TPM 1.2 and TPM 2.0
- Changing TPM bus from FIFO to CRB
- Enabling or disabling TPM
- Clearing the TPM

**8.** Enable TPM functionality in the OS, such as Microsoft Windows BitLocker or measured boot.

For more information, see the [Microsoft website](#).

## Enabling the Trusted Platform Module as TPM 1.2

### Procedure

- 1.** During the server startup sequence, press the **F9** key to access **System Utilities**.
- 2.** From the System Utilities screen select **System Configuration > BIOS/Platform Configuration (RBSU) > Server Security > Trusted Platform Module options**.
- 3.** Change the "TPM Mode Switch Operation" to **TPM 1.2**.
- 4.** Verify that "TPM Visibility" is set to **Visible**.
- 5.** Press the **F10** key to save your selection.
- 6.** When prompted to save the change in System Utilities, do one of the following:
  - If in graphical mode, click **Yes**.
  - If in text mode, press the **Y** key.
- 7.** Press the **ESC** key to exit System Utilities.

The server reboots a second time without user input. During this reboot, the TPM setting becomes effective.

**8.** Enable TPM functionality in the OS, such as Microsoft Windows BitLocker or measured boot.

For more information, see the [Microsoft website](#).

## Retaining the BitLocker recovery key/password

The recovery key/password is generated during BitLocker setup, and can be saved and printed after BitLocker is enabled. When using BitLocker, always retain the recovery key/password. The recovery key/password is required to enter Recovery Mode after BitLocker detects a possible compromise of system integrity.

To help ensure maximum security, observe the following guidelines when retaining the recovery key/password:

- Always store the recovery key/password in multiple locations.
- Always store copies of the recovery key/password away from the server.
- Do not save the recovery key/password on the encrypted hard drive.



# Cabling

## HPE ProLiant Gen10 DL Servers Storage Cabling Guidelines

When installing cables, observe the following:

- All ports are labeled:
  - System board ports
  - Controller ports
  - 12G SAS Expander ports
- Most data cables have labels near each connector with destination port information.
- Some data cables are pre-bent. Do not unbend or manipulate the cables.
- Before connecting a cable to a port, lay the cable in place to verify the length of the cable.
- When routing cables from the front to the rear of the server, use the cable channels on either side of the chassis.

## Cabling diagrams

Use the following tables to find cabling information and diagrams.

**Table 3: SAS/SATA kits**

Option kit	Cable part number*	From	To	Power cable part number
Front 2SFF SAS/SATA drive cage (SFF)	<a href="#"><u>869826-001</u></a> <sup>1</sup>	Drive backplane	System board	869810-001 <sup>6</sup>
			SAS Expander	869825-001 <sup>6</sup>
			Controller	
Front 2SFF SAS/SATA 1U drive cage (LFF)	<a href="#"><u>869826-001</u></a> <sup>1</sup>	Drive backplane	System board	869810-001 <sup>6</sup>
			SAS Expander	
			Controller	
Front 8SFF SAS/SATA drive cages	<a href="#"><u>776402-001</u></a> <sup>4</sup>	Drive backplane	System board	869825-001 <sup>6</sup>
			SAS Expander	
			Controller	

*Table Continued*



Option kit	Cable part number*	From	To	Power cable part number
Front 4LFF SAS/SATA drive cages	869827-001 <sup>1</sup>	Drive backplane	System board SAS Expander Controller	869825-001 <sup>6</sup>
Mid 4LFF SAS/SATA drive cage	<b><u>869824-001</u></b> <sup>2</sup>	Drive backplane	System board SAS Expander Controller	869810-001 <sup>6</sup>
Rear 2SFF SAS/SATA riser drive cage	<b><u>869823-001</u></b> <sup>3</sup>	Drive backplane	System board SAS Expander Controller	869806-001 <sup>6</sup>
Rear 3LFF SAS/SATA drive cage	<b><u>869823-001</u></b> <sup>3</sup>	Drive backplane	System board SAS Expander Controller	869810-001 <sup>6</sup>
12G SAS Expander card	<b><u>869802-001</u></b> <sup>5</sup> <b><u>869803-001</u></b> <sup>5</sup>	SAS Expander	Controller	-
SAS/SATA 3-position cable	<b><u>869830-001</u></b> <sup>3</sup> <b><u>869816-001</u></b> <sup>3</sup>	Drive backplane	System board	-

\* To order spare cables, use the following kits and spare part numbers.

<sup>1</sup> Mini SAS LFF Kit (875090-001)

<sup>2</sup> 12G SAS Expander Kit (875094-001)

<sup>3</sup> Mini SAS SFF Kit (875089-001)

<sup>4</sup> SAS 8SFF Kit (784629-001)

<sup>5</sup> 12G SAS Expander to controller kit (875093-001)

<sup>6</sup> Power cables kit (875096-001)

**Table 4: NVMe bay/riser kits**

Option kit	Cable part number	From	To	Power cable part number
Front 2SFF NVMe drive cage	<b><u>NVMe cable included with NVMe riser</u></b>	Drive backplane	Tertiary riser	869810-001 <sup>3</sup>
Front 8SFF SAS/SATA/NVMe Premium for SFF	776402-001 <b><u>NVMe cable included with NVMe riser</u></b>	Drive backplane	SATA to Systemboard, controller, or SAS expander  Tertiary riser	869825-001 <sup>3</sup>
Front 8SFF NVMe drive cage	<b><u>NVMe cable included with NVMe riser</u></b>	Drive backplane	Primary riser	869825-001 <sup>3</sup>
4-Port Slim SAS Riser, Secondary PCIe	<b><u>869814-001</u></b> <sup>1</sup> <b><u>869813-001</u></b> <sup>1</sup>	PCIe riser	Backplane	-
2-Port Slim SAS Riser, Tertiary PCIe	<b><u>869812-001</u></b> <sup>1</sup> <b><u>869812-001</u></b> <sup>1</sup>	PCIe riser	Backplane	-
4-Port Slim SAS Riser	<b><u>869811-001</u></b> <b><u>776402-001</u></b>	PCIe riser	Backplane	-
Gen10 1-Port Slim SAS Riser	<b><u>869812-001</u></b> <sup>1</sup>	PCIe riser	Backplane	-

<sup>1</sup> NVMe Direct Attach Kit (875092-001)<sup>2</sup> NVMe SFF Riser Kit (875091-001)<sup>3</sup> Power cables kit (875096-001)**Table 5: GPU power**

Option kit	Cable part number	From	To
HPE GPU 6px6p Y-Power Cable Kit	873193-001 <sup>1</sup>	GPU	Riser
HPE GPU 8px6p Y-Power Cable Kit	869805-001 <sup>1</sup>	GPU	Riser
HPE GPU 8p Keyed GPU Cable Kit	869820-001 <sup>1</sup>	GPU	Riser
HPE GPU 8p Cable Kit	869821-001 <sup>1</sup>	GPU	Riser
HPE GPU power adapter	869828-001 <sup>1</sup>	GPU	System board

<sup>1</sup> GPU cables kit (875097-001)

**Table 6: Data kits**

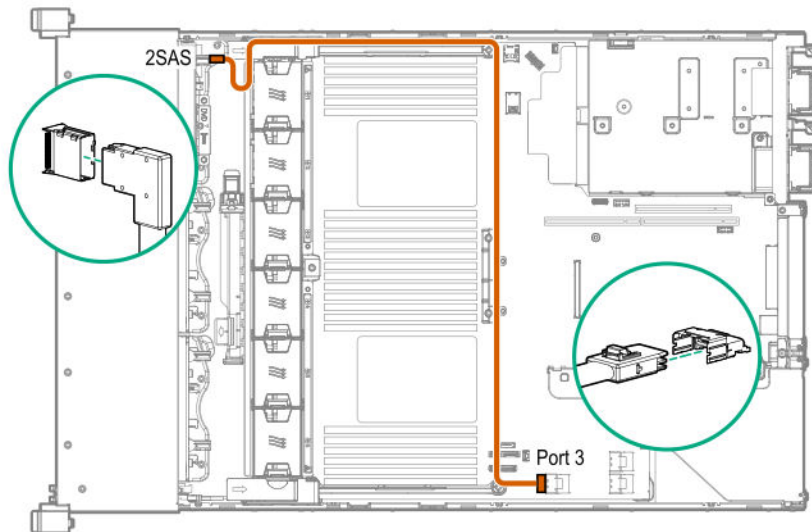
Option kit	Cable part number	From	To
Front USB/display port (SFF UMB)	869804-001 <sup>1</sup>	Component	System board
Front USB port (SFF UMB)	869829-001 <sup>1</sup>	Component	System board
Front display port (LFF)	869808-001 <sup>1</sup>	Component	System board
Optical disk drive	756914-001 <sup>2</sup>	Component	System board
<b>Systems Insight Display</b>	Included with component	Component	System board

<sup>1</sup> Data cables kit (875095-001)

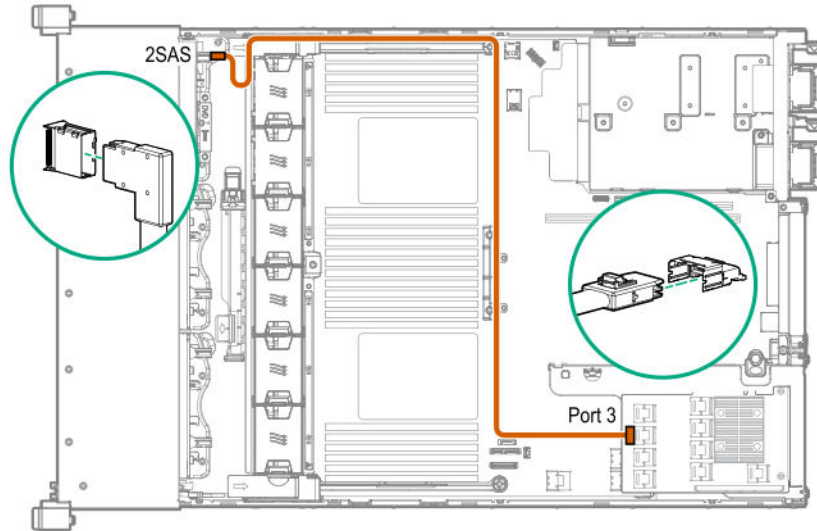
<sup>2</sup> DVD cable kit (784623-001)

### Cable routing: Front 2SFF drive option for SFF

#### Option 1: System board



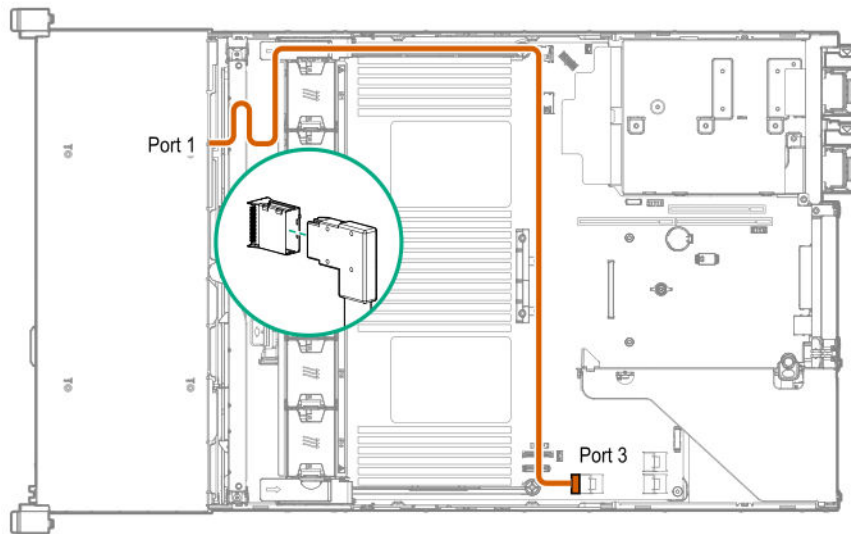
**Option 2: SAS Expander**



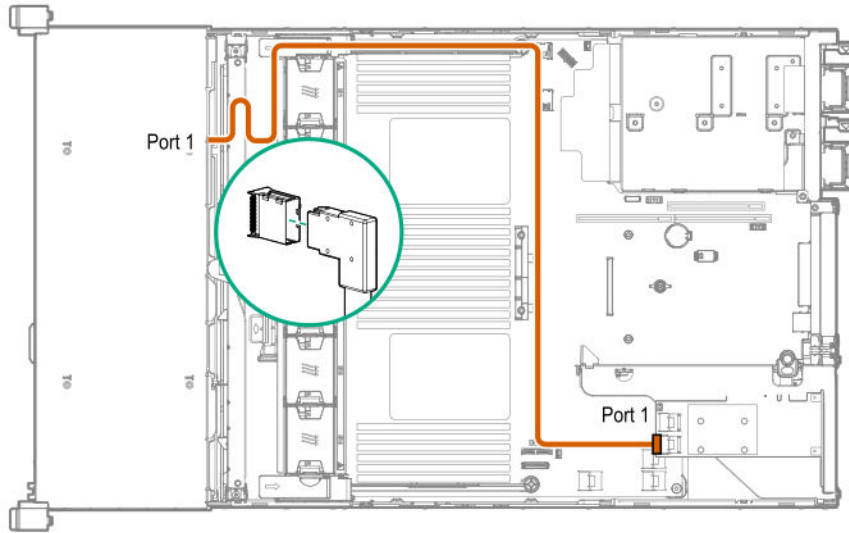
**Option 3 (not shown): A controller**

**Cable routing: Front 2SFF drive option for LFF**

**Option 1: System board**



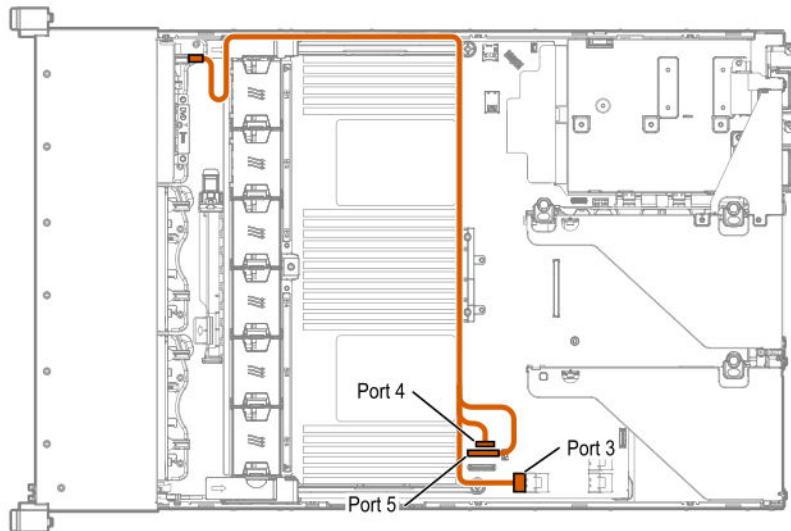
**Option 2: Controller**



Option 3 (not shown): SAS Expander

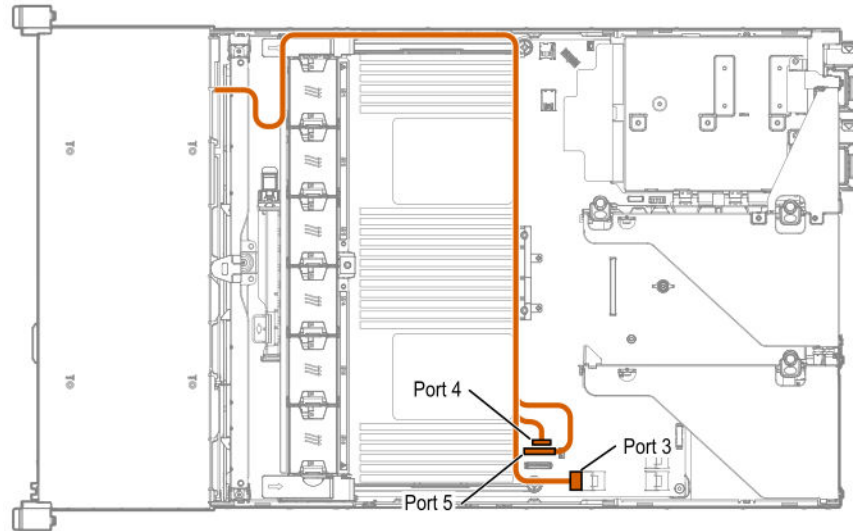
**Cable routing: Front 2SFF drive options (3 position cable)**

**SFF models**

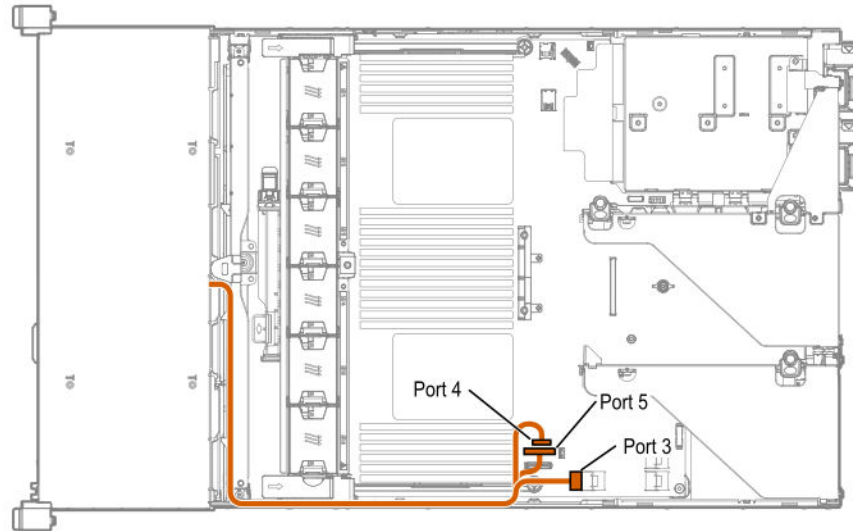




## LFF models



**Figure 2: Front 4LFF drive cage 1 (2SFF option)**



**Figure 3: Front 4LFF drive cage 1**

---

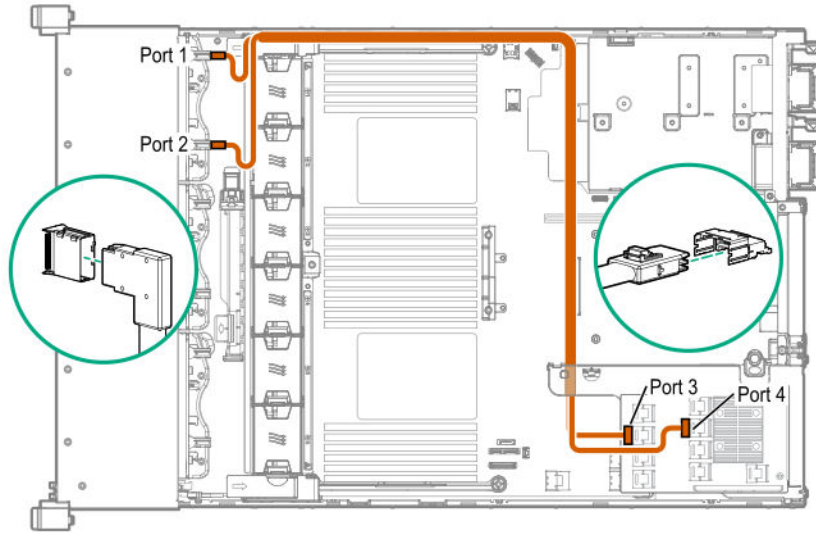
**NOTE:** The HPEProLiant DL380 Gen10 Mini-SAS 3-position cable kit (P/N 826709-B21) is required to support the 11th and 12th embedded SATA ports for 12LFF configurations.

---

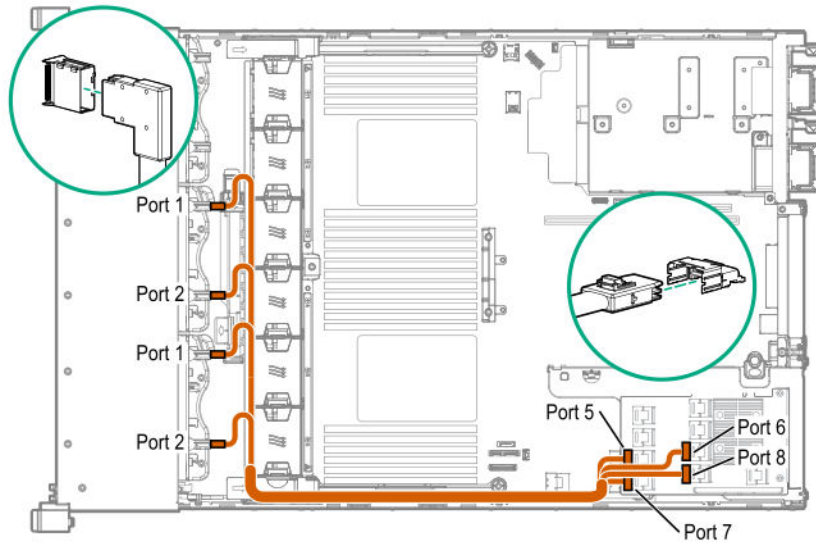
## Cable routing: Front 8SFF drive options



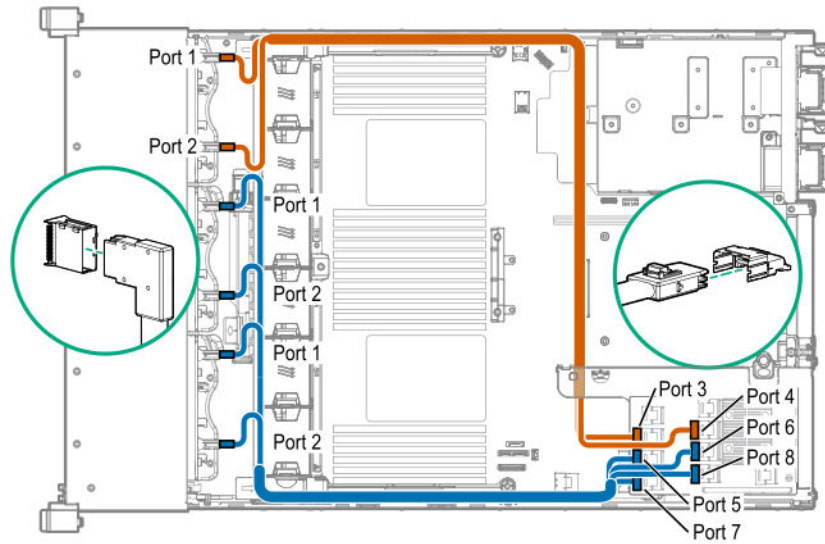
**Box 1 to SAS Expander**



**Box 2 to SAS Expander**

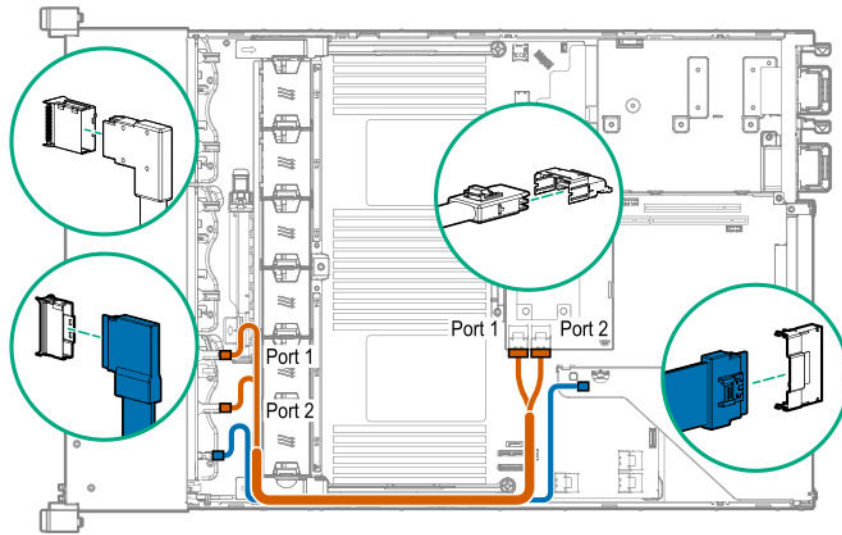


**All boxes**



**Cable routing: Front 8SFF NVMe/SAS premium drive option**

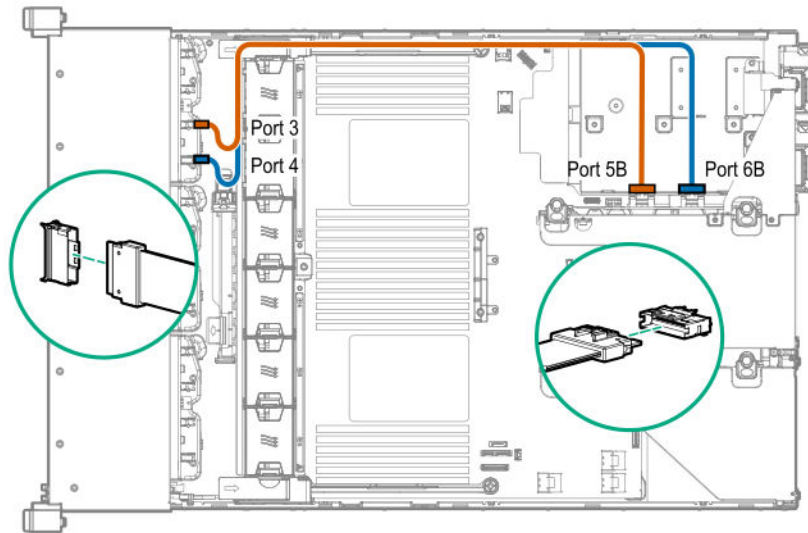
The backplane shown is in box 3.



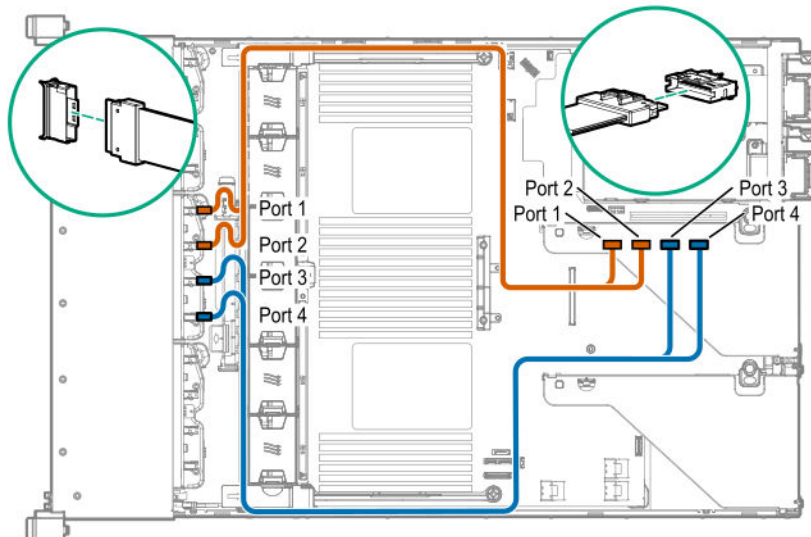
**Cable routing: Front 8SFF NVMe drive options**



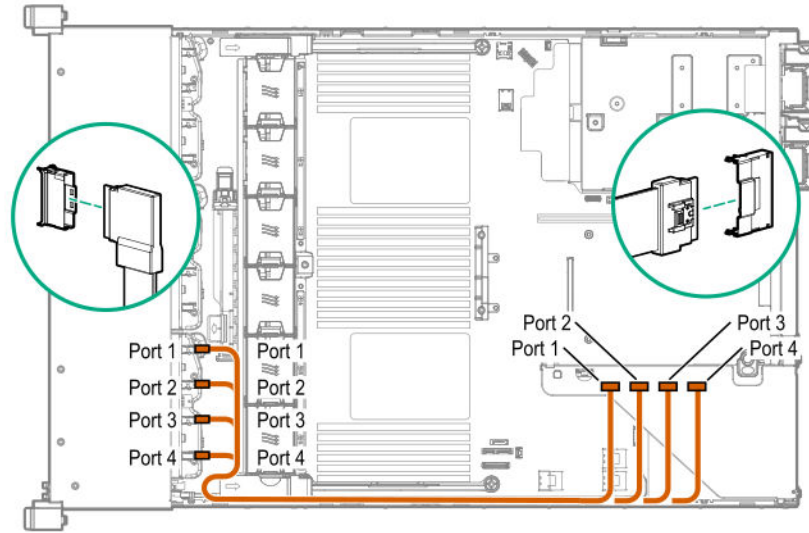
**Box 1**



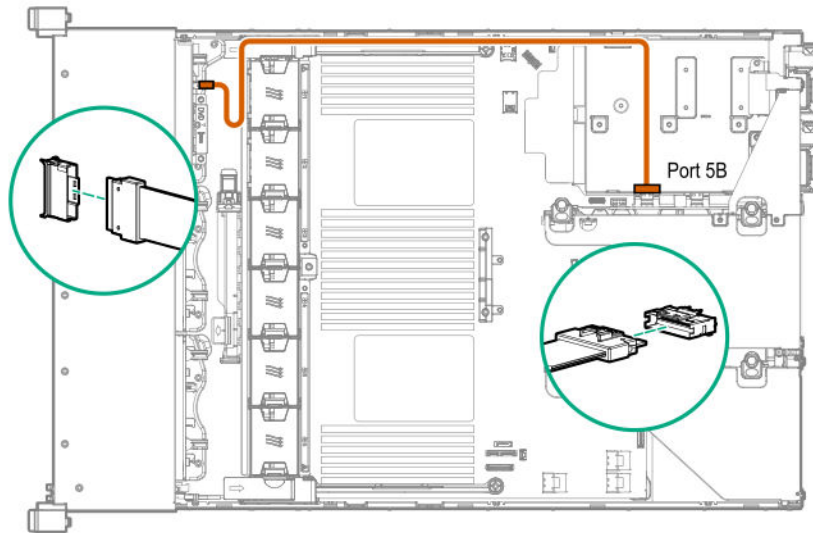
**Box 2**



**Box 3**

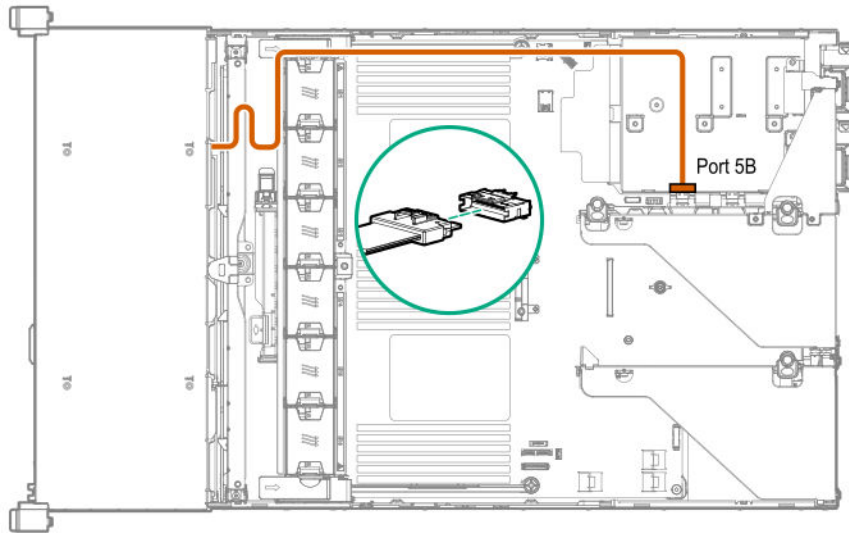


**Cable routing: Front 2SFF NVMe drive option for SFF**

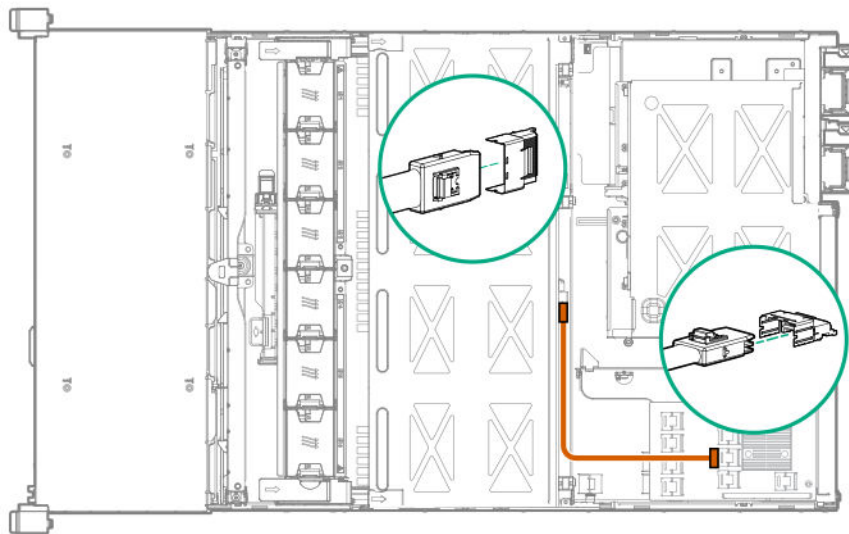


**Cable routing: Front 2SFF NVMe drive option for LFF**

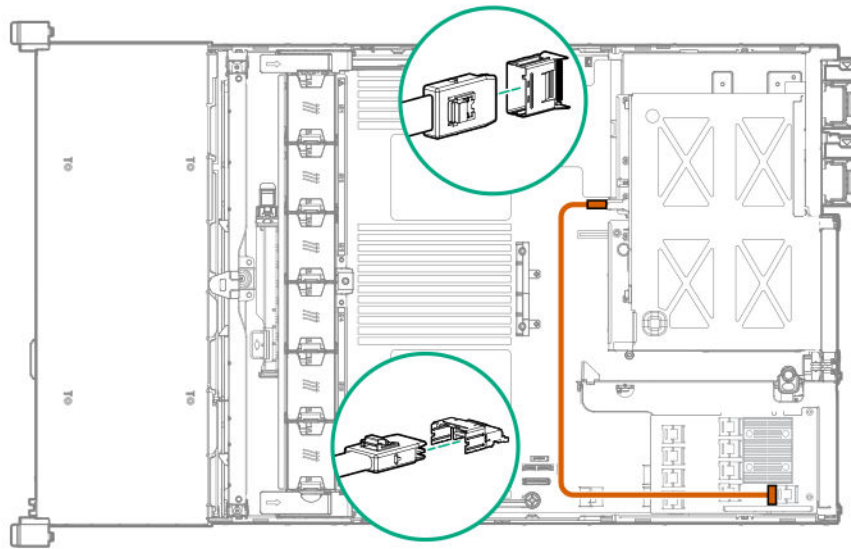




**Cable routing: Midplane 4LFF drive option**

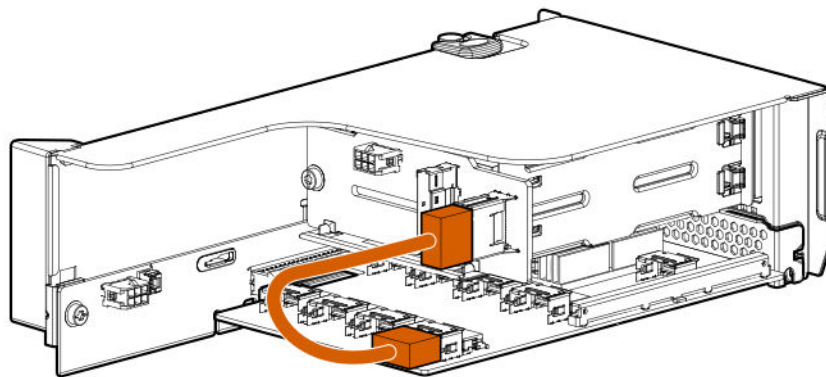


## Cable routing: Rear 3LFF drive option

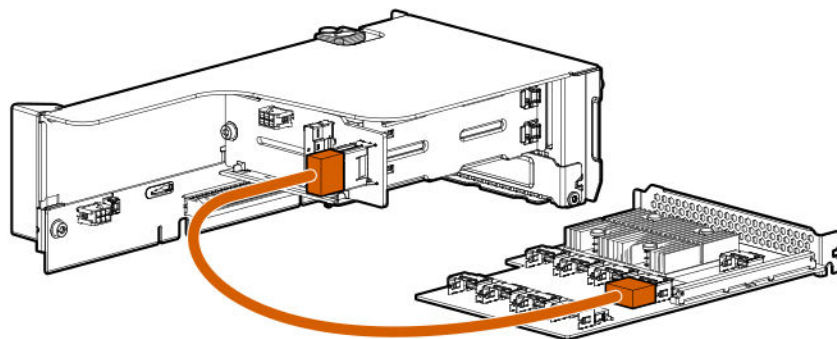


## Cable routing: Rear 2SFF drive options

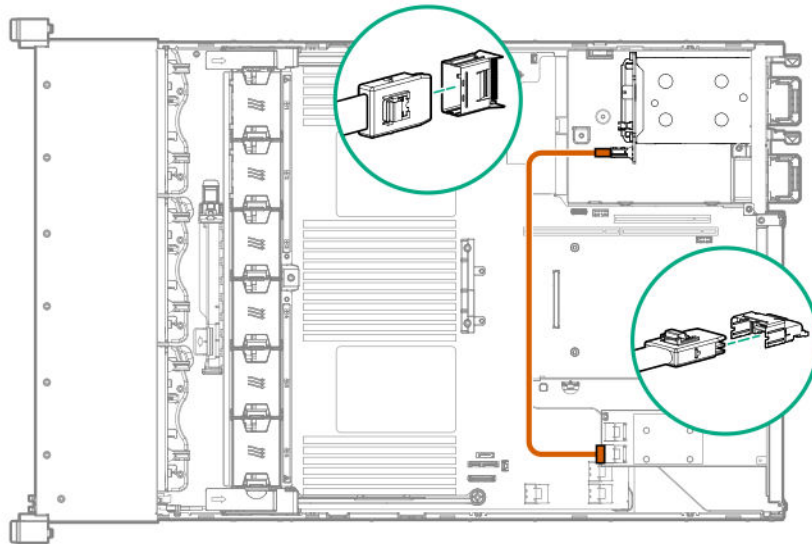
**Rear 2SFF drive option to a SAS expander, both in the primary slot**



**Rear 2SFF drive option in the secondary slot to a SAS Expander in primary slot**



### Rear 2SFF drive option above the power supplies to a controller

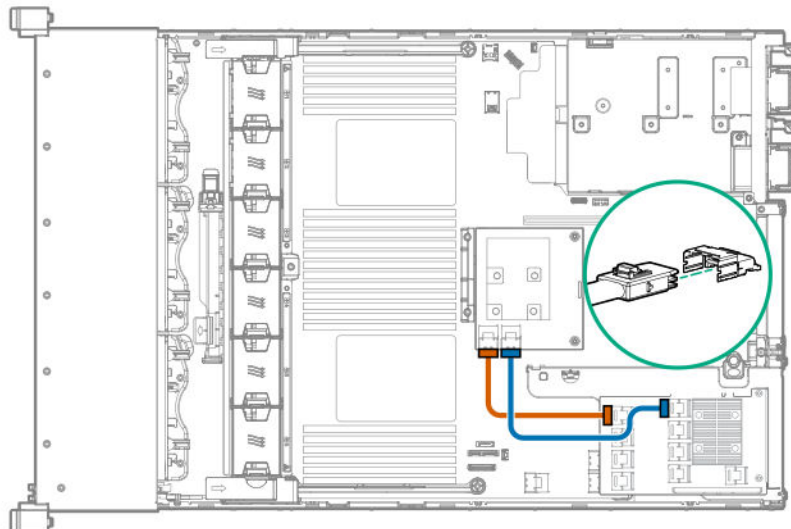


### Cable routing: HPE 12G SAS Expander to a controller

Observe the following:

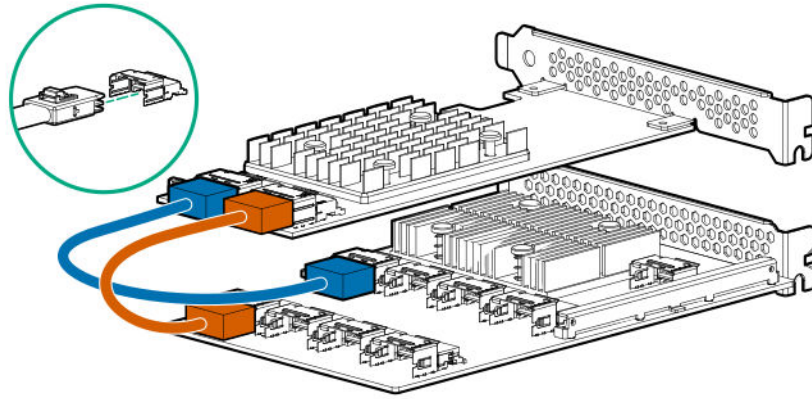
- Port 1 always connects to port 1 of the controller.
- Port 2 always connects to port 2 of the controller.

### SAS expander to an a-type controller





## SAS expander to a p-type controller



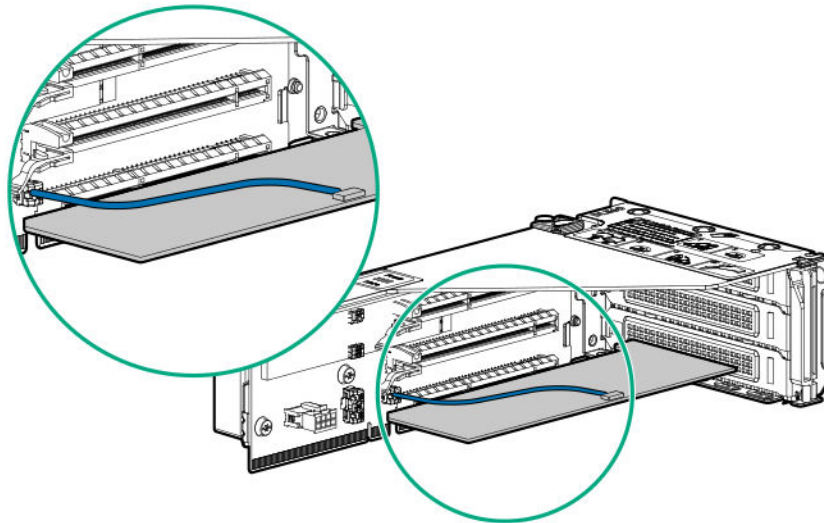
## Cable routing: Smart Array P824i-P Controller

Observe the following:

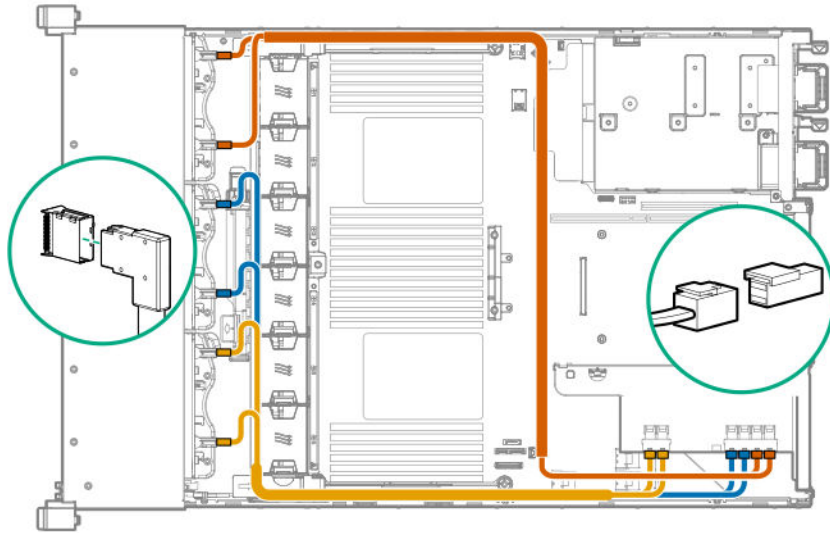
- Do not store excess cabling in the rear of the server. This blocks airflow and increases heat inside the server.
- Extra cable slack should be stored towards the front of the server, near the drive backplane.

### Backup power cable

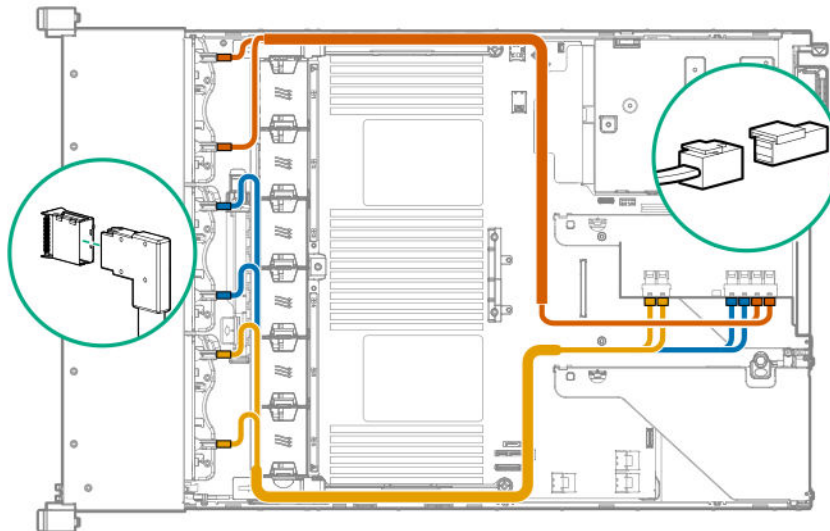
A smart storage battery is required with this controller. Your riser might look different from the one shown. To locate a backup power connector, see "[Riser board components](#)".



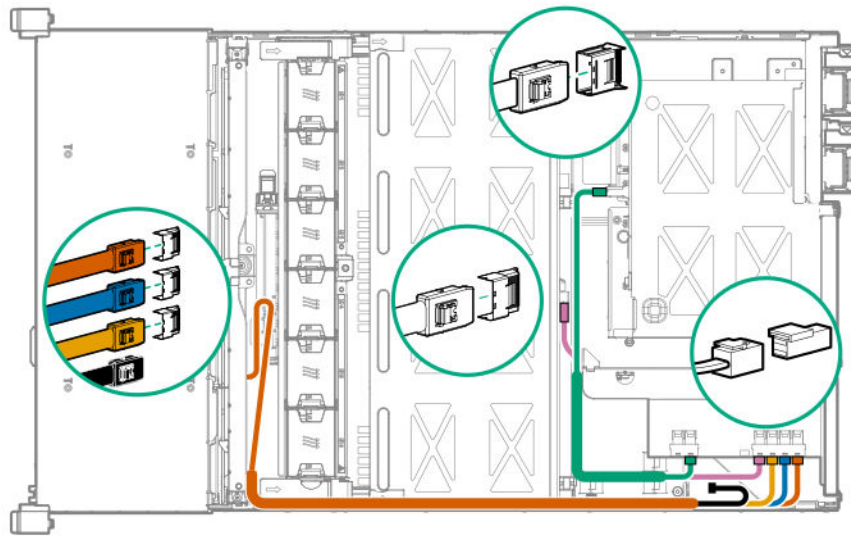
**24SFF with a Smart Array P824i-P controller in primary**



**24SFF with a Smart Array P824i-P controller in secondary**

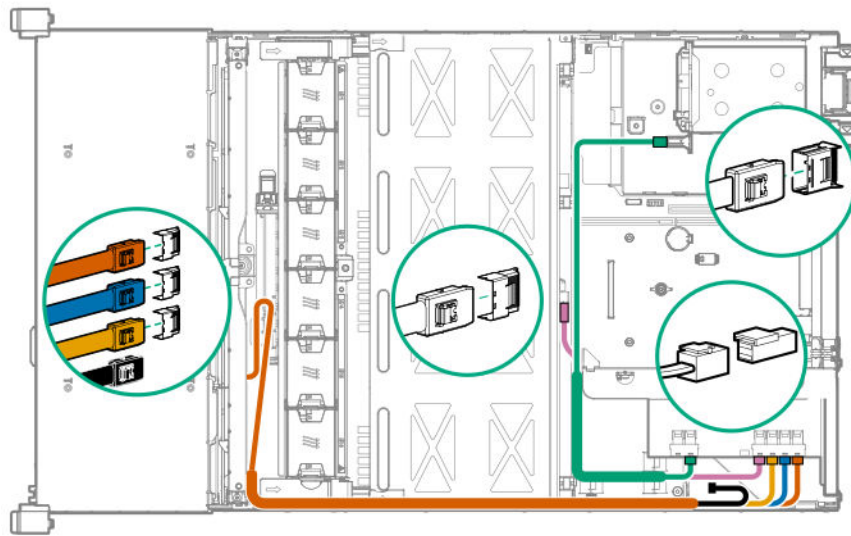


**Front 12LFF + Middle 4LFF + Rear 3LFF with the Smart Array P824i-P in the primary position**



\*One cable is left disconnected.

**Front 12LFF + Middle 4LFF + Rear 2SFF with the Smart Array P824i-P controller in the primary position**

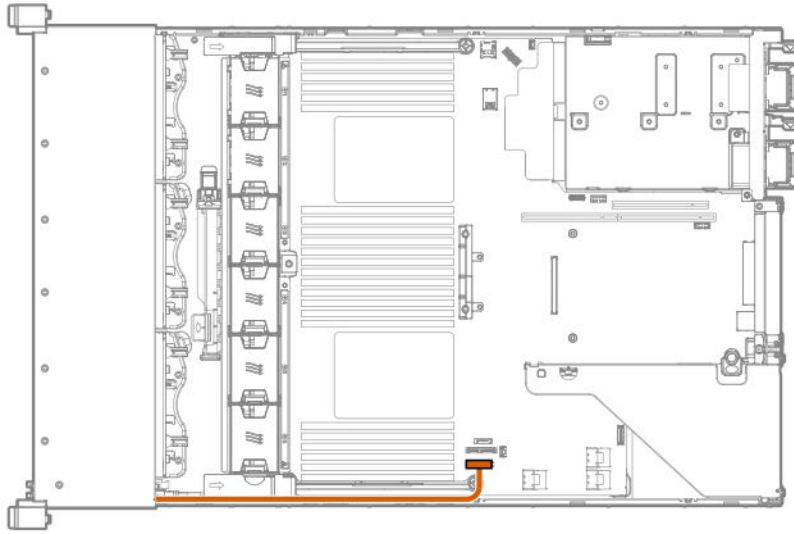


\*One cable is left disconnected

**Cable routing: Systems Insight Display**

An SFF model is shown. The routing is the same for LFF.





# Software and configuration utilities

## Server mode

The software and configuration utilities presented in this section operate in online mode, offline mode, or in both modes.

<b>Software or configuration utility</b>	<b>Server mode</b>
<b><u>Active Health System</u></b>	Online and Offline
<b><u>HPE iLO 5</u></b>	Online and Offline
<b><u>HPE Smart Storage Administrator</u></b>	Online and Offline
<b><u>iLO RESTful API</u></b>	Online and Offline
<b><u>Intelligent Provisioning</u></b>	Online and Offline
<b><u>Scripting Toolkit for Windows and Linux</u></b>	Online
<b><u>Service Pack for ProLiant</u></b>	Online and Offline
<b><u>Smart Update Manager</u></b>	Online and Offline
<b><u>UEFI System Utilities</u></b>	Offline
<b><u>HPE MR Storage Administrator</u></b>	Online
<b><u>StorCLI</u></b>	Online

## Product QuickSpecs

For more information about product features, specifications, options, configurations, and compatibility, see the product QuickSpecs on the Hewlett Packard Enterprise website (<https://www.hpe.com/info/qs>).

## Active Health System Viewer

Active Health System Viewer (AHSV) is an online tool used to read, diagnose, and resolve server issues quickly using AHS uploaded data. AHSV provides Hewlett Packard Enterprise recommended repair actions based on experience and best practices. AHSV provides the ability to:

- Read server configuration information
- View Driver/Firmware inventory
- Review Event Logs



- Respond to Fault Detection Analytics alerts
- Open new and update existing support cases

## Active Health System

The Active Health System monitors and records changes in the server hardware and system configuration.

The Active Health System provides:

- Continuous health monitoring of over 1600 system parameters
- Logging of all configuration changes
- Consolidated health and service alerts with precise time stamps
- Agentless monitoring that does not affect application performance

For more information about the Active Health System, see the iLO user guide at the following website: <https://www.hpe.com/support/ilo-docs>.

## Active Health System data collection

The Active Health System does not collect information about your operations, finances, customers, employees, or partners.

Examples of information that is collected:

- Server model and serial number
- Processor model and speed
- Storage capacity and speed
- Memory capacity and speed
- Firmware/BIOS and driver versions and settings

The Active Health System does not parse or change OS data from third-party error event log activities (for example, content created or passed through the OS).

## Active Health System Log

The data collected by the Active Health System is stored in the Active Health System Log. The data is logged securely, isolated from the operating system, and separate from customer data. Host resources are not consumed in the collection and logging of Active Health System data.

When the Active Health System Log is full, new data overwrites the oldest data in the log.

It takes less than 5 minutes to download the Active Health System Log and send it to a support professional to help you resolve an issue.

When you download and send Active Health System data to Hewlett Packard Enterprise, you agree to have the data used for analysis, technical resolution, and quality improvements. The data that is collected is managed according to the privacy statement, available at <https://www.hpe.com/info/privacy>.

You can also upload the log to the Active Health System Viewer. For more information, see the Active Health System Viewer documentation at the following website: <https://www.hpe.com/support/ahsv-docs>.



# HPE iLO 5

iLO 5 is a remote server management processor embedded on the system boards of supported HPE servers and compute modules. iLO enables the monitoring and controlling of servers from remote locations. iLO management is a powerful tool that provides multiple ways to configure, update, monitor, and repair servers remotely.

For more information about iLO, see the iLO user guide at the following website: <https://www.hpe.com/support/ilo-docs>.

## iLO Federation

iLO Federation enables you to manage multiple servers from one system using the iLO web interface.

When configured for iLO Federation, iLO uses multicast discovery and peer-to-peer communication to enable communication between the systems in iLO Federation groups.

When you navigate to one of the iLO Federation pages, a data request is sent from the iLO system running the web interface to its peers, and from those peers to other peers until all data for the selected iLO Federation group is retrieved.

iLO supports the following features:

- Group health status—View server health and model information.
- Group virtual media—Connect URL-based media for access by a group of servers.
- Group power control—Manage the power status of a group of servers.
- Group power capping—Set dynamic power caps for a group of servers.
- Group firmware update—Update the firmware of a group of servers.
- Group license installation—Enter a license key to activate iLO licensed features on a group of servers.
- Group configuration—Add iLO Federation group memberships for multiple iLO systems.

Any user can view information on iLO Federation pages, but a license is required for using the following features: Group virtual media, Group power control, Group power capping, Group configuration, and Group firmware update.

For more information about iLO Federation, see the iLO user guide at the following website: <https://www.hpe.com/support/ilo-docs>.

## iLO Service Port

The Service Port is a USB port with the label **iLO** on supported servers and compute modules.

To find out if your server or compute module supports this feature, see the server specifications document at the following website: <https://www.hpe.com/info/qs>.

When you have physical access to a server, you can use the Service Port to do the following:

- Download the Active Health System Log to a supported USB flash drive.  
When you use this feature, the connected USB flash drive is not accessible by the host operating system.
- Connect a client (such as a laptop) with a supported USB to Ethernet adapter to access the following:
  - iLO web interface
  - Remote console
  - iLO RESTful API
  - CLI

Hewlett Packard Enterprise recommends the HPE USB to Ethernet Adapter (part number Q7Y55A).



Some servers, such as the XL170r, require an adapter to connect a USB to Ethernet adapter to the iLO Service Port. Hewlett Packard Enterprise recommends the HPE Micro USB to USB Adapter (part number 789904-B21).

When you use the iLO Service Port:

- Actions are logged in the iLO event log.
- The server UID flashes to indicate the Service Port status.  
You can also retrieve the Service Port status by using a REST client and the iLO RESTful API.
- You cannot use the Service Port to boot any device within the server, or the server itself.
- You cannot access the server by connecting to the Service Port.
- You cannot access the connected device from the server.

For more information about the iLO Service Port, see the iLO user guide at the following website: <https://www.hpe.com/support/ilo-docs>.

 For more information, see the [Anywhere Access to HPE ProLiant Gen10 Servers](#) video.

## iLO RESTful API

iLO includes the iLO RESTful API, which is Redfish API conformant. The iLO RESTful API is a management interface that server management tools can use to perform configuration, inventory, and monitoring tasks by sending basic HTTPS operations (GET, PUT, POST, DELETE, and PATCH) to the iLO web server.

To learn more about the iLO RESTful API, see the Hewlett Packard Enterprise website (<https://www.hpe.com/support/restfulinterface/docs>).

For specific information about automating tasks using the iLO RESTful API, see libraries and sample code at <https://www.hpe.com/info/redfish>.

 For more information, watch the [Redfish & How it works with HPE Server Management](#) video.

## RESTful Interface Tool

The RESTful Interface Tool (iLOREST) is a scripting tool that allows you to automate HPE server management tasks. It provides a set of simplified commands that take advantage of the iLO RESTful API. You can install the tool on your computer for remote use or install it locally on a server with a Windows or Linux Operating System. The RESTful Interface Tool offers an interactive mode, a scriptable mode, and a file-based mode similar to CONREP to help decrease automation times.

For more information, see the following website: <https://www.hpe.com/info/resttool>.

## Description iLO Amplifier Pack

iLO Amplifier Pack is an advanced server inventory, firmware and driver update solution that enables rapid discovery, detailed inventory reporting, firmware, and driver updates by leveraging iLO advanced functionality. iLO Amplifier Pack performs rapid server discovery and inventory for thousands of supported servers for the purpose of updating firmware and drivers at scale.

For more information about iLO Amplifier Pack, see the *iLO Amplifier Pack User Guide* at the following website: <https://www.hpe.com/support/ilo-ap-ug-en>.

## Integrated Management Log

The IML records hundreds of events and stores them in an easy-to-view form. The IML timestamps each event with one-minute granularity.

You can view recorded events in the IML in several ways, including the following:





- From within HPE SIM
- From within the UEFI System Utilities
- From within the Embedded UEFI shell
- From within the iLO web interface

## Intelligent Provisioning

Intelligent Provisioning is a single-server deployment tool embedded in ProLiant servers and HPE Synergy compute modules. Intelligent Provisioning simplifies server setup, providing a reliable and consistent way to deploy servers.

Intelligent Provisioning 3.30 and later includes HPE Rapid Setup Software. When you launch F10 mode from the POST screen, you are prompted to select whether you want to enter the Intelligent Provisioning or HPE Rapid Setup Software mode.

---

**NOTE:** After you have selected a mode, you must reprogram the server to change the mode that launches when you boot to F10.

---

Intelligent Provisioning prepares the system for installing original, licensed vendor media and Hewlett Packard Enterprise-branded versions of OS software. Intelligent Provisioning also prepares the system to integrate optimized server support software from the Service Pack for ProLiant (SPP). SPP is a comprehensive systems software and firmware solution for ProLiant servers, server blades, their enclosures, and HPE Synergy compute modules. These components are preloaded with a basic set of firmware and OS components that are installed along with Intelligent Provisioning.

---

**!** **IMPORTANT:** HPE ProLiant DX/XL servers do not support operating system installation with Intelligent Provisioning, but they do support the maintenance features. For more information, see "Performing Maintenance" in the Intelligent Provisioning user guide and online help.

---

After the server is running, you can update the firmware to install additional components. You can also update any components that have been outdated since the server was manufactured.

To access Intelligent Provisioning:

- Press **F10** from the POST screen and enter either Intelligent Provisioning or HPE Rapid Setup Software.
- From the iLO web interface using **Always On. Always On** allows you to access Intelligent Provisioning without rebooting your server.

## Intelligent Provisioning operation

---

**NOTE:** Intelligent Provisioning 3.40 and later requires iLO firmware version 2.10.

---

Intelligent Provisioning includes the following components:

- Critical boot drivers
- Active Health System (AHS)
- Erase Utility
- Deployment Settings





---

**IMPORTANT:**

- Although your server is preloaded with firmware and drivers, Hewlett Packard Enterprise recommends updating the firmware upon initial setup. Also, downloading and updating the latest version of Intelligent Provisioning ensures the latest supported features are available.
  - For ProLiant servers, firmware is updated using the Intelligent Provisioning Firmware Update utility.
  - Do not update firmware if the version you are currently running is required for compatibility.
- 

**NOTE:** Intelligent Provisioning does not function within multihomed configurations. A multihomed host is one that is connected to two or more networks or has two or more IP addresses.

---

Intelligent Provisioning provides installation help for the following operating systems:

- Microsoft Windows Server
- Red Hat Enterprise Linux
- SUSE Linux Enterprise Server
- VMware ESXi/vSphere Custom Image
- ClearOS

Not all versions of an OS are supported. For information about specific versions of a supported operating system, see the OS Support Matrix on the Hewlett Packard Enterprise website (<https://www.hpe.com/info/ossupport>).

## Management security

HPE ProLiant Gen10, HPE ProLiant Gen10 Plus, and HPE Apollo servers are built with some of the industry's most advanced security capabilities, out of the box, with a foundation of secure embedded management applications and firmware. The management security provided by HPE embedded management products enables secure support of modern workloads, protecting your components from unauthorized access and unapproved use. The range of embedded management and optional software and firmware available with the iLO Advanced license provides security features that help ensure protection, detection, and recovery from advanced cyber attacks. For more information, see the *HPE Gen10 and Gen10 Plus Security Reference Guide* on the Hewlett Packard Enterprise Information Library at <https://www.hpe.com/support/gen10-security-ref-en>.

## Scripting Toolkit for Windows and Linux

The STK for Windows and Linux is a server deployment product that delivers an unattended automated installation for high-volume server deployments. The STK is designed to support ProLiant servers. The toolkit includes a modular set of utilities and important documentation that describes how to apply these tools to build an automated server deployment process.

The STK provides a flexible way to create standard server configuration scripts. These scripts are used to automate many of the manual steps in the server configuration process. This automated server configuration process cuts time from each deployment, making it possible to scale rapid, high-volume server deployments.

For more information or to download the STK, see the [Hewlett Packard Enterprise website](#).

## UEFI System Utilities

The UEFI System Utilities is embedded in the system ROM. Its features enable you to perform a wide range of configuration activities, including:



- Configuring system devices and installed options.
- Enabling and disabling system features.
- Displaying system information.
- Selecting the primary boot controller or partition.
- Configuring memory options.
- Launching other preboot environments.

HPE servers with UEFI can provide:

- Support for boot partitions larger than 2.2 TB. Such configurations could previously only be used for boot drives when using RAID solutions.
- Secure Boot that enables the system firmware, option card firmware, operating systems, and software collaborate to enhance platform security.
- UEFI Graphical User Interface (GUI)
- An Embedded UEFI Shell that provides a preboot environment for running scripts and tools.
- Boot support for option cards that only support a UEFI option ROM.

## Selecting the boot mode

This server provides two **Boot Mode** configurations: UEFI Mode and Legacy BIOS Mode. Certain boot options require that you select a specific boot mode. By default, the boot mode is set to **UEFI Mode**. The system must boot in **UEFI Mode** to use certain options, including:

- Secure Boot, UEFI Optimized Boot, Generic USB Boot, IPv6 PXE Boot, iSCSI Boot, and Boot from URL
- Fibre Channel/FCoE Scan Policy

---

**NOTE:** The boot mode you use must match the operating system installation. If not, changing the boot mode can impact the ability of the server to boot to the installed operating system.

---

### Prerequisite

When booting to **UEFI Mode**, leave **UEFI Optimized Boot** enabled.

### Procedure

1. From the **System Utilities** screen, select **System Configuration > BIOS/Platform Configuration (RBSU) > Boot Options > Boot Mode**.
2. Select a setting.
  - **UEFI Mode** (default)—Configures the system to boot to a UEFI compatible operating system.
  - **Legacy BIOS Mode**—Configures the system to boot to a traditional operating system in Legacy BIOS compatibility mode.
3. Save your setting.
4. Reboot the server.



## Secure Boot

Secure Boot is a server security feature that is implemented in the BIOS and does not require special hardware. Secure Boot ensures that each component launched during the boot process is digitally signed and that the signature is validated against a set of trusted certificates embedded in the UEFI BIOS. Secure Boot validates the software identity of the following components in the boot process:

- UEFI drivers loaded from PCIe cards
- UEFI drivers loaded from mass storage devices
- Preboot UEFI Shell applications
- OS UEFI boot loaders

When Secure Boot is enabled:

- Firmware components and operating systems with boot loaders must have an appropriate digital signature to execute during the boot process.
- Operating systems must support Secure Boot and have an EFI boot loader signed with one of the authorized keys to boot. For more information about supported operating systems, see <https://www.hpe.com/servers/ossupport>.

You can customize the certificates embedded in the UEFI BIOS by adding or removing your own certificates, either from a management console directly attached to the server, or by remotely connecting to the server using the iLO Remote Console.

You can configure Secure Boot:

- Using the **System Utilities** options described in the following sections.
- Using the iLO RESTful API to clear and restore certificates. For more information, see the Hewlett Packard Enterprise website (<https://www.hpe.com/info/redfish>).
- Using the `secboot` command in the Embedded UEFI Shell to display Secure Boot databases, keys, and security reports.

## Launching the Embedded UEFI Shell

Use the **Embedded UEFI Shell** option to launch the Embedded UEFI Shell. The Embedded UEFI Shell is a preboot command-line environment for scripting and running UEFI applications, including UEFI boot loaders. The Shell also provides CLI-based commands you can use to obtain system information, and to configure and update the system BIOS.

### Prerequisites

**Embedded UEFI Shell** is set to **Enabled**.

### Procedure

1. From the **System Utilities** screen, select **Embedded Applications > Embedded UEFI Shell**.

The **Embedded UEFI Shell** screen appears.

2. Press any key to acknowledge that you are physically present.

This step ensures that certain features, such as disabling **Secure Boot** or managing the **Secure Boot** certificates using third-party UEFI tools, are not restricted.

3. If an administrator password is set, enter it at the prompt and press **Enter**.

The `Shell>` prompt appears.

4. Enter the commands required to complete your task.
5. Enter the `exit` command to exit the Shell.

## HPE Smart Storage Administrator

HPE SSA is the main tool for configuring arrays on HPE Smart Array SR controllers. It exists in three interface formats: the HPE SSA GUI, the HPE SSA CLI, and HPE SSA Scripting. All formats provide support for configuration tasks. Some of the advanced tasks are available in only one format.

The diagnostic features in HPE SSA are also available in the standalone software HPE Smart Storage Administrator Diagnostics Utility CLI.

During the initial provisioning of the server or compute module, an array is required to be configured before the operating system can be installed. You can configure the array using SSA.

HPE SSA is accessible both offline (either through HPE Intelligent Provisioning or as a standalone bootable ISO image) and online:

- Accessing HPE SSA in the offline environment

---

**!** **IMPORTANT:** If you are updating an existing server in an offline environment, obtain the latest version of HPE SSA through Service Pack for ProLiant before performing configuration procedures.

---

Using one of multiple methods, you can run HPE SSA before launching the host operating system. In offline mode, users can configure or maintain detected and supported devices, such as optional Smart Array controllers and integrated Smart Array controllers. Some HPE SSA features are only available in the offline environment, such as setting the boot controller and boot volume.

- Accessing HPE SSA in the online environment

This method requires an administrator to download the HPE SSA executables and install them. You can run HPE SSA online after launching the host operating system.

For more information, see *HPE Smart Array SR Gen10 Configuration Guide* at the [Hewlett Packard Enterprise website](#).

## HPE MR Storage Administrator

HPE MR Storage Administrator is a web-based application that enables you to monitor, configure, maintain, and troubleshoot the HPE Smart Array MR controller. MR Storage Administrator enables you to view, create, and manage storage configurations.

---

**!** **IMPORTANT:** The HPE MR Storage Administrator manages **only** the HPE Smart Array MR controllers. It does not manage HPE Smart Array SR controllers.

---

- **Monitoring and configuring:** MR Storage Administrator enables you to monitor the controllers and configure the drives on the controller. It displays the status of the controller cards, logical drives, and drives on the controller. The device status icons notify you if there are drive failures and other events that require your immediate attention. Email notifications about the status of the server are sent based on your alert settings. The system errors and events are recorded and displayed in an event log file. You can also import or clear foreign configurations.

---

**!** **IMPORTANT:** Limited alerting and monitoring is available through iLO when HPE Agentless Management Service is installed. The HPE Smart Array P824i-p MR Gen10 controller supports limited alerts through iLO using the AMS agent.

---



- **Maintaining:** Using MR Storage Administrator, you can perform system maintenance tasks, such as updating the controller firmware.
- **Troubleshooting:** MR Storage Administrator displays information related to drive failures, device failures, and other issues. It also provides recommendations and displays contextual links, helping you to locate the drives/devices that have issues and troubleshoot them. You can also download a report of the devices and their configurations, properties, and settings and send it to Hewlett Packard Enterprise Support for further troubleshooting.

Obtain MR Storage Administrator installation files through the Service Pack for ProLiant, or SPP, which you can download from the Hewlett Packard Enterprise website (<https://www.hpe.com/servers/spp/download>). Be sure to use the latest SPP version for the server.

For more information about the MR Storage Administrator, see *MR Storage Administrator User Guide* on the Hewlett Packard Enterprise website (<https://www.hpe.com/info/P824i-pdocs>).

## HPE InfoSight for servers

The HPE InfoSight portal is a secure web interface hosted by HPE that allows you to monitor supported devices through a graphical interface.

HPE InfoSight for servers:

- Combines the machine learning and predictive analytics of HPE InfoSight with the health and performance monitoring of Active Health System (AHS) and HPE iLO to optimize performance and predict and prevent problems
- Provides automatic collection and analysis of the sensor and telemetry data from AHS to derive insights from the behaviors of the install base to provide recommendations to resolve problems and improve performance

For more information on getting started and using HPE InfoSight for servers, go to: <https://www.hpe.com/info/infosight-servers-docs>.

## StorCLI

The Storage Command Line Interface (StorCLI) tool is the command line management software designed for the HPE Smart Array MR controller. StorCLI is a command line interface that is designed to be easy to use, consistent, and easy to script.

Obtain StorCLI through the Service Pack for ProLiant, or SPP, which you can download from <https://www.hpe.com/servers/spp/download>. Be sure to use the latest SPP version for the server.

For more information about StorCLI, see *StorCLI User Guide* on the Hewlett Packard Enterprise website <https://www.hpe.com/info/P824i-pdocs>.

## USB support

Hewlett Packard Enterprise Gen10 and Gen10 Plus servers support all USB operating speeds depending on the device that is connected to the server.

### External USB functionality

Hewlett Packard Enterprise provides external USB support to enable local connection of USB devices for server administration, configuration, and diagnostic procedures.

For additional security, external USB functionality can be disabled through USB options in UEFI System Utilities.



## Redundant ROM support

The server enables you to upgrade or configure the ROM safely with redundant ROM support. The server has a single ROM that acts as two separate ROM images. In the standard implementation, one side of the ROM contains the current ROM program version, while the other side of the ROM contains a backup version.

---

**NOTE:** The server ships with the same version programmed on each side of the ROM.

---

## Safety and security benefits

When you flash the system ROM, the flashing mechanism writes over the backup ROM and saves the current ROM as a backup, enabling you to switch easily to the alternate ROM version if the new ROM becomes corrupted for any reason. This feature protects the existing ROM version, even if you experience a power failure while flashing the ROM.

## Keeping the system current

### Updating firmware or system ROM

To update firmware or system ROM, use one of the following methods:

- The **Firmware Update** option in the System Utilities.
- The `fwupdate` command in the **Embedded UEFI Shell**.
- Service Pack for ProLiant (SPP)
- HPE online flash components
- Moonshot Component Pack

### Service Pack for ProLiant

SPP is a systems software and firmware solution delivered as a single ISO file download. This solution uses SUM as the deployment tool and is tested and supports HPE ProLiant, HPE BladeSystem, HPE Synergy, and HPE Apollo servers and infrastructure.

SPP, along with SUM and SUT, provides Smart Update system maintenance tools that systematically update HPE ProLiant, HPE BladeSystem, HPE Synergy, and HPE Apollo servers and infrastructure.

SPP can be used in an online mode on a server running Windows, Linux, or VMware vSphere ESXi, or in an offline mode where the server is booted to an operating system included in the ISO file.

The preferred method for downloading an SPP is using the SPP Custom Download at <https://www.hpe.com/servers/spp/custom>.

The SPP is also available for download from the SPP download page at <https://www.hpe.com/servers/spp/download>.

### Smart Update Manager

SUM is an innovative tool for maintaining and updating the firmware, drivers, and system software of HPE ProLiant, HPE BladeSystem, HPE Synergy, and HPE Apollo servers, infrastructure, and associated options.

SUM identifies associated nodes you can update at the same time to avoid interdependency issues.

Key features of SUM include:

- Discovery engine that finds installed versions of hardware, firmware, and software on nodes.
- SUM deploys updates in the correct order and ensures that all dependencies are met before deploying an update.



- Interdependency checking.
- Automatic and step-by-step Localhost Guided Update process.
- Web browser-based user interface.
- Ability to create custom baselines and ISOs.
- Support for iLO Repository (Gen10 or later iLO 5 nodes only).
- Simultaneous firmware and software deployment for multiple remote nodes.
- Local offline firmware deployments with SPP deliverables.
- Extensive logging in all modes.

---

**NOTE:** SUM does not support third-party controllers, including flashing hard drives behind the controllers.

---

## Integrated Smart Update Tools

Integrated Smart Update Tools (SUT) is the smart update solution for performing online firmware and driver updates. SUT is used with iLO 4, iLO 5, and with update solutions (management appliances such as iLO Amplifier Pack or HPE OneView and Smart Update Manager (SUM) to stage, install, and activate firmware and driver updates.

The solution must be installed on the operating system, where it updates results through Rich Infrastructure Services (RIS) communication.

- **SUT:** Polls iLO to check for requests from SUM or iLO Amplifier Pack for updates through the management network and orchestrates staging, deploying, and activating updates. You can adjust the polling interval by issuing the appropriate command-line option provided by SUT. Performs inventory on target servers, stages deployment, deploys updates, and then reboots the servers.
- **iLO 5 with integrated Smart Update** (Gen10 or later servers only): Performs iLO Repository-based updates by downloading the components from iLO Repository when iLO Installation Queue has the components which can be updated by SUT.
- **iLO Amplifier Pack and HPE OneView:** Displays available updates for servers. Communicates with SUT (or SUT 1.x) to initiate updates using the iLO Redfish interface. SUT reports the status of updates to iLO Amplifier Pack through iLO Restful Interface.
- **SUM:** A tool for firmware and driver maintenance for HPE ProLiant servers and associated options.

---

**NOTE:** SUM and iLO Amplifier Pack should not manage the same nodes.

---

## Updating firmware from the System Utilities

Use the **Firmware Updates** option to update firmware components in the system, including the system BIOS, NICs, and storage cards.

### Procedure

1. Access the System ROM Flash Binary component for your server from the Hewlett Packard Enterprise Support Center.
2. Copy the binary file to a USB media or iLO virtual media.
3. Attach the media to the server.
4. Launch the **System Utilities**, and select **Embedded Applications > Firmware Update**.
5. Select a device.



The **Firmware Updates** screen lists details about your selected device, including the current firmware version in use.

**6. Select **Select Firmware File.****

**7. Select the flash file in the **File Explorer** list.**

The firmware file is loaded and the **Firmware Updates** screen lists details of the file in the **Selected firmware file** field.

**8. Select **Image Description**, and then select a firmware image.**

A device can have multiple firmware images.

**9. Select **Start firmware update.****

## Updating the firmware from the UEFI Embedded Shell

### Procedure

1. Access the System ROM Flash Binary component for your server from the Hewlett Packard Enterprise Support Center (<https://www.hpe.com/support/hpesc>).
2. Copy the binary file to a USB media or iLO virtual media.
3. Attach the media to the server.
4. Boot to the UEFI Embedded Shell.
5. To obtain the assigned file system volume for the USB key, enter `map -r`.
6. Change to the file system that contains the System ROM Flash Binary component for your server. Enter one of the `fsx` file systems available, such as `fs0:` or `fs1:`, and press **Enter**.
7. Use the `cd` command to change from the current directory to the directory that contains the binary file.
8. Flash the system ROM by entering `fwupdate -d BIOS -f filename`.
9. Reboot the server. A reboot is required after the firmware update in order for the updates to take effect and for hardware stability to be maintained.

## Online Flash components

This component provides updated system firmware that can be installed directly on supported operating systems. Additionally, when used in conjunction with SUM, this Smart Component allows the user to update firmware on remote servers from a central location. This remote deployment capability eliminates the need for the user to be physically present at the server to perform a firmware update.

## Drivers

---

 **IMPORTANT:** Always perform a backup before installing or updating device drivers.

---

Update drivers using any of the following **Smart Update Solutions**:

- Download the latest Service Pack for ProLiant (includes Smart Update Manager)
- Create a custom SPP download
- Download Smart Update Manager for Linux
- Download specific drivers



To locate the drivers for a server, go to the **Hewlett Packard Enterprise Support Center website**, and then search for the product name/number.

## Software and firmware

Update software and firmware before using the server for the first time, unless any installed software or components require an older version.

For system software and firmware updates, use one of the following sources:

- Download the SPP from the Hewlett Packard Enterprise website (<https://www.hpe.com/servers/spp/download>).
- Download individual drivers, firmware, or other system software components from the server product page in the Hewlett Packard Enterprise Support Center website (<https://www.hpe.com/support/hpesc>).

## Operating system version support

For information about specific versions of a supported operating system, refer to the **operating system support matrix**.

## HPE Pointnext Portfolio

HPE Pointnext delivers confidence, reduces risk, and helps customers realize agility and stability. Hewlett Packard Enterprise helps customers succeed through Hybrid IT by simplifying and enriching the on-premise experience, informed by public cloud qualities and attributes.

Operational Support Services enable you to choose the right service level, length of coverage, and response time to fit your business needs. For more information, see the Hewlett Packard Enterprise website:

**<https://www.hpe.com/us/en/services/operational.html>**

Utilize the Advisory and Transformation Services in the following areas:

- Private or hybrid cloud computing
- Big data and mobility requirements
- Improving data center infrastructure
- Better use of server, storage, and networking technology

For more information, see the Hewlett Packard Enterprise website:

**<https://www.hpe.com/services/consulting>**

## Proactive notifications

30 to 60 days in advance, Hewlett Packard Enterprise sends notifications to subscribed customers on upcoming:

- Hardware, firmware, and software changes
- Bulletins
- Patches
- Security alerts

You can subscribe to proactive notifications on the **Hewlett Packard Enterprise website**.



# Troubleshooting

## NMI functionality

An NMI crash dump enables administrators to create crash dump files when a system is hung and not responding to traditional debugging methods.

An analysis of the crash dump log is an essential part of diagnosing reliability problems, such as hanging operating systems, device drivers, and applications. Many crashes freeze a system, and the only available action for administrators is to cycle the system power. Resetting the system erases any information that could support problem analysis, but the NMI feature preserves that information by performing a memory dump before a hard reset.

To force the OS to initiate the NMI handler and generate a crash dump log, the administrator can use the iLO Generate NMI feature.

## Troubleshooting resources

Troubleshooting resources are available for HPE Gen10 and Gen10 Plus server products in the following documents:

- *Troubleshooting Guide for HPE ProLiant Gen10 and Gen10 Plus servers* provides procedures for resolving common problems and comprehensive courses of action for fault isolation and identification, issue resolution, and software maintenance.
- *Error Message Guide for HPE ProLiant Gen10 servers and HPE Synergy* provides a list of error messages and information to assist with interpreting and resolving error messages.
- *Error Message Guide for HPE ProLiant Gen10 Plus servers and HPE Synergy* provides a list of error messages and information to assist with interpreting and resolving error messages.
- *Integrated Management Log Messages and Troubleshooting Guide for HPE ProLiant Gen10 and Gen10 Plus servers and HPE Synergy* provides IML messages and associated troubleshooting information to resolve critical and cautionary IML events.

To access troubleshooting resources for your product, see the Hewlett Packard Enterprise Information Library:

- For Gen10 servers, see <https://www.hpe.com/info/gen10-troubleshooting>.
- For Gen10 Plus servers, see <https://www.hpe.com/info/gen10plus-troubleshooting>.



# Battery replacement

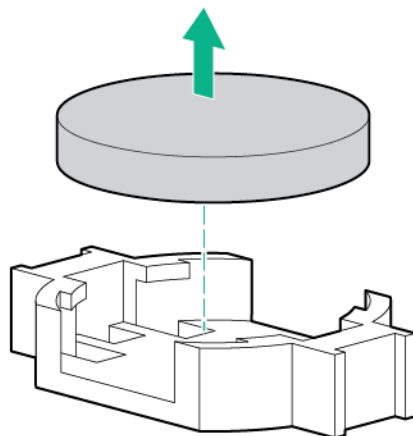
If the server no longer automatically displays the correct date and time, you may need to replace the battery that provides power to the real-time clock.

**⚠ WARNING:** The computer contains an internal lithium manganese dioxide, a vanadium pentoxide, or an alkaline battery pack. A risk of fire and burns exists if the battery pack is not properly handled. To reduce the risk of personal injury:

- Do not attempt to recharge the battery.
- Do not expose the battery to temperatures higher than 60°C (140°F).
- Do not disassemble, crush, puncture, short external contacts, or dispose of in fire or water.
- Replace only with the spare designated for this product.

To remove the component:

- 1. Power down the server.**
- 2. Remove all power:**
  - a. Disconnect each power cord from the power source.**
  - b. Disconnect each power cord from the server.**
- 3. Do one of the following:**
  - **Extend the server from the rack.**
  - **Remove the server from the rack.**
- 4. Remove the access panel.**
- 5. If installed, remove the secondary PCIe riser cage.**
- 6. Locate the battery.**
- 7. Remove the battery.**



For more information about battery replacement or proper disposal, contact an authorized reseller or an authorized service provider.



# Specifications

## Environmental specifications

Specification	Value
<b>Temperature range</b> <sup>1</sup>	—
Operating	10°C to 35°C (50°F to 95°F)
Nonoperating	-30°C to 60°C (-22°F to 140°F)
<b>Relative humidity (noncondensing)</b>	—
Operating	Minimum to be the higher (more moisture) of -12°C (10.4°F) dew point or 8% relative humidity  Maximum to be 24°C (75.2°F) dew point or 90% relative humidity
Nonoperating	5% to 95%  38.7°C (101.7°F), maximum wet bulb temperature

<sup>1</sup> All temperature ratings shown are for sea level. An altitude derating of 1.0°C per 304.8 m (1.8°F per 1000 ft) to 3048 m (10,000 ft) is applicable. No direct sunlight allowed. Maximum rate of change is 20°C per hour (36°F per hour). The upper limit and rate of change might be limited by the type and number of options installed.

For certain approved hardware configurations, the supported system inlet temperature range is extended:

- 5°C to 10°C (41°F to 50°F) and 35°C to 40°C (95°F to 104°F) at sea level with an altitude derating of 1.0°C per every 175 m (1.8°F per every 574 ft) above 900 m (2953 ft) to a maximum of 3048 m (10,000 ft).
- 40°C to 45°C (104°F to 113°F) at sea level with an altitude derating of 1.0°C per every 125 m (1.8°F per every 410 ft) above 900 m (2953 ft) to a maximum of 3048 m (10,000 ft).

The approved hardware configurations for this system are listed on the [Hewlett Packard Enterprise website](#).

## Mechanical specifications

Specification	Value
Height	8.73 cm (3.44 in)
Depth, SFF	67.94 cm (26.75 in)
Depth, LFF	73.02 cm (28.75 in)
Width	44.54 cm (17.54 in)
Weight, SFF minimum	14.9 kg (32.75 lbs)
Weight, SFF maximum	19.5kg (43.00 lbs)

*Table Continued*



Specification	Value
Weight, LFF minimum	17.1 kg (37.75 lbs)
Weight, LFF maximum	24.5 kg (54 lbs)

## Power supply specifications

Depending on the installed options and the regional location where the server was purchased, the server can be configured with one of the following power supplies:

- [\*\*HPE 500W Flex Slot Platinum Hot-plug Low Halogen Power Supply\*\*](#)
- [\*\*HPE 800W Flex Slot Platinum Hot-plug Low Halogen Power Supply\*\*](#)
- [\*\*HPE 800W Flex Slot Titanium Hot-plug Low Halogen Power Supply\*\*](#)
- [\*\*HPE 800W Flex Slot Universal Hot-plug Low Halogen Power Supply\*\*](#)
- [\*\*HPE 800W Flex Slot -48VDC Hot-plug Low Halogen Power Supply\*\*](#)
- [\*\*HPE 800W Flex Slot Scalable Persistent Memory Power Supply\*\*](#)
- [\*\*HPE 1600 W Flex Slot Platinum Hot-plug Low Halogen Power Supply\*\*](#)

For detailed power supply specifications, see the QuickSpecs on the [\*\*Hewlett Packard Enterprise website\*\*](#).

### HPE 500W Flex Slot Platinum Hot-plug Low Halogen Power Supply

Specification	Value
<b>Input requirements</b>	—
Rated input voltage	100 VAC to 240 VAC 240 VDC for China only
Rated input frequency	50 Hz to 60 Hz Not applicable to 240 VDC
Rated input current	5.6 A at 100 VAC 2.7 A at 200 VAC 2.3 A at 240 VDC for China only
Maximum rated input power	557 W at 100 VAC 539 W at 200 VAC 537 W at 240 VDC for China only

*Table Continued*



<b>Specification</b>	<b>Value</b>
BTUs per hour	1902 at 100 VAC 1840 at 200 VAC 1832 at 240 VDC for China only
<b>Power supply output</b>	—
Rated steady-state power	500 W at 100 VAC to 127 VAC input 500 W at 100 VAC to 240 VAC input 500 W at 240 VDC input for China only
Maximum peak power	500 W at 100 VAC to 127 VAC input 500 W at 100 VAC to 240 VAC input 500 W at 240 VDC input for China only

## HPE 800W Flex Slot Platinum Hot-plug Low Halogen Power Supply

<b>Specification</b>	<b>Value</b>
<b>Input requirements</b>	—
Rated input voltage	100 VAC to 127 VAC 200 VAC to 240 VAC 240 VDC for China only
Rated input frequency	50 Hz to 60 Hz Not applicable to 240 VDC
Rated input current	9.1 A at 100 VAC 4.4 A at 200 VAC 3.6 A at 240 VDC for China only
Maximum rated input power	899 W at 100 VAC 867 W at 200 VAC 864 W at 240 VDC for China only
BTUs per hour	3067 at 100 VAC 2958 at 200 VAC 2949 at 240 VAC for China only

*Table Continued*





Specification	Value
<b>Power supply output</b>	—
Rated steady-state power	800 W at 100 VAC to 127 VAC input 800 W at 100 VAC to 240 VAC input 800 W at 240 VDC input for China only
Maximum peak power	800 W at 100 VAC to 127 VAC input 800 W at 100 VAC to 240 VAC input 800 W at 240 VDC input for China only

## HPE 800W Flex Slot Titanium Hot-plug Low Halogen Power Supply

Specification	Value
<b>Input requirements</b>	—
Rated input voltage	200 VAC to 240 VAC 240 VDC for China only
Rated input frequency	50 Hz to 60 Hz Not applicable to 240 VDC
Rated input current	4.35 A at 200 VAC 3.62 A at 240 VAC 3.62 A at 240 VDC for China only
Maximum rated input power	851 W at 200 VAC 848 W at 240 VAC 848 W at 240 VDC for China only
BTUs per hour	2905 at 200 VAC 2893 at 240 VAC 2893 at 240 VDC for China only
<b>Power supply output</b>	—
Rated steady-state power	800 W at 200 VAC to 240 VAC input 800 W at 240 VDC input for China only
Maximum peak power	800 W at 200 VAC to 240 VAC input 800 W at 240 VDC input for China only



## HPE 800W Flex Slot Universal Hot-plug Low Halogen Power Supply

Specification	Value
<b>Input requirements</b>	—
Rated input voltage	200 VAC to 277 VAC 380 VDC
Rated input frequency	50 Hz to 60 Hz
Rated input current	4.4 A at 200 VAC 3.1 A at 277 VAC 2.3 A at 380 VDC
Maximum rated input power	869 W at 200 VAC 865 W at 230 VAC 861 W at 277 VAC 863 W at 380 VDC
BTUs per hour	2964 at 200 VAC 2951 at 230 VAC 2936 at 277 VAC 2943 at 380 VDC
<b>Power supply output</b>	—
Rated steady-state power	800 W at 200 VAC to 277 VAC input
Maximum peak power	800 W at 200 VAC to 277 VAC input

## HPE 800W Flex Slot -48VDC Hot-plug Low Halogen Power Supply

Specification	Value
<b>Input requirements</b>	—
Rated input voltage	-40 VDC to -72 VDC -48 VDC nominal input
Rated input current	22.1 A at -40 VDC input 18.2 A at -48 VDC input, nominal input 12.0 A at -72 VDC input

Table Continued



Specification	Value
Rated input power (W)	874 W at -40 VDC input
	865 W at -48 VDC input, nominal input
	854 W at -72 VDC input
Rated input power (BTUs per hour)	2983 at -40 VDC input
	2951 at -48 VDC input, nominal input
	2912 at -72 VDC input
<b>Power supply output</b>	—
Rated steady-state power (W)	800 W at -40 VDC to -72 VDC
Maximum peak power (W)	800 W at -40 VDC to -72 VDC
Maximum peak power	800 W at -40 VDC to -72 VDC input



**WARNING:** To reduce the risk of electric shock or energy hazards:

- This equipment must be installed by trained service personnel.
- Connect the equipment to a reliably grounded secondary circuit source. A secondary circuit has no direct connection to a primary circuit and derives its power from a transformer, converter, or equivalent isolation device.
- The branch circuit overcurrent protection must be rated 27 A.



**CAUTION:** This equipment is designed to permit the connection of the earthed conductor of the DC supply circuit to the earthing conductor at the equipment.

If this connection is made, all of the following must be met:

- This equipment must be connected directly to the DC supply system earthing electrode conductor or to a bonding jumper from an earthing terminal bar or bus to which the DC supply system earthing electrode conductor is connected.
- This equipment must be located in the same immediate area (such as adjacent cabinets) as any other equipment that has a connection between the earthed conductor of the same DC supply circuit and the earthing conductor, and also the point of earthing of the DC system. The DC system must be earthed elsewhere.
- The DC supply source is to be located within the same premises as the equipment.
- Switching or disconnecting devices must not be in the earthed circuit conductor between the DC source and the point of connection of the earthing electrode conductor.



## HPE 800W Flex Slot Scalable Persistent Memory Power Supply

Specification	Value
<b>Input requirements</b>	
Rated input voltage	100 VAC to 127 VAC
	200 VAC to 240 VAC
	240 VDC for China only
Rated input frequency	50 Hz to 60 Hz
	Not applicable to 240 VDC
Rated input current	5.8 A at 100 VAC
	4.5 A at 200 VAC
	3.8 A at 240 VDC for China only
Maximum rated input power	580 W at 100 VAC
	900 W at 200 VAC
	912 W at 240 VDC for China only
BTUs per hour	1,979 at 100 VAC
	3,071 at 240 VAC
	3,112 at 240 VDC for China only
<b>Power supply output</b>	
Rated steady-state power	500 W at 100 VAC to 127 VAC input
	800 W at 200 VAC to 240 VAC input
	800 W at 240 VDC input for China only
Maximum peak power	500 W at 90 VAC to 132 VAC input
	800 W at 180 VAC to 264 VAC input
	800 W at 240 VDC input for China only



## HPE 1600 W Flex Slot Platinum Hot-plug Low Halogen Power Supply

Specification	Value
<b>Input requirements</b>	—
Rated input voltage	200 VAC to 240 VAC 240 VDC for China only
Rated input frequency	50 Hz to 60 Hz
Rated input current	8.7 A at 200 VAC 7.2 A at 240 VAC
Maximum rated input power	1734 W at 200 VAC 1725 W at 240 VAC
BTUs per hour	5918 at 200 VAC 5884 at 240 VAC
<b>Power supply output</b>	—
Rated steady-state power	1600 W at 200 VAC to 240 VAC input 1600 W at 240 VDC input
Maximum peak power	2200 W for 1 ms (turbo mode) at 200 VAC to 240 VAC input



# Support and other resources

## Accessing Hewlett Packard Enterprise Support

- For live assistance, go to the Contact Hewlett Packard Enterprise Worldwide website:  
<https://www.hpe.com/info/assistance>
- To access documentation and support services, go to the Hewlett Packard Enterprise Support Center website:  
<https://www.hpe.com/support/hpesc>

### Information to collect

- Technical support registration number (if applicable)
- Product name, model or version, and serial number
- Operating system name and version
- Firmware version
- Error messages
- Product-specific reports and logs
- Add-on products or components
- Third-party products or components

## Accessing updates

- Some software products provide a mechanism for accessing software updates through the product interface. Review your product documentation to identify the recommended software update method.
- To download product updates:

### Hewlett Packard Enterprise Support Center

<https://www.hpe.com/support/hpesc>

### Hewlett Packard Enterprise Support Center: Software downloads

<https://www.hpe.com/support/downloads>

### My HPE Software Center

<https://www.hpe.com/software/hpesoftwarecenter>

- To subscribe to eNewsletters and alerts:  
<https://www.hpe.com/support/e-updates>
- To view and update your entitlements, and to link your contracts and warranties with your profile, go to the Hewlett Packard Enterprise Support Center **More Information on Access to Support Materials** page:  
<https://www.hpe.com/support/AccessToSupportMaterials>





---

**IMPORTANT:** Access to some updates might require product entitlement when accessed through the Hewlett Packard Enterprise Support Center. You must have an HPE Passport set up with relevant entitlements.

---

## Customer self repair

Hewlett Packard Enterprise customer self repair (CSR) programs allow you to repair your product. If a CSR part needs to be replaced, it will be shipped directly to you so that you can install it at your convenience. Some parts do not qualify for CSR. Your Hewlett Packard Enterprise authorized service provider will determine whether a repair can be accomplished by CSR.

For more information about CSR, contact your local service provider.

## Remote support

Remote support is available with supported devices as part of your warranty or contractual support agreement. It provides intelligent event diagnosis, and automatic, secure submission of hardware event notifications to Hewlett Packard Enterprise, which will initiate a fast and accurate resolution based on your product's service level. Hewlett Packard Enterprise strongly recommends that you register your device for remote support.

If your product includes additional remote support details, use search to locate that information.

### Remote support and Proactive Care information

#### HPE Get Connected

<https://www.hpe.com/services/getconnected>

#### HPE Proactive Care services

<https://www.hpe.com/services/proactivecare>

#### HPE Datacenter Care services

<https://www.hpe.com/services/datacentercare>

#### HPE Proactive Care service: Supported products list

<https://www.hpe.com/services/proactivecaresupportedproducts>

#### HPE Proactive Care advanced service: Supported products list

<https://www.hpe.com/services/proactivecareadvancedsupportedproducts>

### Proactive Care customer information

#### Proactive Care central

<https://www.hpe.com/services/proactivecarecentral>

#### Proactive Care service activation

<https://www.hpe.com/services/proactivecarecentralgetstarted>

## Warranty information

To view the warranty information for your product, see the links provided below:

### HPE ProLiant and IA-32 Servers and Options

<https://www.hpe.com/support/ProLiantServers-Warranties>

### HPE Enterprise and Cloudline Servers

<https://www.hpe.com/support/EnterpriseServers-Warranties>

### HPE Storage Products

<https://www.hpe.com/support/Storage-Warranties>



## HPE Networking Products

<https://www.hpe.com/support/Networking-Warranties>

# Regulatory information

To view the regulatory information for your product, view the *Safety and Compliance Information for Server, Storage, Power, Networking, and Rack Products*, available at the Hewlett Packard Enterprise Support Center:

<https://www.hpe.com/support/Safety-Compliance-EnterpriseProducts>

### Additional regulatory information

Hewlett Packard Enterprise is committed to providing our customers with information about the chemical substances in our products as needed to comply with legal requirements such as REACH (Regulation EC No 1907/2006 of the European Parliament and the Council). A chemical information report for this product can be found at:

<https://www.hpe.com/info/reach>

For Hewlett Packard Enterprise product environmental and safety information and compliance data, including RoHS and REACH, see:

<https://www.hpe.com/info/ecodata>

For Hewlett Packard Enterprise environmental information, including company programs, product recycling, and energy efficiency, see:

<https://www.hpe.com/info/environment>

# Documentation feedback

Hewlett Packard Enterprise is committed to providing documentation that meets your needs. To help us improve the documentation, send any errors, suggestions, or comments to Documentation Feedback ([docsfeedback@hpe.com](mailto:docsfeedback@hpe.com)). When submitting your feedback, include the document title, part number, edition, and publication date located on the front cover of the document. For online help content, include the product name, product version, help edition, and publication date located on the legal notices page.

